



# WAPS-232N Installation Guide

## RFID IOT Access Point

(Date: 12/10/2015)

*Gemtek Technology Co., Ltd. Confidential information*

This document contains confidential and/or proprietary information of Gemtek Technology Co., Ltd. and shall not be, directly or indirectly, reproduced or copied in any manner without the written consent of Gemtek Technology Co., Ltd.



**Outline:**

1	Application .....	4
2	Product Overview .....	4
	2.1 Enclosure Features .....	5
	2.2 Power-Over-Ethernet (PoE) .....	5
3	Installation .....	6
	3.1 Professional Installation .....	6
	3.2 Mounting .....	6
	3.3 Cabling .....	6
	3.4 LED Indicators .....	6
4	Antenna Parameters .....	7
5	Appendix .....	7

**Tables:**

N/A

## 1 Application

This document is to describe the installation procedure and application of the RFID IOT Access Point.

Project Code : WAPS-232N\_AS

## 2 Product Overview

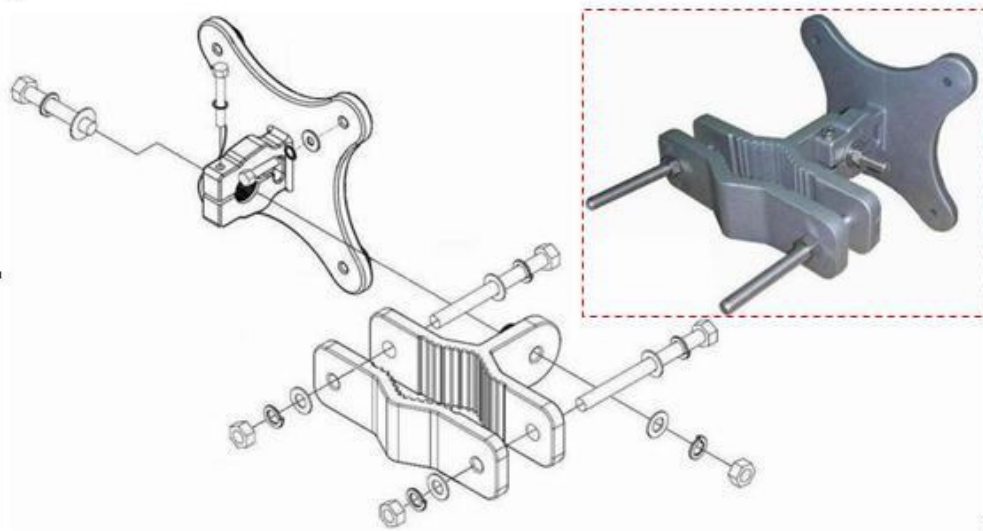
The RFID IOT Access Point is one of many access points in our wireless IOT solution. Each RFID IOT Access Point can support tens of thousands of our IOT nodes. Our node is designed to interface to electric meter or an industrial PC that acts as a concentrator for collecting meter readings. The interface is based on RS-485. The Node will forward data from the meter or IPC to the RFID IOT Access Points covering the area, which in turn send the data to the cloud server where data can be analyze and used for billing purpose.



## 2.1 Enclosure Features

The RFID IOT Access Point is designed to be mounted on a mounting pole. It comes with mount kit as shown here:

- Step 1 Assemble the supplied mount kit as shown below. The mount kit is made of two parts, mast holder and base. Assemble the mast holder first and combine these two parts. All the screws and nuts must be locked tightly and securely.



## 2.2 Power-Over-Ethernet (PoE)

A CAT5 PoE interface is used to split the Data and Power carried by a CAT5 cable to the internal equipment. To supply the required current to the equipment, the PoE adapter that comes in the package should be used.





## 4 Antenna Parameters

This device has been tested with the antenna listed below, and has a peak gain of 0 dBi. The required antenna impedance is 50 ohms.

**Table 1 Typical Antenna**

<b>Manufacturer</b>	<b>Part Number</b>	<b>Gain</b>	<b>Type</b>
TSKY Co., Ltd.	A8-A003-00108	-0.4	Dipole
TSKY Co., Ltd.	A8-A003-00109	1.38	Dipole

Additional equivalent antennas from other manufactures may be substituted and then marketed with this equipment. Equivalent antennas must be of the same type (e.g. Omni-Directional) and must be for 915 MHz band and have same out of band characteristics.

## 5 Appendix

---

### FCC Statement

---

#### **Federal Communication Commission Interference Statement**

This equipment has been tested and found to comply with the limits for a Class B digital device, pursuant to Part 15 of the FCC Rules. These limits are designed to provide reasonable protection against harmful interference in a residential installation. This equipment generates, uses and can radiate radio frequency energy and, if not installed and used in accordance with the instructions, may cause harmful interference to radio communications. However, there is no guarantee that interference will not occur in a particular installation. If this equipment does cause harmful interference to radio or television reception, which can be determined by turning the equipment off and on, the user is encouraged to try to correct the interference by one of the following measures:

- Reorient or relocate the receiving antenna.
- Increase the separation between the equipment and receiver.
- Connect the equipment into an outlet on a circuit different from that to which the receiver is connected.
- Consult the dealer or an experienced radio/TV technician for help.

FCC Caution: Any changes or modifications not expressly approved by the party responsible for compliance could void the user's authority to operate this equipment.

This device complies with Part 15 of the FCC Rules. Operation is subject to the following two conditions: (1) This device may not cause harmful interference, and (2) this device must accept any interference received, including interference that may cause undesired operation.

**IMPORTANT NOTE:****Radiation Exposure Statement:**

This equipment complies with FCC radiation exposure limits set forth for an uncontrolled environment. This equipment should be installed and operated with minimum distance **20cm** between the radiator & your body.

This transmitter must not be co-located or operating in conjunction with any other antenna or transmitter.

Country Code selection feature to be disabled for products marketed to the US/CANADA.

**Professional installation instruction**

The product will be distributed through controlled distribution channel and installed by trained professional and will not be sold directly to the general public through retail store.

**1. Installation personal**

This product is designed for specific application and needs to be installed by a qualified personal who has RF and related rule knowledge. The general user shall not attempt to install or change the setting.

**2. Installation location**

The product shall be installed at a location where the radiating antenna can be kept **20cm** from nearby person in normal operation condition to meet regulatory RF exposure requirement.

**3. External antenna**

Use only the antennas which have been approved by the applicant. The non-approved antenna(s) may produce unwanted spurious or excessive RF transmitting power which may lead to the violation of FCC limit and is prohibited.

**4. Installation procedure**

Please refer to user's manual for the detail.

**5. Warning**

Please carefully select the installation position and make sure that the final output power does not exceed the limit set force in relevant rules. The violation of the rule could lead to serious federal penalty.