



SAR TEST REPORT

REPORT NO.: SA950728L13

MODEL NO.: WUBR-185G (refer to page 4 for other models)

RECEIVED: Sep. 25, 2006

TESTED: Nov. 02, 2006

ISSUED: Nov. 06, 2006

APPLICANT : Gemtek Technology Co., Ltd.

ADDRESS : No.1, Jen Ai Road, Hsinchu Industrial Park, Hukou
Hsinchu, Taiwan, R.O.C. 303

ISSUED BY: Advance Data Technology Corporation

LAB ADDRESS: No.47, 14th Ling, Chia Pau Tsuen, Linko Hsiang 244,
Taipei Hsien, Taiwan, R.O.C.

TEST LOCATION: No. 19, Hwa Ya 2nd Rd, Wen Hwa Tsuen, Kwei Shan
Hsiang, Taoyuan Hsien 333, Taiwan, R.O.C.

This test report consists of 39 pages in total except Appendix. It may be duplicated completely for legal use with the approval of the applicant. It should not be reproduced except in full, without the written approval of our laboratory. The client should not use it to claim product endorsement by CNLA, A2LA or any government agencies. The test results in the report only apply to the tested sample.





TABLE OF CONTENTS

1.	CERTIFICATION.....	3
2.	GENERAL INFORMATION.....	4
2.1	GENERAL DESCRIPTION OF EUT	4
2.2	GENERAL DESCRIPTION OF APPLIED STANDARDS	4
2.3	GENERAL INFORMATION OF THE SAR SYSTEM.....	6
2.4	GENERAL DESCRIPTION OF THE SPATIAL PEAK SAR EVALUATION	9
3.	DESCRIPTION OF SUPPORT UNITS.....	13
4.	DESCRIPTION OF TEST MODES AND CONFIGURATIONS	14
4.1.	DESCRIPTION OF ANTENNA LOCATION.....	14
4.2.	DESCRIPTION OF ASSESSMENT POSITION	15
4.3.	DESCRIPTION OF TEST MODE	16
4.4.	SUMMARY OF TEST RESULTS.....	16
5.	TEST RESULTS.....	17
5.1	TEST PROCEDURES	17
5.2	MEASURED SAR RESULTS.....	19
5.3	SAR LIMITS	23
5.4	RECIPES FOR TISSUE SIMULATING LIQUIDS.....	24
5.5	TEST EQUIPMENT FOR TISSUE PROPERTY	26
6.	SYSTEM VALIDATION	27
6.1	TEST EQUIPMENT	27
6.2	TEST PROCEDURE.....	28
6.3	VALIDATION RESULTS.....	30
6.4	SYSTEM VALIDATION UNCERTAINTIES	31
7.	MEASUREMENT SAR PROCEDURE UNCERTAINTIES.....	32
7.1.	PROBE CALIBRATION UNCERTAINTY	32
7.2.	ISOTROPY UNCERTAINTY.....	33
7.3.	BOUNDARY EFFECT UNCERTAINTY	33
7.4.	PROBE LINEARITY UNCERTAINTY	34
7.5.	READOUT ELECTRONICS UNCERTAINTY	34
7.6.	RESPONSE TIME UNCERTAINTY	34
7.7.	INTEGRATION TIME UNCERTAINTY.....	35
7.8.	PROBE POSITIONER MECHANICAL TOLERANCE.....	36
7.9.	PROBE POSITIONING.....	36
7.10.	PHANTOM UNCERTAINTY.....	37
7.11.	DASY4 UNCERTAINTY BUDGET	38
8.	INFORMATION ON THE TESTING LABORATORIES	39
	APPENDIX A: TEST CONFIGURATIONS AND TEST DATA	
	APPENDIX B: ADT SAR MEASUREMENT SYSTEM	
	APPENDIX C: PHOTOGRAPHS OF SYSTEM VALIDATION	
	APPENDIX D: SYSTEM CERTIFICATE & CALIBRATION	



1. CERTIFICATION

PRODUCT: USB XR Wireless Adapter

MODEL NO.: WUBR-185G (refer to page 4 for other models)

BRAND: Gemtek

APPLICANT: Gemtek Technology Co., Ltd.

TESTED : Nov. 02, 2006

TEST SAMPLE: ENGINEERING SAMPLE

STANDARDS: FCC Part 2 (Section 2.1093), RSS-102
FCC OET Bulletin 65, Supplement C (01-01)

The above equipment have been tested by **Advance Data Technology Corporation**, and found compliance with the requirement of the above standards. The test record, data evaluation & Equipment Under Test (EUT) configurations represented herein are true and accurate accounts of the measurements of the sample's EMC characteristics under the conditions specified in this report.

PREPARED BY : Andrea Hsia , **DATE:** Nov. 06, 2006
Andrea Hsia

TECHNICAL ACCEPTANCE : Stanely Hsu , **DATE:** Nov. 06, 2006
Responsible for RF Stanely Hsu

APPROVED BY : Gary Chang , **DATE:** Nov. 06, 2006
Gary Chang / Supervisor



2. GENERAL INFORMATION

2.1 GENERAL DESCRIPTION OF EUT

PRODUCT	USB XR Wireless Adapter
MODEL NO.	WUBR-185G (refer to Note 1 as below for other models)
FCC ID	MXF-U950908G
POWER SUPPLY	5Vdc from host equipment
CLASSIFICATION	Portable device, production unit
MODULATION TYPE	CCK, DQPSK, DBPSK for DSSS, 64QAM, 16QAM, QPSK, BPSK for OFDM
RADIO TECHNOLOGY	DSSS, OFDM
TRANSFER RATE	802.11b: 11/ 5.5/ 2/ 1Mbps 802.11g: 54/ 48/ 36/ 24/ 18/ 12/ 9/ 6Mbps
FREQUENCY RANGE	2412MHz ~ 2462MHz
NUMBER OF CHANNEL	11
CHANNEL FREQUENCIES UNDER TEST AND ITS CONDUCTED OUTPUT POWER	802.11b: 114.025mW / Ch1: 2412MHz 112.202mW / Ch6: 2437MHz 114.025mW / Ch11: 2462MHz 802.11g: 89.331mW / Ch1: 2412MHz 89.743mW / Ch6: 2437MHz 89.331mW / Ch11: 2462MHz
AVERAGE SAR (1g)	0.594W/kg
ANTENNA TYPE	Printed antenna with 0dBi gain
I/O PORTS	USB
DATA CABLE	0.23m shielded USB cable without core

NOTE:

1. The models as below are identical to each other except for the model and brand names due to marketing requirement.

Brand Name	Model Name
Gemtek	WUBR-185G
Airlink101	AWLL5026

2. The EUT complies with IEEE 802.11g standards and backwards compatible with IEEE 802.11b products.
3. The property of the EUT shall be complied with the portable device according to the FCC 2.1093.
4. The above EUT information was declared by manufacturer and for more detailed features description, please refer to the manufacturer's specifications or User's Manual.



2.2 GENERAL DESCRIPTION OF APPLIED STANDARDS

According to the specifications of the manufacturer, this product must comply with the requirements of the following standards:

FCC Part 2 (2.1093)

FCC OET Bulletin 65, Supplement C (01- 01)

RSS-102

IEEE 1528-2003

All test items have been performed and recorded as per the above standards.



2.3 GENERAL INFORMATION OF THE SAR SYSTEM

DASY4 (software 4.7 Build 44) consists of high precision robot, probe alignment sensor, phantom, robot controller, controlled measurement server and near-field probe. The robot includes six axes that can move to the precision position of the DASY4 software defined. The DASY4 software can define the area that is detected by the probe. The robot is connected to controlled box. Controlled measurement server is connected to the controlled robot box. The DAE includes amplifier, signal multiplexing, AD converter, offset measurement and surface detection. It is connected to the Electro-optical coupler (ECO). The ECO performs the conversion from the optical into digital electric signal of the DAE and transfers data to the PC.

ET3DV6 ISOTROPIC E-FIELD PROBE

CONSTRUCTION	Symmetrical design with triangular core. Built-in optical fiber for surface detection system. Built-in shielding against static charges. PEEK enclosure material (resistant to organic solvents, e.g., glycolether).
FREQUENCY	10MHz to 3GHz; Linearity: ± 0.2 dB (30MHz to 3GHz)
DYNAMIC RANGE	5 μ W/g to > 100mW/g; Linearity: ± 0.2 dB
OPTICAL SURFACE DETECTION	± 0.2 mm repeatability in air and clear liquids over diffuse reflecting surfaces
DIMENSIONS	Overall length: 330mm (Tip Length: 16mm) Tip diameter: 6.8mm (Body diameter: 12mm) Distance from probe tip to dipole centers: 2.7mm
APPLICATION	General dosimetric measurements up to 3GHz Compliance tests of mobile phones Fast automatic scanning in arbitrary phantoms (ET3DV6)

NOTE

1. The Probe parameters have been calibrated by the SPEAG. Please reference "APPENDIX D" for the Calibration Certification Report.
2. For frequencies above 800MHz, calibration in a rectangular wave-guide is used, because wave-guide size is manageable.
3. For frequencies below 800MHz, temperature transfer calibration is used because the wave-guide size becomes relatively large.



TWIN SAM V4.0

CONSTRUCTION The shell corresponds to the specifications of the Specific Anthropomorphic Mannequin (SAM) phantom defined in IEEE 1528-2003, CENELEC 50361 and IEC 62209. It enables the dosimetric evaluation of left and right hand phone usage as well as body mounted usage at the flat phantom region. A cover prevents evaporation of the liquid. Reference markings on the phantom allow the complete setup of all predefined phantom positions and measurement grids by manually teaching three points with the robot.

SHELL THICKNESS 2 ± 0.2mm

FILLING VOLUME Approx. 25liters

DIMENSIONS Height: 810mm; Length: 1000mm; Width: 500mm

SYSTEM VALIDATION KITS:

CONSTRUCTION Symmetrical dipole with 1/4 balun enables measurement of feedpoint impedance with NWA matched for use near flat phantoms filled with brain simulating solutions. Includes distance holder and tripod adaptor

CALIBRATION Calibrated SAR value for specified position and input power at the flat phantom in brain simulating solutions

FREQUENCY 2450MHz

RETURN LOSS > 20dB at specified validation position

POWER CAPABILITY > 100W (f < 1GHz); > 40W (f > 1GHz)

OPTIONS Dipoles for other frequencies or solutions and other calibration conditions upon request

DEVICE HOLDER FOR SAM TWIN PHANTOM

CONSTRUCTION

The device holder for the mobile phone device is designed to cope with different positions given in the standard. It has two scales for the device rotation (with respect to the body axis) and the device inclination (with respect to the line between the ear reference points). The rotation centers for both scales is the ear reference point (ERP). Thus the device needs no repositioning when changing the angles. The holder has been made out of low-loss POM material having the following dielectric parameters: relative permittivity $\epsilon = 3$ and loss tangent $\tan \delta = 0.02$. The amount of dielectric material has been reduced in the closest vicinity of the device, since measurements have suggested that the influence of the clamp on the test results could thus be lowered. The device holder for the portable device makes up of the polyethylene foam. The dielectric parameters of material close to the dielectric parameters of the air.

DATA ACQUISITION ELECTRONICS

CONSTRUCTION

The data acquisition electronics (DAE3) consists of a highly sensitive electrometer grade preamplifier with auto-zeroing, a channel and gain-switching multiplex, a fast 16 bit AD converter and a command decoder and control logic unit. Transmission to the measurement server is accomplished through an optical downlink for data and status information as well as an optical uplink for commands and the clock. The mechanical probe is mounting device includes two different sensor systems for frontal and sideways probe contacts. They are used for mechanical surface detection and probe collision detection. The input impedance of the DAE3 box is 200M Ω ; the inputs are symmetrical and floating. Common mode rejection is above 80 dB.

2.4 GENERAL DESCRIPTION OF THE SPATIAL PEAK SAR EVALUATION

The DASY4 post-processing software (SEMCAD) automatically executes the following procedures to calculate the field units from the micro-volt readings at the probe connector. The parameters used in the evaluation are stored in the configuration modules of the software:

Probe parameters:	- Sensitivity	Norm _i , a _{i0} , a _{i1} , a _{i2}
	- Conversion factor	ConvF _i
	- Diode compression point	dcp _i
Device parameters:	- Frequency	F
	- Crest factor	Cf
Media parameters:	- Conductivity	
	- Density	

The first step of the evaluation is a linearization of the filtered input signal to account for the compression characteristics of the detector diode. The compensation depends on the input signal, the diode type and the DC-transmission factor from the diode to the evaluation electronics. If the exciting field is pulsed, the crest factor of the signal must be known to correctly compensate for peak power. The formula for each channel can be given as:

$$V_i = U_i + U_i^2 \cdot \frac{cf}{dcp_i}$$

V _i	=compensated signal of channel i	(i = x, y, z)
U _i	=input signal of channel I	(i = x, y, z)
Cf	=crest factor of exciting field	(DASY parameter)
dcp _i	=diode compression point	(DASY parameter)

From the compensated input signals the primary field data for each channel can be evaluated:

$$\text{E-field probes: } E_i = \sqrt{\frac{V_i}{\text{Norm}_i \cdot \text{ConvF}}}$$

$$\text{H-field probes: } H_i = \sqrt{V_i} \cdot \frac{a_{i0} + a_{i1}f + a_{i2}f^2}{f}$$

V_i	=compensated signal of channel I	(i = x, y, z)
Norm_i	=sensor sensitivity of channel i $\mu\text{V}/(\text{V/m})^2$ for E-field Probes	(i = x, y, z)
ConvF	= sensitivity enhancement in solution	
a_{ij}	= sensor sensitivity factors for H-field probes	
F	= carrier frequency [GHz]	
E_i	= electric field strength of channel i in V/m	
H_i	= magnetic field strength of channel i in A/m	

The RSS value of the field components gives the total field strength (Hermitian magnitude):

$$E_{tot} = \sqrt{E_x^2 + E_y^2 + E_z^2}$$

The primary field data are used to calculate the derived field units.

$$SAR = E_{tot}^2 \cdot \frac{\mathbf{s}}{\mathbf{r} \cdot 1'000}$$

SAR	= local specific absorption rate in mW/g
E_{tot}	= total field strength in V/m
	= conductivity in [mho/m] or [Siemens/m]
	= equivalent tissue density in g/cm ³



Note that the density is set to 1, to account for actual head tissue density rather than the density of the tissue simulating liquid. The entire evaluation of the spatial peak values is performed within the Post-processing engine (SEMCAD). The system always gives the maximum values for the 1g and 10g cubes. The algorithm to find the cube with highest averaged SAR is divided into the following stages:

1. The extraction of the measured data (grid and values) from the Zoom Scan
2. The calculation of the SAR value at every measurement point based on all stored data (A/D values and measurement parameters)
3. The generation of a high-resolution mesh within the measured volume
4. The interpolation of all measured values from the measurement grid to the high-resolution grid
5. The extrapolation of the entire 3-D field distribution to the phantom surface over the distance from sensor to surface
6. The calculation of the averaged SAR within masses of 1g and 10g.

The probe is calibrated at the center of the dipole sensors that is located 1 to 2.7mm away from the probe tip. During measurements, the probe stops shortly above the phantom surface, depending on the probe and the surface detecting system. Both distances are included as parameters in the probe configuration file. The software always knows exactly how far away the measured point is from the surface. As the probe cannot directly measure at the surface, the values between the deepest measured point and the surface must be extrapolated. The angle between the probe axis and the surface normal line is less than 30 degree.

In the Area Scan, the gradient of the interpolation function is evaluated to find all the extreme of the SAR distribution. The uncertainty on the locations of the extreme is less than 1/20 of the grid size. Only local maximum within -2dB of the global maximum are searched and passed for the Cube Scan measurement. In the Cube Scan, the interpolation function is used to extrapolate the Peak SAR from the lowest measurement points to the inner phantom surface (the extrapolation distance). The uncertainty increases with the extrapolation distance. To keep the uncertainty within 1% for the 1g and 10g cubes, the extrapolation distance should not be larger than 5mm.



The maximum search is automatically performed after each area scan measurement. It is based on splines in two or three dimensions. The procedure can find the maximum for most SAR distributions even with relatively large grid spacing. After the area scanning measurement, the probe is automatically moved to a position at the interpolated maximum. The following scan can directly use this position for reference, e.g., for a finer resolution grid or the cube evaluations. The 1g and 10g peak evaluations are only available for the predefined cube 7 x 7 x 7 scans. The routines are verified and optimized for the grid dimensions used in these cube measurements. The measured volume of 30 x 30 x 30mm contains about 30g of tissue. The first procedure is an extrapolation (incl. boundary correction) to get the points between the lowest measured plane and the surface. The next step uses 3D interpolation to get all points within the measured volume in a 1mm grid (42875 points). In the last step, a 1g cube is placed numerically into the volume and its averaged SAR is calculated. This cube is moved around until the highest averaged SAR is found. If the highest SAR is found at the edge of the measured volume, the system will issue a warning: higher SAR values might be found outside of the measured volume. In that case the cube measurement can be repeated, using the new interpolated maximum as the center.



3. DESCRIPTION OF SUPPORT UNITS

The EUT has been tested as an independent unit together with other necessary accessories or support units. The following support units or accessories were used to form a representative test configuration during the tests.

NO.	PRODUCT	BRAND	MODEL NO.	SERIAL NO.	FCC ID
1	DELL Notebook	DELL	D600	CN-0G5152-48643-49C-8226	FCC DoC Approved
2	Notebook	Dell	PP01L	TW-0791UH-12800-13C-0219	FCC DoC Approved
3	Notebook	Compaq	N800C	470048-515	FCC DoC Approved
4	HP Notebook	HP	n6000	CNU3480WP2	FCC DoC Approved

NO.	SIGNAL CABLE DESCRIPTION OF THE ABOVE SUPPORT UNITS
1	NA
2	NA
3	NA
4	NA

NOTE: All power cords of the above support units are non shielded (1.8m).





4. DESCRIPTION OF TEST MODES AND CONFIGURATIONS

4.1. DESCRIPTION OF ANTENNA LOCATION



4.2. DESCRIPTION OF ASSESSMENT POSITION

The following test configurations have been applied in this test report:

	
<p>A: NOTEBOOK MODEL: D600</p> <p>The bottom of the EUT face to the phantom with 0mm-separation distance.</p>	<p>B: NOTEBOOK MODEL: n6000</p> <p>The bottom of the EUT face to the phantom with 0mm-separation distance.</p>
	
<p>C: NOTEBOOK MODEL: N800C</p> <p>The bottom of the EUT face to the phantom with 5mm-separation distance.</p>	<p>D: NOTEBOOK MODEL: PP01L</p> <p>The edge of the EUT face to the phantom with 5mm-separation distance.</p>

NOTE: The bottom of the notebook contacts the bottom of the flat phantom with 0mm-separation distance.

4.3. DESCRIPTION OF TEST MODE

TEST MODE	MODULATION TECHNOLOGY	ASSESSMENT POSITION	TESTED CHANNEL	REMARK
1	DSSS	A	1, 6, 11	-
2	OFDM	A	1, 6, 11	-
3	DSSS	B	1, 6, 11	-
4	OFDM	B	1, 6, 11	-
5	DSSS	C	1, 6, 11	-
6	OFDM	C	1, 6, 11	-
7	DSSS	D	1, 6, 11	-
8	OFDM	D	1, 6, 11	-

4.4. SUMMARY OF TEST RESULTS

COMMUNICATION MODE	DSSS				OFDM			
	MEASURED VALUE OF 1g SAR (W/kg)							
	ASSESSMENT POSITION				ASSESSMENT POSITION			
CHANNEL	A	B	C	D	A	B	C	D
LOW	0.491	0.491	0.387	0.258	0.197	0.200	0.149	0.103
MIDDLE	0.487	0.476	0.341	0.236	0.197	0.194	0.135	0.098
HIGH	0.594	0.568	0.410	0.293	0.216	0.230	0.159	0.116

NOTE: The worst value has been marked by boldface.

5. TEST RESULTS

5.1 TEST PROCEDURES

The EUT (USB XR Wireless Adapter) plugged into the PC. Use the software to control the EUT channel and transmission power. Then record the conducted power before the testing. Place the EUT to the specific test location. After the testing, must writing down the conducted power of the EUT into the report. The SAR value was calculated via the 3D spline interpolation algorithm that has been implemented in the software of DASY4 SAR measurement system manufactured and calibrated by SPEAG. According to the IEEE 1528 standards, the recommended procedure for assessing the peak spatial-average SAR value consists of the following steps:

- Power reference measurement
- Verification of the power reference measurement
- Area scan
- Zoom scan
- Power reference measurement

The area scan was performed for the highest spatial SAR location. The zoom scan with 30mm x 30mm x 30mm volume was performed for SAR value averaged over 1g and 10g spatial volumes.

In the zoom scan, the distance between the measurement point at the probe sensor location (geometric center behind the probe tip) and the phantom surface is 4.0mm and maintained at a constant distance of ± 1.0 mm during a zoom scan to determine peak SAR locations. The distance is 4mm between the first measurement point and the bottom surface of the phantom. The secondary measurement point to the bottom surface of the phantom is with 9mm separation distance. The cube size is 7 x 7 x 7 points consist of 343 points and the grid space is 5mm.

The measurement time is 0.5s at each point of the zoom scan. The probe boundary effect compensation shall be applied during the SAR test. Because of the tip of the probe to the Phantom surface separated distances are longer than half a tip probe diameter.

In the area scan, the separation distance is 4mm between the each measurement point and the phantom surface. The scan size shall be included the transmission portion of the EUT. The measurement time is the same as the zoom scan. At last the reference power drift shall be less than $\pm 5\%$.

5.2 MEASURED SAR RESULTS

ENVIRONMENTAL CONDITION		Air Temperature : 22.3°C, Liquid Temperature : 21.1°C Humidity : 59%RH						
TESTED BY		Sam Onn			DATE		Nov. 02, 2006	
CHAN.	FREQ. (MHz)	TEST MODE	CONDUCTED POWER (mW)		POWER DRIFT (%)	DEVICE USE POWER	TEST MODE ITEM	MEASURED 1g SAR (W/kg)
			BEGIN TEST	AFTER TEST				
1	2412.0 (Low)	DSSS	114.025	113.603	-0.37	Host	1	0.491
6	2437.0 (Mid.)	DSSS	112.202	111.551	-0.58	Host	1	0.487
11	2462.0 (High)	DSSS	114.025	113.136	-0.78	Host	1	0.594
1	2412.0 (Low)	OFDM	89.331	89.054	-0.31	Host	2	0.197
6	2437.0 (Mid.)	OFDM	89.743	89.178	-0.63	Host	2	0.197
11	2462.0 (High)	OFDM	89.331	88.661	-0.75	Host	2	0.216

NOTE:

1. Test configuration of each mode is described in section 3.
2. In this testing, the limit for General Population Spatial Peak averaged over 1g, **1.6 W/kg**, is applied.
3. Please see the Appendix A for the data.
4. The variation of the EUT conducted power measured before and after SAR testing should not over 5%.

ENVIRONMENTAL CONDITION		Air Temperature : 22.3°C, Liquid Temperature : 21.1°C Humidity : 59%RH						
TESTED BY		Sam Onn			DATE		Nov. 02, 2006	
CHAN.	FREQ. (MHz)	TEST MODE	CONDUCTED POWER (mW)		POWER DRIFT (%)	DEVICE USE POWER	TEST MODE ITEM	MEASURED 1g SAR (W/kg)
			BEGIN TEST	AFTER TEST				
1	2412.0 (Low)	DSSS	114.025	113.295	-0.64	Host	3	0.491
6	2437.0 (Mid.)	DSSS	112.202	111.237	-0.86	Host	3	0.476
11	2462.0 (High)	DSSS	114.025	113.124	-0.79	Host	3	0.568
1	2412.0 (Low)	OFDM	89.331	89.018	-0.35	Host	4	0.200
6	2437.0 (Mid.)	OFDM	89.743	89.375	-0.41	Host	4	0.194
11	2462.0 (High)	OFDM	89.331	88.920	-0.46	Host	4	0.230

NOTE:

1. Test configuration of each mode is described in section 3.
2. In this testing, the limit for General Population Spatial Peak averaged over 1g, **1.6 W/kg**, is applied.
3. Please see the Appendix A for the data.
4. The variation of the EUT conducted power measured before and after SAR testing should not over 5%.

ENVIRONMENTAL CONDITION		Air Temperature : 22.3°C, Liquid Temperature : 21.1°C Humidity : 59%RH						
TESTED BY		Sam Onn			DATE		Nov. 02, 2006	
CHAN.	FREQ. (MHz)	TEST MODE	CONDUCTED POWER (mW)		POWER DRIFT (%)	DEVICE USE POWER	TEST MODE ITEM	MEASURED 1g SAR (W/kg)
			BEGIN TEST	AFTER TEST				
1	2412.0 (Low)	DSSS	114.025	113.261	-0.67	Host	5	0.387
6	2437.0 (Mid.)	DSSS	112.202	111.428	-0.69	Host	5	0.341
11	2462.0 (High)	DSSS	114.025	113.375	-0.57	Host	5	0.410
1	2412.0 (Low)	OFDM	89.331	89.036	-0.33	Host	6	0.149
6	2437.0 (Mid.)	OFDM	89.743	89.240	-0.56	Host	6	0.135
11	2462.0 (High)	OFDM	89.331	88.741	-0.66	Host	6	0.159

NOTE:

1. Test configuration of each mode is described in section 3.
2. In this testing, the limit for General Population Spatial Peak averaged over 1g, **1.6 W/kg**, is applied.
3. Please see the Appendix A for the data.
4. The variation of the EUT conducted power measured before and after SAR testing should not over 5%.

ENVIRONMENTAL CONDITION		Air Temperature : 22.3°C, Liquid Temperature : 21.1°C Humidity : 59%RH						
TESTED BY		Sam Onn			DATE		Nov. 02, 2006	
CHAN.	FREQ. (MHz)	TEST MODE	CONDUCTED POWER (mW)		POWER DRIFT (%)	DEVICE USE POWER	TEST MODE ITEM	MEASURED 1g SAR (W/kg)
			BEGIN TEST	AFTER TEST				
1	2412.0 (Low)	DSSS	114.025	113.615	-0.36	Host	7	0.258
6	2437.0 (Mid.)	DSSS	112.202	111.663	-0.48	Host	7	0.236
11	2462.0 (High)	DSSS	114.025	113.500	-0.46	Host	7	0.293
1	2412.0 (Low)	OFDM	89.331	88.965	-0.41	Host	8	0.103
6	2437.0 (Mid.)	OFDM	89.743	89.222	-0.58	Host	8	0.098
11	2462.0 (High)	OFDM	89.331	88.741	-0.66	Host	8	0.116

NOTE:

1. Test configuration of each mode is described in section 3.
2. In this testing, the limit for General Population Spatial Peak averaged over 1g, **1.6 W/kg**, is applied.
3. Please see the Appendix A for the data.
4. The variation of the EUT conducted power measured before and after SAR testing should not over 5%.

5.3 SAR LIMITS

HUMAN EXPOSURE	SAR (W/kg)	
	(GENERAL POPULATION / UNCONTROLLED EXPOSURE ENVIRONMENT)	(OCCUPATIONAL / CONTROLLED EXPOSURE ENVIRONMENT)
Spatial Average (whole body)	0.08	0.4
Spatial Peak (averaged over 1 g)	1.6	8.0
Spatial Peak (hands / wrists / feet / ankles averaged over 10 g)	4.0	20.0

NOTE:

1. This limits accord to 47 CFR 2.1093 – Safety Limit.
2. The EUT property been complied with the partial body exposure limit under the general population environment.

5.4 RECIPES FOR TISSUE SIMULATING LIQUIDS

For the measurement of the field distribution inside the SAM phantom, the phantom must be filled with 25 liters of tissue simulation liquid.

The following ingredients are used :

- **WATER-** Deionized water (pure H₂O), resistivity $\approx 16 \text{ M}$ - as basis for the liquid
- **SUGAR-** Refined sugar in crystals, as available in food shops- to reduce relative permittivity
- **SALT-** Pure NaCl - to increase conductivity
- **CELLULOSE-** Hydroxyethyl-cellulose, medium viscosity (75-125mPa.s, 2% in water, 20_C),
CAS # 54290 - to increase viscosity and to keep sugar in solution
- **PRESERVATIVE-** Preventol D-7 Bayer AG, D-51368 Leverkusen, CAS # 55965-84-9 - to prevent the spread of bacteria and molds
- **DGMBE-** Diethylenglycol-monobuthyl ether (DGMBE), Fluka Chemie GmbH, CAS # 112-34-5 - to reduce relative permittivity

THE RECIPES FOR 2450MHz SIMULATING LIQUID TABLE

INGREDIENT	HEAD SIMULATING LIQUID 2450MHz (HSL-2450)	MUSCLE SIMULATING LIQUID 2450MHz (MSL-2450)
Water	45%	69.83%
DGMBE	55%	30.17%
Salt	NA	NA
Dielectric Parameters at 22	f= 2450MHz $\epsilon = 39.2 \pm 5\%$ s= $1.80 \pm 5\%$ S/m	f= 2450MHz $\epsilon = 52.7 \pm 5\%$ s= $1.95 \pm 5\%$ S/m



Testing the liquids using the Agilent Network Analyzer E8358A and Agilent Dielectric Probe Kit 85070D. The testing procedure is following as

1. Turn Network Analyzer on and allow at least 30min. warm up.
2. Mount dielectric probe kit so that interconnecting cable to Network Analyzer will not be moved during measurements or calibration.
3. Pour de-ionized water and measure water temperature ($\pm 1^\circ$).
4. Set water temperature in Agilent-Software (Calibration Setup).
5. Perform calibration.
6. Validate calibration with dielectric material of known properties (e.g. polished ceramic slab with >8mm thickness $\epsilon' = 10.0$, $\epsilon'' = 0.0$). If measured parameters do not fit within tolerance, repeat calibration (± 0.2 for ϵ' : ± 0.1 for ϵ'').
7. Conductivity can be calculated from ϵ'' by $s = \epsilon_0 \epsilon'' \omega$ [GHz] / 18.
8. Measure liquid shortly after calibration. Repeat calibration every hour.
9. Stir the liquid to be measured. Take a sample (~ 50ml) with a syringe from the center of the liquid container.
10. Pour the liquid into a small glass flask. Hold the syringe at the bottom of the flask to avoid air bubbles.
11. Put the dielectric probe in the glass flask. Check that there are no air bubbles in front of the opening in the dielectric probe kit.
12. Perform measurements.
13. Adjust medium parameters in DAS4 for the frequencies necessary for the measurements (' Setup Config' , select medium (e.g. Brain 900MHz) and press ' Option'-button.
14. Select the current medium for the frequency of the validation (e.g. Setup Medium Brain 900MHz).



FOR 2.4GHZ BAND SIMULATING LIQUID

LIQUID TYPE		HSL-2450		MSL-2450	
SIMULATING LIQUID TEMP.		NA		21.1	
TEST DATE		NA		Nov. 02, 2006	
TESTED BY		NA		Sam Onn	
FREQ. (MHz)	LIQUID PARAMETER	STANDARD VALUE	MEASUREMENT VALUE	STANDARD VALUE	MEASUREMENT VALUE
2412.0	Permittivity ()	NA	NA	52.75	54.00
2437.0		NA	NA	52.71	53.80
2450.0		NA	NA	52.70	53.80
2462.0		NA	NA	52.68	53.70
2412.0	Conductivity () S/m	NA	NA	1.913	1.930
2437.0		NA	NA	1.937	1.950
2450.0		NA	NA	1.950	1.970
2462.0		NA	NA	1.967	1.990
Dielectric Parameters Required at 22		f= 2450MHz $\epsilon = 39.2 \pm 5\%$ $s = 1.80 \pm 5\%$ S/m		f= 2450MHz $\epsilon = 52.7 \pm 5\%$ $s = 1.95 \pm 5\%$ S/m	

5.5 TEST EQUIPMENT FOR TISSUE PROPERTY

ITEM	NAME	BAND	TYPE	SERIES NO.	CALIBRATED UNTIL
1	Network Analyzer	Agilent	E8358A	US41480538	Oct. 26, 2007
2	Dielectric Probe	Agilent	85070D	US01440176	NA

NOTE:

1. Before starting, all test equipment shall be warmed up for 30min.
2. The tolerance (k=1) specified by Agilent for general dielectric measurements, deriving from inaccuracies in the calibration data, analyzer drift, and random errors, are usually $\pm 2.5\%$ and $\pm 5\%$ for measured permittivity and conductivity, respectively. However, the tolerances for the conductivity is smaller for material with large loss tangents, i.e., less than $\pm 2.5\%$ (k=1). It can be substantially smaller if more accurate methods are applied.

6. SYSTEM VALIDATION

The system validation was performed in the flat phantom with equipment listed in the following table. Since the SAR value is calculated from the measured electric field, dielectric constant and conductivity of the body tissue, and the SAR is proportional to the square of the electric field. So, the SAR value will be also proportional to the RF power input to the system validation dipole under the same test environment. In our system validation test, 250mW RF input power was used.

6.1 TEST EQUIPMENT

ITEM	NAME	BAND	TYPE	SERIES NO.	CALIBRATED UNTIL
1	SAM Phantom	S & P	QD000 P40 CA	PT-1150	NA
2	Signal Generator	Agilent	E8257C	MY43320668	Dec. 07, 2006
3	E-Field Probe	S & P	ET3DV4	3578	Mar. 19, 2007
4	DAE	S & P	DAE3 V1	579	Mar. 14, 2007
5	Robot Positioner	Staubli Unimation	NA	NA	NA
6	Validation Dipole	S & P	D2450V2	737	Apr. 26, 2007

NOTE: Before starting the measurement, all test equipment shall be warmed up for 30min.

6.2 TEST PROCEDURE

Before the system performance check, we need only to tell the system which components (probe, medium, and device) are used for the system performance check; the system will take care of all parameters. The dipole must be placed beneath the flat section of the SAM Twin Phantom with the correct distance holder in place. The distance holder should touch the phantom surface with a light pressure at the reference marking (little cross) and be oriented parallel to the long side of the phantom. Accurate positioning is not necessary, since the system will search for the peak SAR location, except that the dipole arms should be parallel to the surface. The device holder for mobile phones can be left in place but should be rotated away from the dipole.

1. The "Power Reference Measurement" and "Power Drift Measurement" jobs are located at the beginning and end of the batch process. They measure the field drift at one single point in the liquid over the complete procedure. The indicated drift is mainly the variation of the amplifier output power. If it is too high (above ± 0.1 dB), the system performance check should be repeated; some amplifiers have very high drift during warm-up. A stable amplifier gives drift results in the DASY system below ± 0.02 dB.
2. The "Surface Check" job tests the optical surface detection system of the DASY system by repeatedly detecting the surface with the optical and mechanical surface detector and comparing the results. The output gives the detecting heights of both systems, the difference between the two systems and the standard deviation of the detection repeatability. Air bubbles or refraction in the liquid due to separation of the sugar-water mixture gives poor repeatability (above ± 0.1 mm). In that case it is better to abort the system performance check and stir the liquid. The difference between the optical surface detection and the actual surface depends on the probe and is specified with each probe. (It does not depend on the surface reflectivity or the probe angle to the surface within $\pm 30^\circ$.) However, varying breaking indices of different liquid compositions might also influence the distance. If the indicated difference varies from the actual setting, the probe parameter "optical surface

3. The "Area Scan" job measures the SAR above the dipole on a plane parallel to the surface. It is used to locate the approximate location of the peak SAR. The proposed scan uses large grid spacing for faster measurement; due to the symmetric field, the peak detection is reliable. If a finer graphic is desired, the grid spacing can be reduced. Grid spacing and orientation have no influence on the SAR result.
4. The "Zoom Scan" job measures the field in a volume around the peak SAR value assessed in the previous "Area Scan" job (for more information see the application note on SAR evaluation).

About the validation dipole positioning uncertainty, the constant and low loss dielectric spacer is used to establish the correct distance between the top surface of the dipole and the bottom surface of the phantom, the error component introduced by the uncertainty of the distance between the liquid (i.e., phantom shell) and the validation dipole in the DASY4 system is less than ± 0.1 mm.

$$SAR_{tolerance} [\%] = 100 \times \left(\frac{(a + d)^2}{a^2} - 1 \right)$$

As the closest distance is 10mm, the resulting tolerance $SAR_{tolerance}[\%]$ is <2%.



6.3 VALIDATION RESULTS

SYSTEM VALIDATION TEST OF SIMULATING LIQUID					
FREQUENCY (MHz)	REQUIRED SAR (mW/g)	MEASURED SAR (mW/g)	DEVIATION (%)	SEPARATION DISTANCE	TESTED DATE
MSL2450	13.90 (1g)	13.50	-2.88	10mm	Nov. 02, 2006
TESTED BY	Sam Onn				

NOTE: Please see Appendix for the photo of system validation test.

6.4 SYSTEM VALIDATION UNCERTAINTIES

In the table below, the system validation uncertainty with respect to the analytically assessed SAR value of a dipole source as given in the IEEE 1528 standard is given. This uncertainty is smaller than the expected uncertainty for mobile phone measurements due to the simplified setup and the symmetric field distribution.

Error Description	Tolerance (±%)	Probability Distribution	Divisor	(C _i)		Standard Uncertainty (±%)		(v _i)
				(1g)	(10g)	(1g)	(10g)	
Measurement System								
Probe Calibration	4.8	Normal	1	1	1	4.8	4.8	
Axial Isotropy	4.7	Rectangular	3	1	1	2.7	2.7	
Hemispherical Isotropy	0	Rectangular	3	1	1	0	0	
Boundary effect	1.0	Rectangular	3	1	1	0.6	0.6	
Linearity	4.7	Rectangular	3	1	1	2.7	2.7	
System Detection Limit	1.0	Rectangular	3	1	1	0.6	0.6	
Readout Electronics	1.0	Normal	1	1	1	1.0	1.0	
Response Time	0	Rectangular	3	1	1	0	0	
Integration Time	0	Rectangular	3	1	1	0	0	
RF Ambient Conditions	3.0	Rectangular	3	1	1	1.7	1.7	
Probe Positioner	0.4	Rectangular	3	1	1	0.2	0.2	
Probe positioning	2.9	Rectangular	3	1	1	1.7	1.7	
Algorithms for Max. SAR Evaluation	1.0	Rectangular	3	1	1	0.6	0.6	
Dipole								
Dipole Axis to Liquid Distance	2.0	Rectangular	3	1	1	1.2	1.2	
Input power and SAR drift measurement	4.7	Rectangular	3	1	1	2.7	2.7	
Phantom and Tissue Parameters								
Phantom Uncertainty	4.0	Rectangular	3	1	1	2.3	2.3	
Liquid Conductivity (target)	5.0	Rectangular	3	0.64	0.43	1.8	1.2	
Liquid Conductivity (measurement)	2.5	Normal	1	0.64	0.43	1.6	1.1	
Liquid Permittivity (target)	5.0	Rectangular	3	0.6	0.49	1.7	1.4	
Liquid Permittivity (measurement)	2.5	Normal	1	0.6	0.49	1.5	1.2	
Combined Standard Uncertainty						8.4	8.1	
Coverage Factor for 95%						k _p =2		
Expanded Uncertainty (K=2)						16.8	16.2	

NOTE: About the system validation uncertainty assessment, please reference the section 7.

7. MEASUREMENT SAR PROCEDURE UNCERTAINTIES

The assessment of spatial peak SAR of the hand handheld devices is according to IEEE 1528. All testing situation shall be met below these requirements.

- The system is used by an experienced engineer who follows the manual and the guidelines taught during the training provided by SPEAG.
- The probe has been calibrated within the requested period and the stated uncertainty for the relevant frequency bands does not exceed 4.8% ($k=1$).
- The validation dipole has been calibrated within the requested period and the system performance check has been successful.
- The DAE unit has been calibrated within the within the requested period.
- The minimum distance between the probe sensor and inner phantom shell is selected to be between 4 and 5mm.
- The operational mode of the DUT is CW, CDMA, FDMA or TDMA (GSM, DCS, PCS, IS136 and PDC) and the measurement/integration time per point is >500 ms.
- The dielectric parameters of the liquid have been assessed using Agilent 85070D dielectric probe kit or a more accurate method.
- The dielectric parameters are within 5% of the target values.
- The DUT has been positioned as described in section 3.

7.1. PROBE CALIBRATION UNCERTAINTY

SPEAG conducts the probe calibration in compliance with international and national standards (e.g. IEEE 1528, EN50361, IEC 62209, etc.) under ISO17025. The uncertainties are stated on the calibration certificate. For the most relevant frequency bands, these values do not exceed 4.8% ($k=1$). If evaluations of other bands are performed for which the uncertainty exceeds these values, the uncertainty tables given in the summary have to be revised accordingly.

7.2. ISOTROPY UNCERTAINTY

The axial isotropy tolerance accounts for probe rotation around its axis while the hemispherical isotropy error includes all probe orientations and field polarizations. These parameters are assessed by SPEAG during initial calibration. In 2001, SPEAG further tightened its quality controls and warrants that the maximal deviation from axial isotropy is $\pm 0.20\text{dB}$, while the maximum deviation of hemispherical isotropy is $\pm 0.40\text{dB}$, corresponding to $\pm 4.7\%$ and $\pm 9.6\%$, respectively. A weighting factor of c_p equal to 0.5 can be applied, since the axis of the probe deviates less than 30 degrees from the normal surface orientation.

7.3. BOUNDARY EFFECT UNCERTAINTY

The effect can be estimated according to the following error approximation formula

$$SAR_{tolerance}[\%] = SAR_{be}[\%] \times \frac{(d_{be} + d_{step})^2}{2d_{step}} e^{\frac{d_{be}}{d/2}}$$

$$d_{be} + d_{step} < 10\text{mm}$$

The parameter d_{be} is the distance in mm between the surface and the closest measurement point used in the averaging process; d_{step} is the separation distance in mm between the first and second measurement points; d is the minimum penetration depth in mm within the head tissue equivalent liquids (i.e., $d = 13.95\text{mm}$ at 3GHz); SAR_{be} is the deviation between the measured SAR value at the distance d_{be} from the boundary and the wave-guide analytical value SAR_{ref} . DASY4 applies a boundary effect compensation algorithm according to IEEE 1528, which is possible since the axis of the probe never deviates more than 30 degrees from the normal surface orientation. $SAR_{be}[\%]$ is assessed during the calibration process and SPEAG warrants that the uncertainty at distances larger than 4mm is always less than 1%. In summary, the worst case boundary effect SAR tolerance[%] for scanning distances larger than 4mm is $< \pm 0.8\%$.

7.4. PROBE LINEARITY UNCERTAINTY

Field probe linearity uncertainty includes errors from the assessment and compensation of the diode compression effects for CW and pulsed signals with known duty cycles. This error is assessed using the procedure described in IEEE 1528. For SPEAG field probes, the measured difference between CW and pulsed signals, with pulse frequencies between 10Hz and 1kHz and duty cycles between 1 and 100, is $< \pm 0.20\text{dB}$ ($< \pm 4.7\%$).

7.5. READOUT ELECTRONICS UNCERTAINTY

All uncertainties related to the probe readout electronics (DAE unit), including the gain and linearity of the instrumentation amplifier, its loading effect on the probe, and accuracy of the signal conversion algorithm, have been assessed accordingly to IEEE 1528. The combination (root-sum-square RSS method) of these components results in an overall maximum error of $\pm 1.0\%$.

7.6. RESPONSE TIME UNCERTAINTY

The time response of the field probes is assessed by exposing the probe to a well-controlled electric field producing SAR larger than 2.0W/kg at the tissue medium surface. The signal response time is evaluated as the time required by the system to reach 90% of the expected final value after an on/of switch of the power source. Analytically, it can be expressed as:

$$SAR_{tolerance} [\%] = 100 \times \left(\frac{T_m}{T_m + te^{-T_m/t} - t} - 1 \right)$$

where T_m is 500 ms, i.e., the time between measurement samples, and τ the time constant. The response time τ of SPEAG's probes is $< 5\text{ms}$. In the current implementation, DASY4 waits longer than 100 ms after having reached the grid point before starting a measurement, i.e., the response time uncertainty is negligible.

7.7. INTEGRATION TIME UNCERTAINTY

If the device under test does not emit a CW signal, the integration time applied to measure the electric field at a specific point may introduce additional uncertainties due to the discretization and can be assessed as follows

$$SAR_{tolerance} [\%] = 100 \times \sum_{allsub-frames} \frac{t_{frame}}{t_{integration}} \frac{slot_{idle}}{slot_{total}}$$

The tolerances for the different systems are given in Table 7.1, whereby the worst-case $SAR_{tolerance}$ is 2.6%.

System	$SAR_{tolerance} \%$
CW	0
CDMA*	0
WCDMA*	0
FDMA	0
IS-136	2.6
PDC	2.6
GSM/DCS/PCS	1.7
DECT	1.9
Worst-Case	2.6

TABLE 7.1

7.8. PROBE POSITIONER MECHANICAL TOLERANCE

The mechanical tolerance of the field probe positioner can introduce probe positioning uncertainties. The resulting SAR uncertainty is assessed by comparing the SAR obtained according to the specifications of the probe positioner with respect to the actual position defined by the geometric center of the probe sensors. The tolerance is determined as:

$$SAR_{tolerance} [\%] = 100 \times \frac{d_{ph}}{d/2}$$

The specified repeatability of the RX robot family used in DASY4 systems is $\pm 25\mu\text{m}$. The absolute accuracy for short distance movements is better than $\pm 0.1\text{mm}$, i.e., the $SAR_{tolerance} [\%]$ is better than 1.5% (rectangular).

7.9. PROBE POSITIONING

The probe positioning procedures affect the tolerance of the separation distance between the probe tip and the phantom surface as:

$$SAR_{tolerance} [\%] = 100 \times \frac{d_{ph}}{d/2}$$

where d_{ph} is the maximum deviation of the distance between the probe tip and the phantom surface. The optical surface detection has a precision of better than 0.2mm, resulting in an $SAR_{tolerance} [\%]$ of <2.9% (rectangular distribution). Since the mechanical detection provides better accuracy, 2.9% is a worst-case figure for DASY4 system.

7.10. PHANTOM UNCERTAINTY

The SAR measurement uncertainty due to SPEAG phantom shell production tolerances has been evaluated using

$$SAR_{tolerance} [\%] \cong 100 \times \frac{2d}{a}, \quad d \ll a$$

For a maximum deviation d of the inner and outer shell of the phantom from that specified in the CAD file of $\pm 0.2\text{mm}$, and a 10mm spacing a between source and tissue liquid, the calculated phantom uncertainty is $\pm 4.0\%$.

7.11. DASY4 UNCERTAINTY BUDGET

Error Description	Tolerance (±%)	Probability Distribution	Divisor	(C _i)		Standard Uncertainty (±%)		(v _i)
				(1g)	(10g)	(1g)	(10g)	
Measurement Equipment								
Probe Calibration	4.8	Normal	1	1	1	4.8	4.8	
Axial Isotropy	4.7	Rectangular	3	1	1	1.9	1.9	
Hemispherical Isotropy	9.6	Rectangular	3	1	1	3.9	3.9	
Boundary effect	1.0	Rectangular	3	1	1	0.6	0.6	
Linearity	4.7	Rectangular	3	1	1	2.7	2.7	
System Detection Limit	1.0	Rectangular	3	1	1	0.6	0.6	
Readout Electronics	1.0	Normal	1	1	1	1.0	1.0	
Response Time	0.8	Normal	1	1	1	0.8	0.8	
Integration Time	2.6	Normal	1	1	1	2.6	2.6	
Noise	0.0	Normal	1	0	0	0	0	
Mechanical Constraints								
Scanning System	0.4	Rectangular	3	1	1	0.2	0.2	
Phantom Shell	4.0	Rectangular	3	1	1	2.3	2.3	
Probe Positioning	2.9	Rectangular	3	1	1	1.7	1.7	
Device Positioning	2.9	Normal	1	1	1	2.9	2.9	875
Physical Parameters								
Liquid Conductivity (target)	5.0	Rectangular	3	0.7	0.5	2	1.4	
Liquid Conductivity (measurement)	4.3	Rectangular	3	0.7	0.5	1.7	1.2	
Liquid Permittivity (target)	5.0	Rectangular	3	0.6	0.5	1.7	1.4	
Liquid Permittivity (measurement)	4.3	Rectangular	3	0.6	0.5	1.5	1.2	
Power Drift	5	Rectangular	3	1	1	2.9	2.9	
RF Ambient Conditions	3.0	Rectangular	3	1	1	1.7	1.7	
Post-Processing								
Extrapolation and Integration	1	Rectangular	3	1	1	0.6	0.6	
Combined Standard Uncertainty						9.9	9.7	
Coverage Factor for 95%						kp=2		
Expanded Uncertainty (K=2)						19.9	19.3	

TABLE 7.2

The table 7.2: Worst-Case uncertainty budget for DASY4 assessed according to IEEE 1528. The budget is valid for the frequency range 300MHz ~ 3GHz and represents a worst-case analysis. For specific tests and configurations, the uncertainty could be considerable smaller.



8. INFORMATION ON THE TESTING LABORATORIES

We, ADT Corp., were founded in 1988 to provide our best service in EMC, Radio, Telecom and Safety consultation. Our laboratories are accredited and approved by the following approval agencies according to ISO/IEC 17025.

USA	FCC, UL, A2LA
GERMANY	TUV Rheinland
JAPAN	VCCI
NORWAY	NEMKO
CANADA	INDUSTRY CANADA , CSA
R.O.C.	CNLA, BSMI, NCC
NETHERLANDS	Telefication
SINGAPORE	PSB , GOST-ASIA (MOU)
RUSSIA	CERTIS (MOU)

Copies of accreditation certificates of our laboratories obtained from approval agencies can be downloaded from our web site:

www.adt.com.tw/index.5/phtml. If you have any comments, please feel free to contact us at the following:

Linko EMC/RF Lab:

Tel: 886-2-26052180

Fax: 886-2-26051924

Hsin Chu EMC/RF Lab:

Tel: 886-3-5935343

Fax: 886-3-5935342

Hwa Ya EMC/RF/Safety/Telecom Lab:

Tel: 886-3-3183232

Fax: 886-3-3185050

Web Site: www.adt.com.tw

The address and road map of all our labs can be found in our web site also.

APPENDIX A: TEST DATA

Liquid Level Photo

MSL 2450MHz D=150mm



Test Laboratory: Advance Data Technology

D600-11b-CH1-Mode 1

DUT: USB XR Wireless Adapter ; Type: WUBR-185G ; Test Frequency: 2412 MHz

Communication System: 802.11b ; Frequency: 2412 MHz ; Duty Cycle: 1:1 ; Modulation type: DBPSK
Medium: MSL2450 Medium parameters used: $f = 2412$ MHz; $\sigma = 1.93$ mho/m; $\epsilon_r = 54$; $\rho = 1000$ kg/m³ ; Liquid level : 150 mm
Phantom section: Flat Section ; Separation distance : 0 mm (The bottom side of the EUT to the Phantom)
Antenna type : Printed Antenna ; Air temp. : 22.3 degrees ; Liquid temp. : 21.1 degrees

DASY4 Configuration:

- Probe: EX3DV4 - SN3578; ConvF(6.47, 6.47, 6.47) ; Calibrated: 2006/3/20
- Sensor-Surface: 4mm (Mechanical Surface Detection)
- Electronics: DAE3 Sn579 ; Calibrated: 2006/3/15
- Phantom: SAM 12 ; Type: SAM V4.0 ; Serial: TP 1202
- Measurement SW: DASY4, V4.7 Build 44 ; Postprocessing SW: SEMCAD, V1.8 Build 171

Low Channel 1/Area Scan (5x8x1): Measurement grid: dx=15mm, dy=15mm

Maximum value of SAR (measured) = 0.485 mW/g

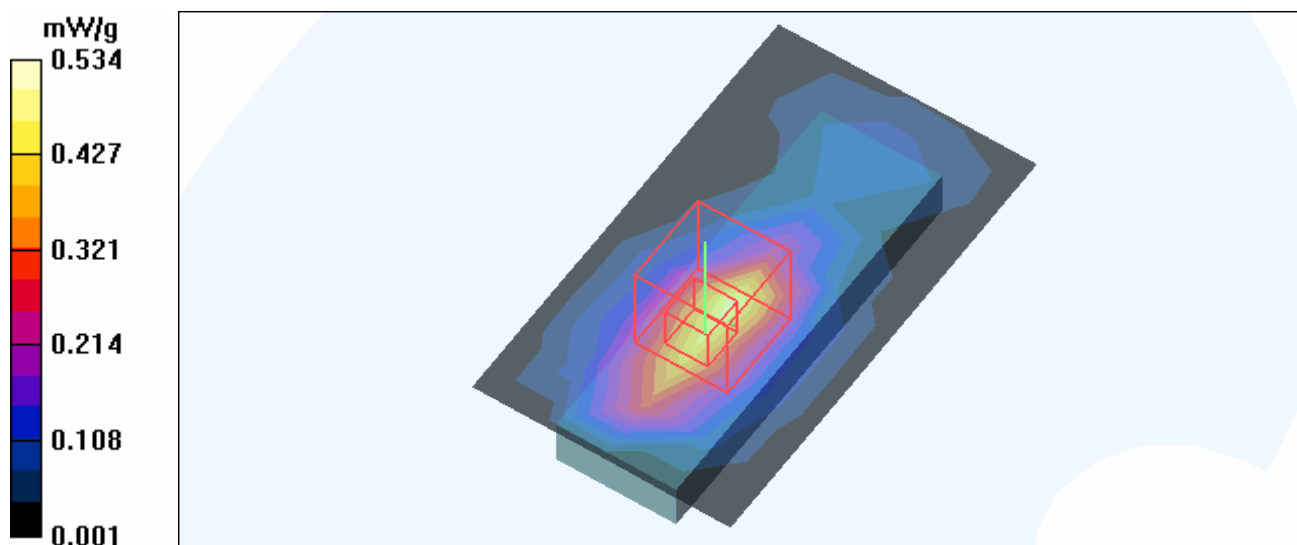
Low Channel 1/Zoom Scan (7x7x7)/Cube 0: Measurement grid: dx=5mm, dy=5mm, dz=5mm

Reference Value = 17.3 V/m

Peak SAR (extrapolated) = 1.24 W/kg

SAR(1 g) = 0.491 mW/g; SAR(10 g) = 0.232 mW/g

Maximum value of SAR (measured) = 0.534 mW/g



Test Laboratory: Advance Data Technology

D600-11b-CH6-Mode 1

DUT: USB XR Wireless Adapter ; Type: WUBR-185G ; Test Frequency: 2437 MHz

Communication System: 802.11b ; Frequency: 2437 MHz ; Duty Cycle: 1:1 ; Modulation type: DBPSK
Medium: MSL2450 Medium parameters used : $f = 2437$ MHz; $\sigma = 1.95$ mho/m; $\epsilon_r = 53.8$; $\rho = 1000$ kg/m³ ; Liquid level : 150 mm
Phantom section: Flat Section ; Separation distance : 0 mm (The bottom side of the EUT to the Phantom)
Antenna type : Printed Antenna ; Air temp. : 22.3 degrees ; Liquid temp. : 21.1 degrees

DASY4 Configuration:

- Probe: EX3DV4 - SN3578; ConvF(6.47, 6.47, 6.47) ; Calibrated: 2006/3/20
- Sensor-Surface: 4mm (Mechanical Surface Detection)
- Electronics: DAE3 Sn579 ; Calibrated: 2006/3/15
- Phantom: SAM 12 ; Type: SAM V4.0 ; Serial: TP 1202
- Measurement SW: DASY4, V4.7 Build 44 ; Postprocessing SW: SEMCAD, V1.8 Build 171

Mid Channel 6/Area Scan (5x8x1): Measurement grid: dx=15mm, dy=15mm

Maximum value of SAR (measured) = 0.472 mW/g

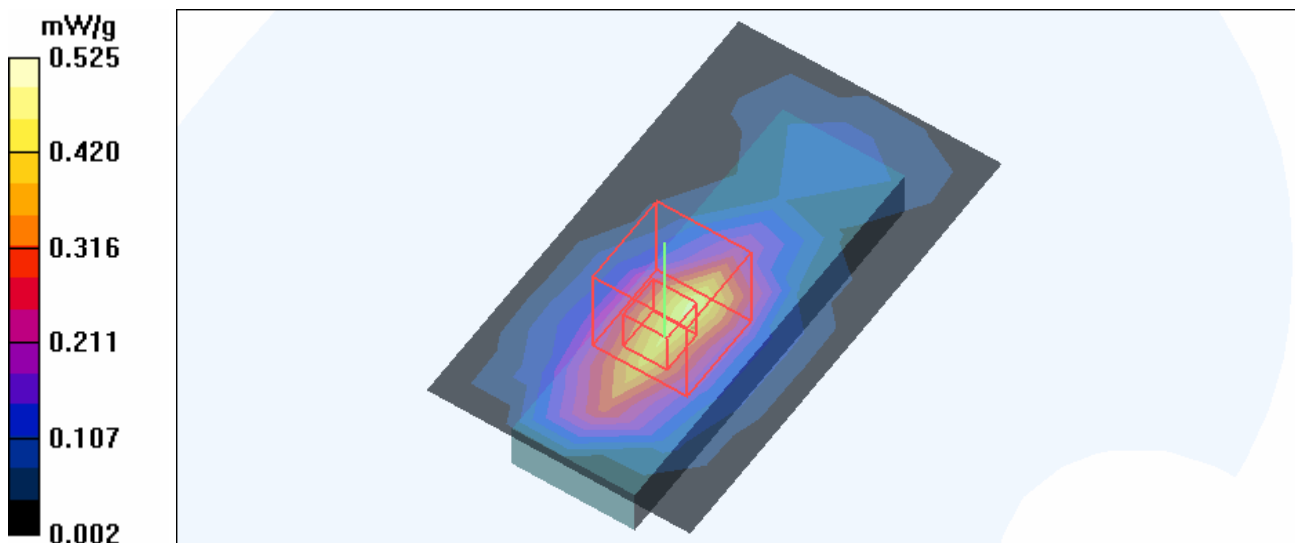
Mid Channel 6/Zoom Scan (7x7x7)/Cube 0: Measurement grid: dx=5mm, dy=5mm, dz=5mm

Reference Value = 16.3 V/m

Peak SAR (extrapolated) = 1.22 W/kg

SAR(1 g) = 0.487 mW/g; SAR(10 g) = 0.231 mW/g

Maximum value of SAR (measured) = 0.525 mW/g



Test Laboratory: Advance Data Technology

D600-11b-CH11-Mode 1

DUT: USB XR Wireless Adapter ; Type: WUBR-185G ; Test Frequency: 2462 MHz

Communication System: 802.11b ; Frequency: 2462 MHz ; Duty Cycle: 1:1 ; Modulation type: DBPSK
Medium: MSL2450 Medium parameters used : $f = 2462$ MHz; $\sigma = 1.99$ mho/m; $\epsilon_r = 53.7$; $\rho = 1000$ kg/m³ ; Liquid level : 150 mm
Phantom section: Flat Section ; Separation distance : 0 mm (The bottom side of the EUT to the Phantom)
Antenna type : Printed Antenna ; Air temp. : 22.3 degrees ; Liquid temp. : 21.1 degrees

DASY4 Configuration:

- Probe: EX3DV4 - SN3578; ConvF(6.47, 6.47, 6.47) ; Calibrated: 2006/3/20
- Sensor-Surface: 4mm (Mechanical Surface Detection)
- Electronics: DAE3 Sn579 ; Calibrated: 2006/3/15
- Phantom: SAM 12 ; Type: SAM V4.0 ; Serial: TP 1202
- Measurement SW: DASY4, V4.7 Build 44 ; Postprocessing SW: SEMCAD, V1.8 Build 171

High Channel 11/Area Scan (5x8x1): Measurement grid: dx=15mm, dy=15mm

Maximum value of SAR (measured) = 0.587 mW/g

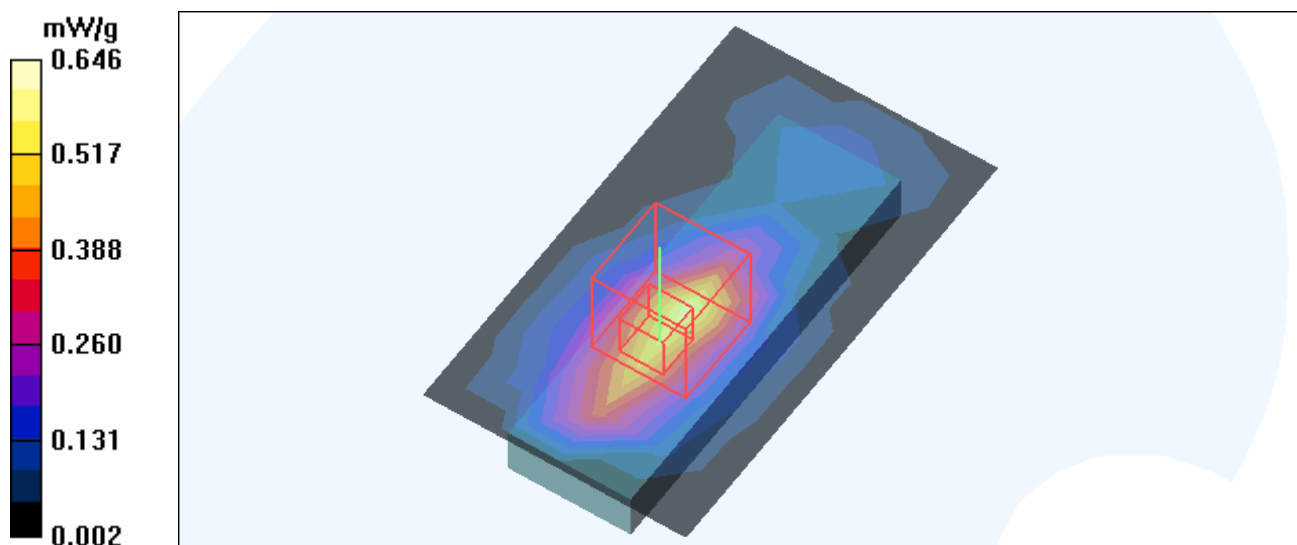
High Channel 11/Zoom Scan (7x7x7)/Cube 0: Measurement grid: dx=5mm, dy=5mm, dz=5mm

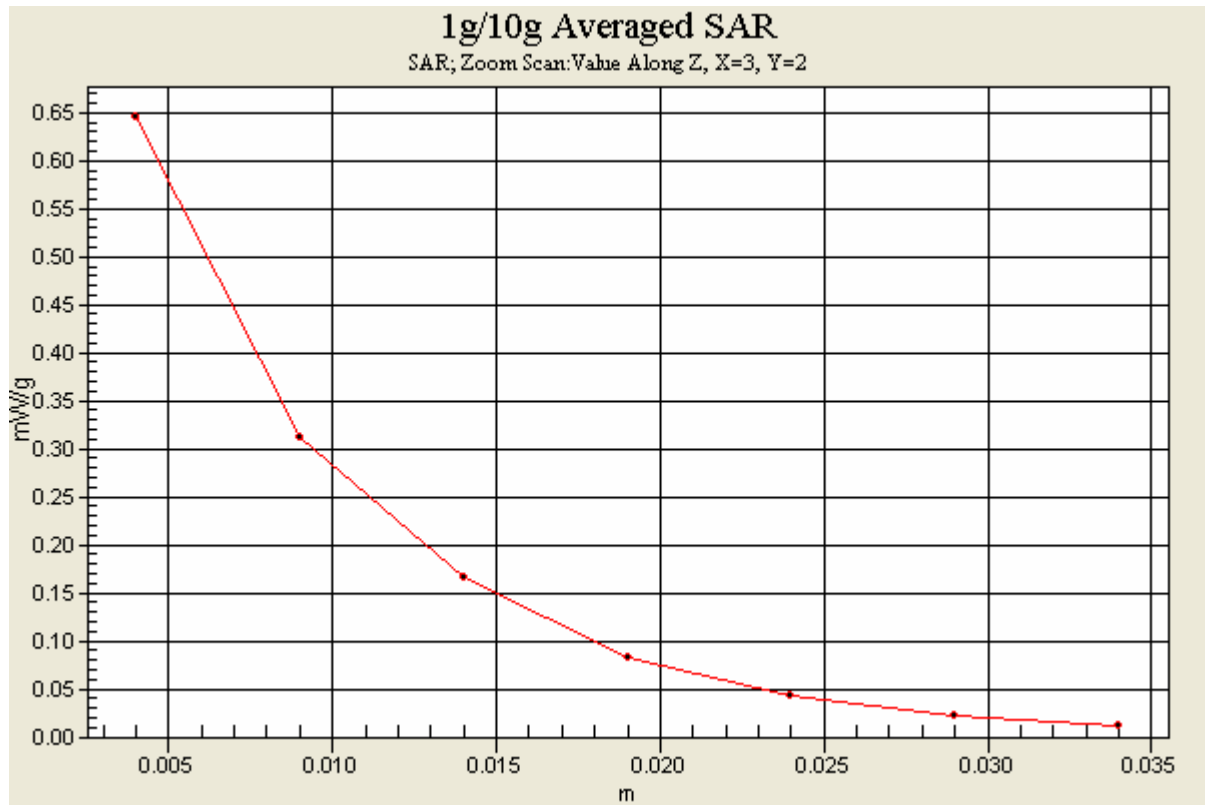
Reference Value = 17.9 V/m

Peak SAR (extrapolated) = 1.50 W/kg

SAR(1 g) = 0.594 mW/g; SAR(10 g) = 0.281 mW/g

Maximum value of SAR (measured) = 0.646 mW/g





Test Laboratory: Advance Data Technology

D600-11g-CH1-Mode 2

DUT: USB XR Wireless Adapter ; Type: WUBR-185G ; Test Frequency: 2412 MHz

Communication System: 802.11g ; Frequency: 2412 MHz ; Duty Cycle: 1:1 ; Modulation type: BPSK
Medium: MSL2450 Medium parameters used: $f = 2412$ MHz; $\sigma = 1.93$ mho/m; $\epsilon_r = 54$; $\rho = 1000$ kg/m³ ; Liquid level : 150 mm

Phantom section: Flat Section ; Separation distance : 0 mm (The bottom side of the EUT to the Phantom)
Antenna type : Printed Antenna ; Air temp. : 22.3 degrees ; Liquid temp. : 21.1 degrees

DASY4 Configuration:

- Probe: EX3DV4 - SN3578; ConvF(6.47, 6.47, 6.47) ; Calibrated: 2006/3/20
- Sensor-Surface: 4mm (Mechanical Surface Detection)
- Electronics: DAE3 Sn579 ; Calibrated: 2006/3/15
- Phantom: SAM 12 ; Type: SAM V4.0 ; Serial: TP 1202
- Measurement SW: DASY4, V4.7 Build 44 ; Postprocessing SW: SEMCAD, V1.8 Build 171

Low Channel 1/Area Scan (5x8x1): Measurement grid: dx=15mm, dy=15mm

Maximum value of SAR (measured) = 0.191 mW/g

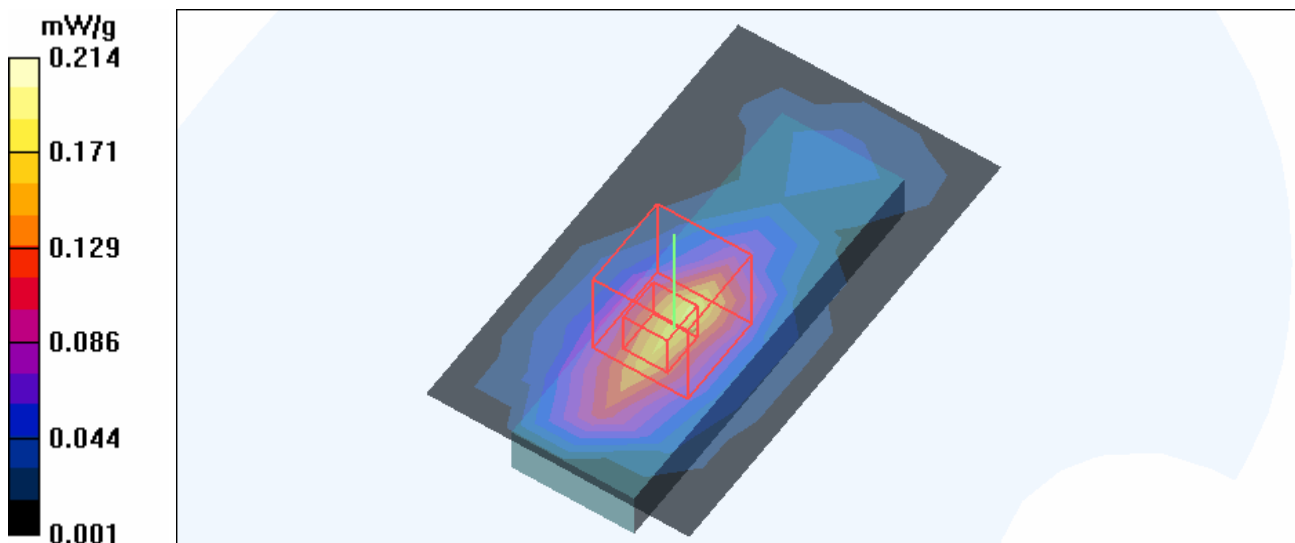
Low Channel 1/Zoom Scan (7x7x7)/Cube 0: Measurement grid: dx=5mm, dy=5mm, dz=5mm

Reference Value = 9.7 V/m

Peak SAR (extrapolated) = 0.498 W/kg

SAR(1 g) = 0.197 mW/g; SAR(10 g) = 0.093 mW/g

Maximum value of SAR (measured) = 0.214 mW/g



Test Laboratory: Advance Data Technology

D600-11g-CH6-Mode 2

DUT: USB XR Wireless Adapter ; Type: WUBR-185G ; Test Frequency: 2437 MHz

Communication System: 802.11g ; Frequency: 2437 MHz ; Duty Cycle: 1:1 ; Modulation type: BPSK
Medium: MSL2450 Medium parameters used : $f = 2437$ MHz; $\sigma = 1.95$ mho/m; $\epsilon_r = 53.8$; $\rho = 1000$ kg/m³ ; Liquid level : 150 mm

Phantom section: Flat Section ; Separation distance : 0 mm (The bottom side of the EUT to the Phantom)
Antenna type : Printed Antenna ; Air temp. : 22.3 degrees ; Liquid temp. : 21.1 degrees

DASY4 Configuration:

- Probe: EX3DV4 - SN3578; ConvF(6.47, 6.47, 6.47) ; Calibrated: 2006/3/20
- Sensor-Surface: 4mm (Mechanical Surface Detection)
- Electronics: DAE3 Sn579 ; Calibrated: 2006/3/15
- Phantom: SAM 12 ; Type: SAM V4.0 ; Serial: TP 1202
- Measurement SW: DASY4, V4.7 Build 44 ; Postprocessing SW: SEMCAD, V1.8 Build 171

Mid Channel 6/Area Scan (5x8x1): Measurement grid: dx=15mm, dy=15mm

Maximum value of SAR (measured) = 0.188 mW/g

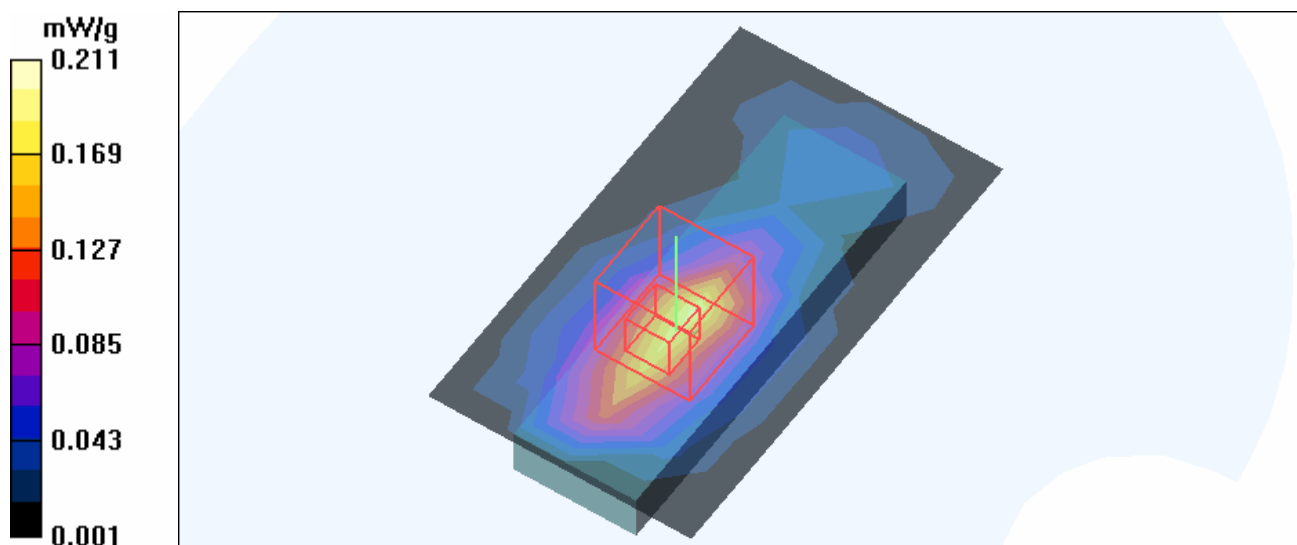
Mid Channel 6/Zoom Scan (7x7x7)/Cube 0: Measurement grid: dx=5mm, dy=5mm, dz=5mm

Reference Value = 10.3 V/m

Peak SAR (extrapolated) = 0.498 W/kg

SAR(1 g) = 0.197 mW/g; SAR(10 g) = 0.092 mW/g

Maximum value of SAR (measured) = 0.211 mW/g



Test Laboratory: Advance Data Technology

D600-11g-CH11-Mode 2

DUT: USB XR Wireless Adapter ; Type: WUBR-185G ; Test Frequency: 2462 MHz

Communication System: 802.11g ; Frequency: 2462 MHz ; Duty Cycle: 1:1 ; Modulation type: BPSK
Medium: MSL2450 Medium parameters used : $f = 2462$ MHz; $\sigma = 1.99$ mho/m; $\epsilon_r = 53.7$; $\rho = 1000$ kg/m³ ; Liquid level : 150 mm

Phantom section: Flat Section ; Separation distance : 0 mm (The bottom side of the EUT to the Phantom)
Antenna type : Printed Antenna ; Air temp. : 22.3 degrees ; Liquid temp. : 21.1 degrees

DASY4 Configuration:

- Probe: EX3DV4 - SN3578; ConvF(6.47, 6.47, 6.47) ; Calibrated: 2006/3/20
- Sensor-Surface: 4mm (Mechanical Surface Detection)
- Electronics: DAE3 Sn579 ; Calibrated: 2006/3/15
- Phantom: SAM 12 ; Type: SAM V4.0 ; Serial: TP 1202
- Measurement SW: DASY4, V4.7 Build 44 ; Postprocessing SW: SEMCAD, V1.8 Build 171

High Channel 11/Area Scan (5x8x1): Measurement grid: dx=15mm, dy=15mm

Maximum value of SAR (measured) = 0.233 mW/g

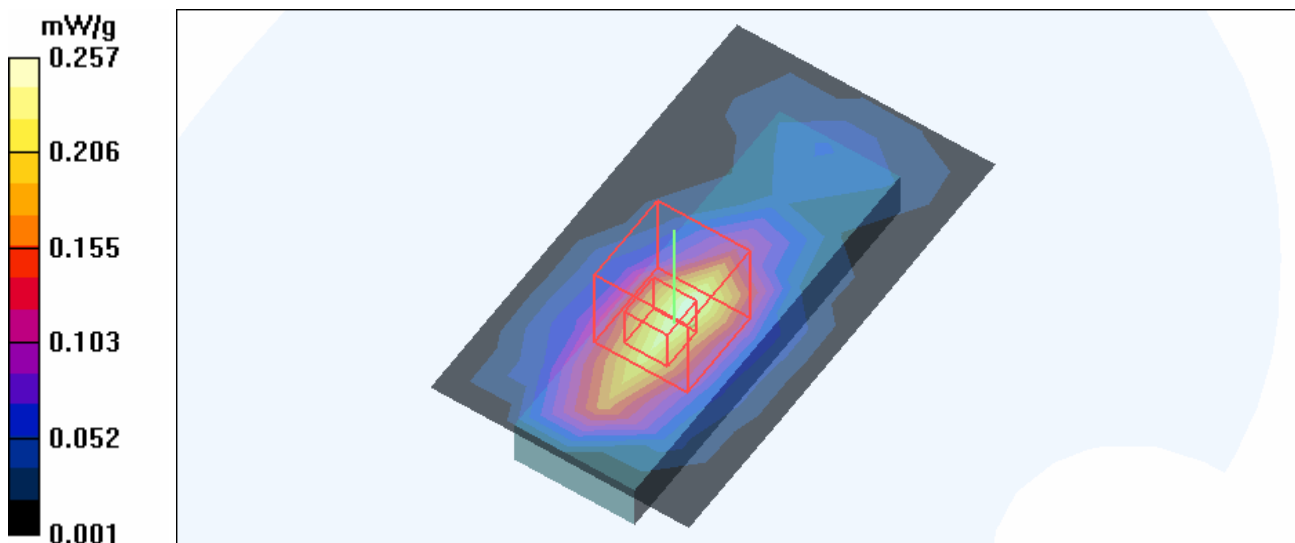
High Channel 11/Zoom Scan (7x7x7)/Cube 0: Measurement grid: dx=5mm, dy=5mm, dz=5mm

Reference Value = 11.3 V/m

Peak SAR (extrapolated) = 0.619 W/kg

SAR(1 g) = 0.216 mW/g; SAR(10 g) = 0.098 mW/g

Maximum value of SAR (measured) = 0.257 mW/g



Test Laboratory: Advance Data Technology

NC6000-11b-CH1-Mode 3

DUT: USB XR Wireless Adapter ; Type: WUBR-185G ; Test Frequency: 2412 MHz

Communication System: 802.11b ; Frequency: 2412 MHz ; Duty Cycle: 1:1 ; Modulation type: DBPSK
 Medium: MSL2450 Medium parameters used: $f = 2412$ MHz; $\sigma = 1.93$ mho/m; $\epsilon_r = 54$; $\rho = 1000$ kg/m³ ; Liquid level : 150 mm
 Phantom section: Flat Section ; Separation distance : 0 mm (The bottom side of the EUT to the Phantom)
 Antenna type : Printed Antenna ; Air temp. : 22.3 degrees ; Liquid temp. : 21.1 degrees

DASY4 Configuration:

- Probe: EX3DV4 - SN3578; ConvF(6.47, 6.47, 6.47) ; Calibrated: 2006/3/20
- Sensor-Surface: 4mm (Mechanical Surface Detection)
- Electronics: DAE3 Sn579 ; Calibrated: 2006/3/15
- Phantom: SAM 12 ; Type: SAM V4.0 ; Serial: TP 1202
- Measurement SW: DASY4, V4.7 Build 44 ; Postprocessing SW: SEMCAD, V1.8 Build 171

Low Channel 1/Area Scan (5x8x1): Measurement grid: dx=15mm, dy=15mm

Maximum value of SAR (measured) = 0.488 mW/g

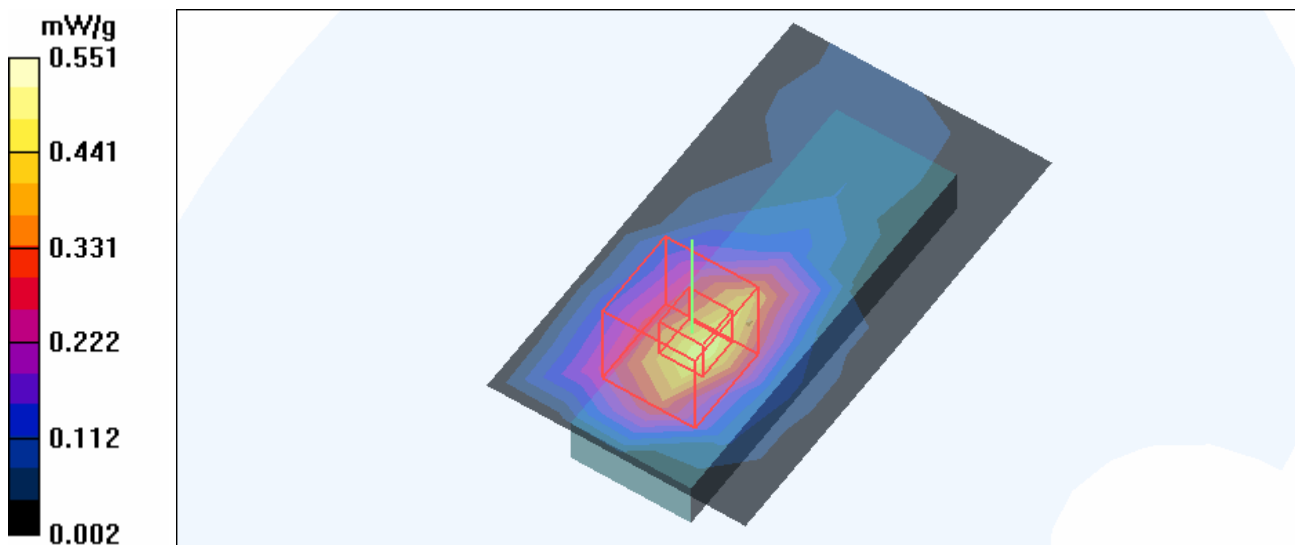
Low Channel 1/Zoom Scan (7x7x7)/Cube 0: Measurement grid: dx=5mm, dy=5mm, dz=5mm

Reference Value = 15.4 V/m

Peak SAR (extrapolated) = 1.25 W/kg

SAR(1 g) = 0.491 mW/g; SAR(10 g) = 0.219 mW/g

Maximum value of SAR (measured) = 0.551 mW/g



Test Laboratory: Advance Data Technology

NC6000-11b-CH6-Mode 3

DUT: USB XR Wireless Adapter ; Type: WUBR-185G ; Test Frequency: 2437 MHz

Communication System: 802.11b ; Frequency: 2437 MHz ; Duty Cycle: 1:1 ; Modulation type: DBPSK
 Medium: MSL2450 Medium parameters used : $f = 2437 \text{ MHz}$; $\sigma = 1.95 \text{ mho/m}$; $\epsilon_r = 53.8$; $\rho = 1000 \text{ kg/m}^3$; Liquid level : 150 mm
 Phantom section: Flat Section ; Separation distance : 0 mm (The bottom side of the EUT to the Phantom)
 Antenna type : Printed Antenna ; Air temp. : 22.3 degrees ; Liquid temp. : 21.1 degrees

DASY4 Configuration:

- Probe: EX3DV4 - SN3578; ConvF(6.47, 6.47, 6.47) ; Calibrated: 2006/3/20
- Sensor-Surface: 4mm (Mechanical Surface Detection)
- Electronics: DAE3 Sn579 ; Calibrated: 2006/3/15
- Phantom: SAM 12 ; Type: SAM V4.0 ; Serial: TP 1202
- Measurement SW: DASY4, V4.7 Build 44 ; Postprocessing SW: SEMCAD, V1.8 Build 171

Mid Channel 6/Area Scan (5x8x1): Measurement grid: dx=15mm, dy=15mm

Maximum value of SAR (measured) = 0.424 mW/g

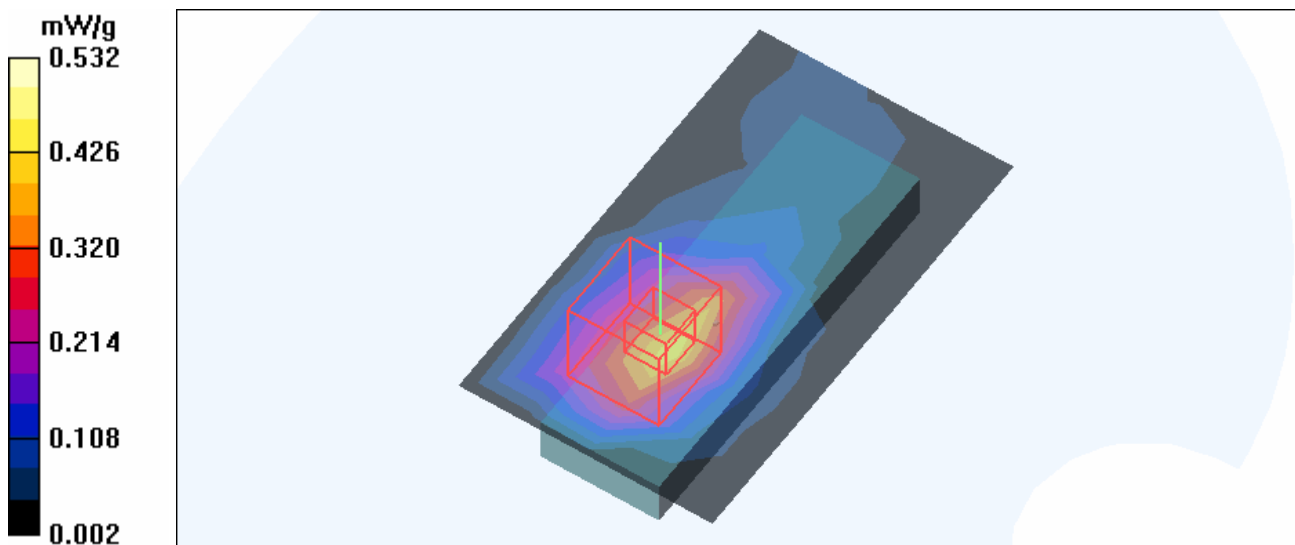
Mid Channel 6/Zoom Scan (7x7x7)/Cube 0: Measurement grid: dx=5mm, dy=5mm, dz=5mm

Reference Value = 14.0 V/m

Peak SAR (extrapolated) = 1.20 W/kg

SAR(1 g) = 0.476 mW/g; SAR(10 g) = 0.212 mW/g

Maximum value of SAR (measured) = 0.532 mW/g



Test Laboratory: Advance Data Technology

NC6000-11b-CH11-Mode 3**DUT: USB XR Wireless Adapter ; Type: WUBR-185G ; Test Frequency: 2462 MHz**

Communication System: 802.11b ; Frequency: 2462 MHz ; Duty Cycle: 1:1 ; Modulation type: DBPSK
Medium: MSL2450 Medium parameters used : $f = 2462$ MHz; $\sigma = 1.99$ mho/m; $\epsilon_r = 53.7$; $\rho = 1000$ kg/m³ ; Liquid level : 150 mm
Phantom section: Flat Section ; Separation distance : 0 mm (The bottom side of the EUT to the Phantom)
Antenna type : Printed Antenna ; Air temp. : 22.3 degrees ; Liquid temp. : 21.1 degrees

DASY4 Configuration:

- Probe: EX3DV4 - SN3578; ConvF(6.47, 6.47, 6.47) ; Calibrated: 2006/3/20
- Sensor-Surface: 4mm (Mechanical Surface Detection)
- Electronics: DAE3 Sn579 ; Calibrated: 2006/3/15
- Phantom: SAM 12 ; Type: SAM V4.0 ; Serial: TP 1202
- Measurement SW: DASY4, V4.7 Build 44 ; Postprocessing SW: SEMCAD, V1.8 Build 171

High Channel 11/Area Scan (5x8x1): Measurement grid: dx=15mm, dy=15mm

Maximum value of SAR (measured) = 0.514 mW/g

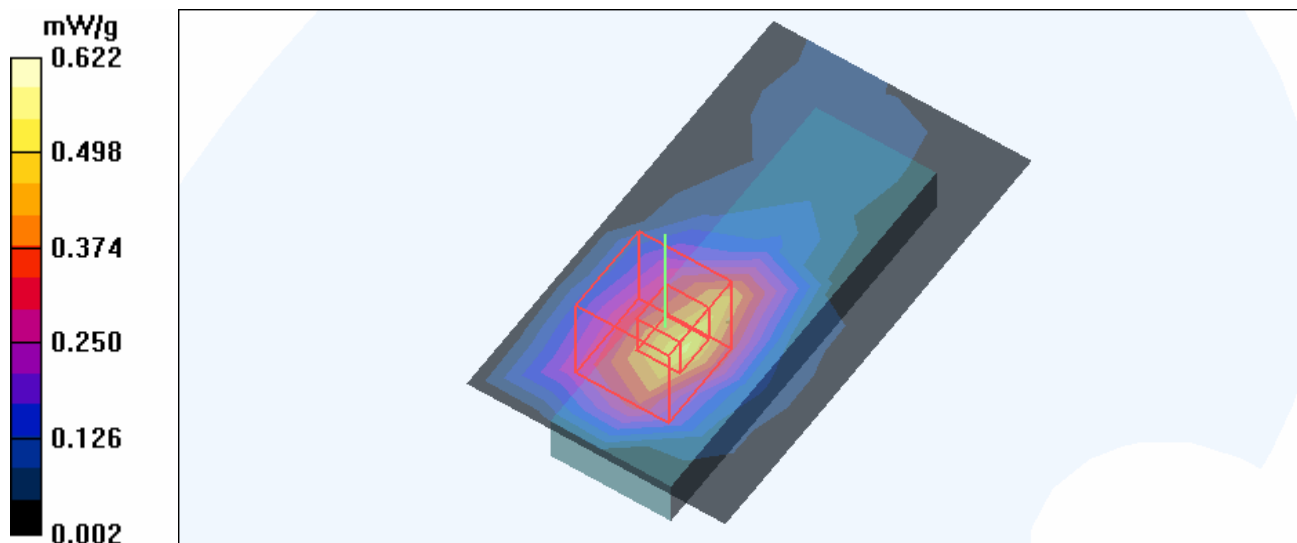
High Channel 11/Zoom Scan (7x7x7)/Cube 0: Measurement grid: dx=5mm, dy=5mm, dz=5mm

Reference Value = 15.6 V/m

Peak SAR (extrapolated) = 1.42 W/kg

SAR(1 g) = 0.568 mW/g; SAR(10 g) = 0.249 mW/g

Maximum value of SAR (measured) = 0.622 mW/g



Test Laboratory: Advance Data Technology

NC6000-11g-CH1-Mode 4

DUT: USB XR Wireless Adapter ; Type: WUBR-185G ; Test Frequency: 2412 MHz

Communication System: 802.11g ; Frequency: 2412 MHz ; Duty Cycle: 1:1 ; Modulation type: BPSK
 Medium: MSL2450 Medium parameters used: $f = 2412$ MHz; $\sigma = 1.93$ mho/m; $\epsilon_r = 54$; $\rho = 1000$ kg/m³ ; Liquid level : 150 mm

Phantom section: Flat Section ; Separation distance : 0 mm (The bottom side of the EUT to the Phantom)
 Antenna type : Printed Antenna ; Air temp. : 22.3 degrees ; Liquid temp. : 21.1 degrees

DASY4 Configuration:

- Probe: EX3DV4 - SN3578; ConvF(6.47, 6.47, 6.47) ; Calibrated: 2006/3/20
- Sensor-Surface: 4mm (Mechanical Surface Detection)
- Electronics: DAE3 Sn579 ; Calibrated: 2006/3/15
- Phantom: SAM 12 ; Type: SAM V4.0 ; Serial: TP 1202
- Measurement SW: DASY4, V4.7 Build 44 ; Postprocessing SW: SEMCAD, V1.8 Build 171

Low Channel 1/Area Scan (5x8x1): Measurement grid: dx=15mm, dy=15mm

Maximum value of SAR (measured) = 0.186 mW/g

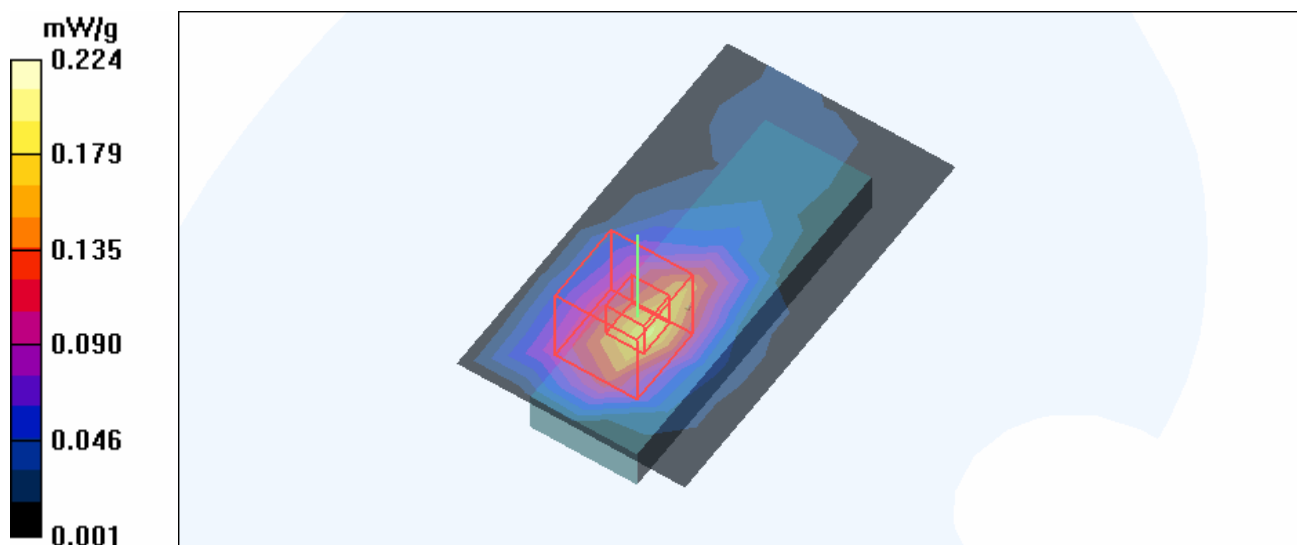
Low Channel 1/Zoom Scan (7x7x7)/Cube 0: Measurement grid: dx=5mm, dy=5mm, dz=5mm

Reference Value = 9.35 V/m

Peak SAR (extrapolated) = 0.510 W/kg

SAR(1 g) = 0.200 mW/g; SAR(10 g) = 0.089 mW/g

Maximum value of SAR (measured) = 0.224 mW/g



Test Laboratory: Advance Data Technology

NC6000-11g-CH6-Mode 4

DUT: USB XR Wireless Adapter ; Type: WUBR-185G ; Test Frequency: 2437 MHz

Communication System: 802.11g ; Frequency: 2437 MHz ; Duty Cycle: 1:1 ; Modulation type: BPSK
 Medium: MSL2450 Medium parameters used : $f = 2437 \text{ MHz}$; $\sigma = 1.95 \text{ mho/m}$; $\epsilon_r = 53.8$; $\rho = 1000 \text{ kg/m}^3$; Liquid level : 150 mm

Phantom section: Flat Section ; Separation distance : 0 mm (The bottom side of the EUT to the Phantom)
 Antenna type : Printed Antenna ; Air temp. : 22.3 degrees ; Liquid temp. : 21.1 degrees

DASY4 Configuration:

- Probe: EX3DV4 - SN3578; ConvF(6.47, 6.47, 6.47) ; Calibrated: 2006/3/20
- Sensor-Surface: 4mm (Mechanical Surface Detection)
- Electronics: DAE3 Sn579 ; Calibrated: 2006/3/15
- Phantom: SAM 12 ; Type: SAM V4.0 ; Serial: TP 1202
- Measurement SW: DASY4, V4.7 Build 44 ; Postprocessing SW: SEMCAD, V1.8 Build 171

Mid Channel 6/Area Scan (5x8x1): Measurement grid: dx=15mm, dy=15mm

Maximum value of SAR (measured) = 0.178 mW/g

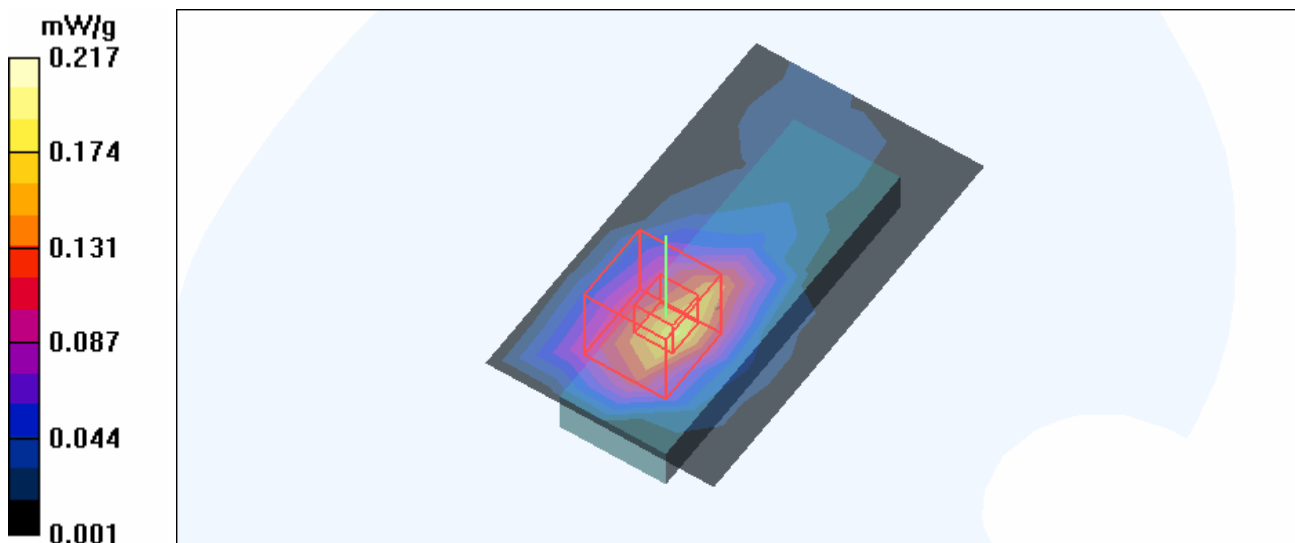
Mid Channel 6/Zoom Scan (7x7x7)/Cube 0: Measurement grid: dx=5mm, dy=5mm, dz=5mm

Reference Value = 9.00 V/m

Peak SAR (extrapolated) = 0.494 W/kg

SAR(1 g) = 0.194 mW/g; SAR(10 g) = 0.086 mW/g

Maximum value of SAR (measured) = 0.217 mW/g



Test Laboratory: Advance Data Technology

NC6000-11g-CH11-Mode 4**DUT: USB XR Wireless Adapter ; Type: WUBR-185G ; Test Frequency: 2462 MHz**

Communication System: 802.11g ; Frequency: 2462 MHz ; Duty Cycle: 1:1 ; Modulation type: BPSK
Medium: MSL2450 Medium parameters used : $f = 2462$ MHz; $\sigma = 1.99$ mho/m; $\epsilon_r = 53.7$; $\rho = 1000$ kg/m³ ; Liquid level : 150 mm

Phantom section: Flat Section ; Separation distance : 0 mm (The bottom side of the EUT to the Phantom)
Antenna type : Printed Antenna ; Air temp. : 22.3 degrees ; Liquid temp. : 21.1 degrees

DASY4 Configuration:

- Probe: EX3DV4 - SN3578; ConvF(6.47, 6.47, 6.47) ; Calibrated: 2006/3/20
- Sensor-Surface: 4mm (Mechanical Surface Detection)
- Electronics: DAE3 Sn579 ; Calibrated: 2006/3/15
- Phantom: SAM 12 ; Type: SAM V4.0 ; Serial: TP 1202
- Measurement SW: DASY4, V4.7 Build 44 ; Postprocessing SW: SEMCAD, V1.8 Build 171

High Channel 11/Area Scan (5x8x1): Measurement grid: dx=15mm, dy=15mm

Maximum value of SAR (measured) = 0.207 mW/g

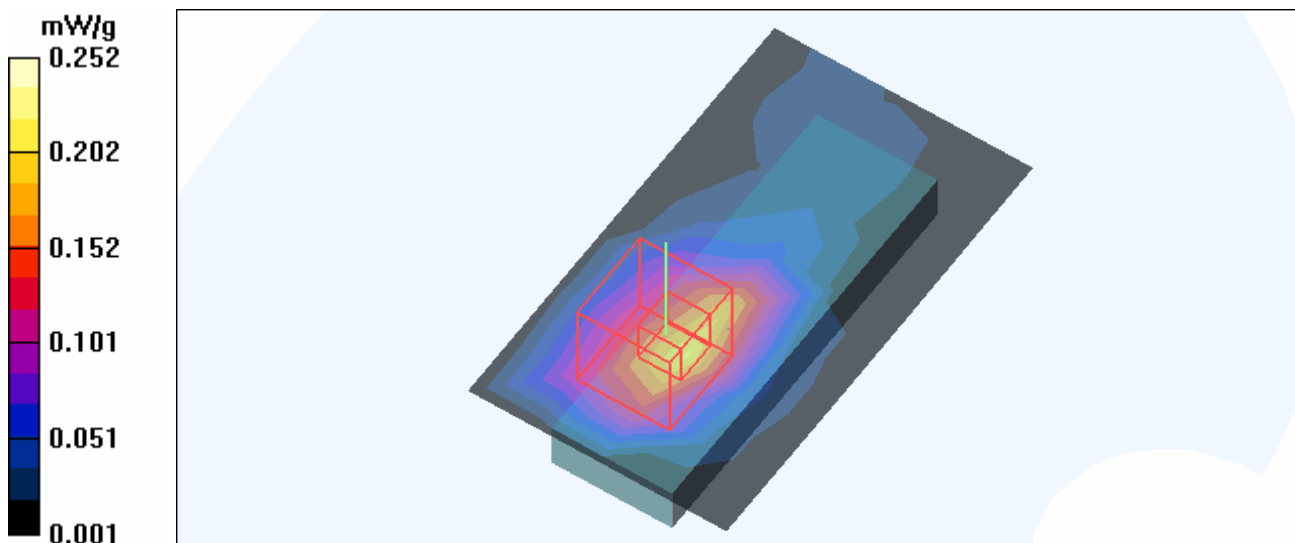
High Channel 11/Zoom Scan (7x7x7)/Cube 0: Measurement grid: dx=5mm, dy=5mm, dz=5mm

Reference Value = 9.92 V/m

Peak SAR (extrapolated) = 0.582 W/kg

SAR(1 g) = 0.230 mW/g; SAR(10 g) = 0.100 mW/g

Maximum value of SAR (measured) = 0.252 mW/g



Test Laboratory: Advance Data Technology

N800C-11b-CH1-Mode 5

DUT: USB XR Wireless Adapter ; Type: WUBR-185G ; Test Frequency: 2412 MHz

Communication System: 802.11b ; Frequency: 2412 MHz ; Duty Cycle: 1:1 ; Modulation type: DBPSK
 Medium: MSL2450 Medium parameters used: $f = 2412$ MHz; $\sigma = 1.93$ mho/m; $\epsilon_r = 54$; $\rho = 1000$ kg/m³ ; Liquid level : 150 mm
 Phantom section: Flat Section ; Separation distance : 5 mm (The bottom side of the EUT to the Phantom)
 Antenna type : Printed Antenna ; Air temp. : 22.3 degrees ; Liquid temp. : 21.1 degrees

DASY4 Configuration:

- Probe: EX3DV4 - SN3578; ConvF(6.47, 6.47, 6.47) ; Calibrated: 2006/3/20
- Sensor-Surface: 4mm (Mechanical Surface Detection)
- Electronics: DAE3 Sn579 ; Calibrated: 2006/3/15
- Phantom: SAM 12 ; Type: SAM V4.0 ; Serial: TP 1202
- Measurement SW: DASY4, V4.7 Build 44 ; Postprocessing SW: SEMCAD, V1.8 Build 171

Low Channel 1/Area Scan (5x8x1): Measurement grid: dx=15mm, dy=15mm

Maximum value of SAR (measured) = 0.442 mW/g

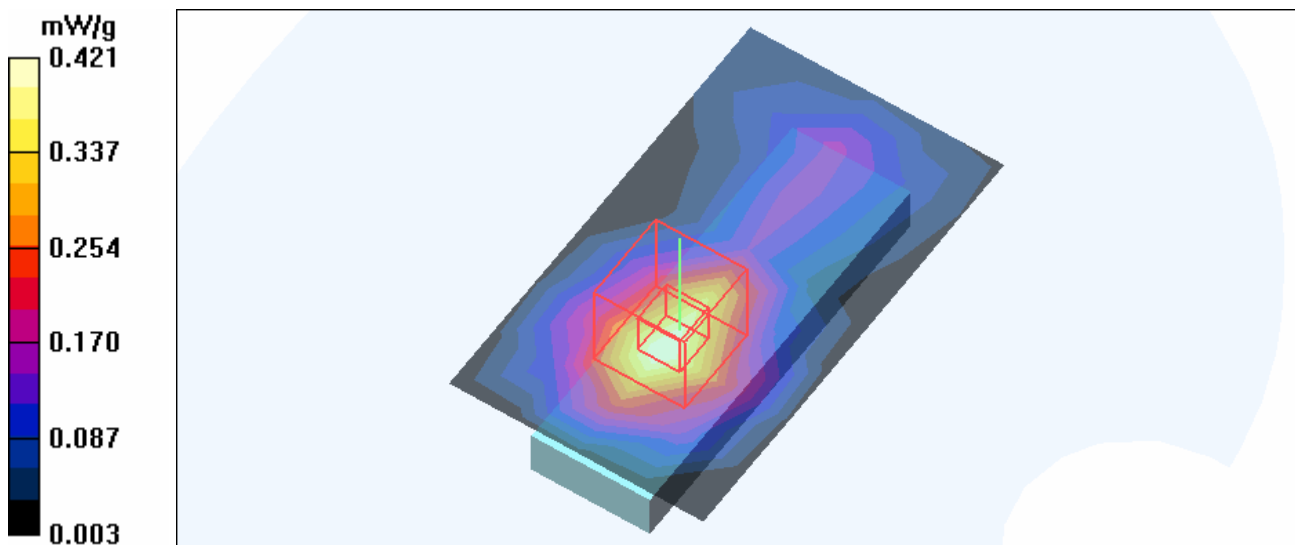
Low Channel 1/Zoom Scan (7x7x7)/Cube 0: Measurement grid: dx=5mm, dy=5mm, dz=5mm

Reference Value = 14.9 V/m

Peak SAR (extrapolated) = 0.942 W/kg

SAR(1 g) = 0.387 mW/g; SAR(10 g) = 0.188 mW/g

Maximum value of SAR (measured) = 0.421 mW/g



Test Laboratory: Advance Data Technology

N800C-11b-CH6-Mode 5

DUT: USB XR Wireless Adapter ; Type: WUBR-185G ; Test Frequency: 2437 MHz

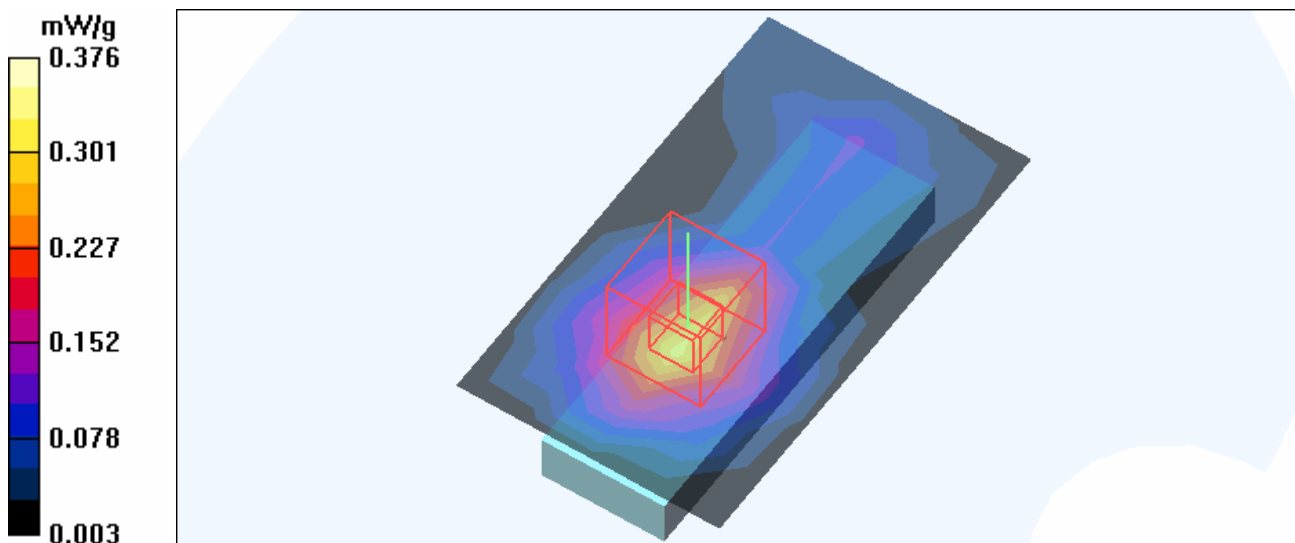
Communication System: 802.11b ; Frequency: 2437 MHz ; Duty Cycle: 1:1 ; Modulation type: DBPSK
Medium: MSL2450 Medium parameters used : $f = 2437$ MHz; $\sigma = 1.95$ mho/m; $\epsilon_r = 53.8$; $\rho = 1000$ kg/m³ ; Liquid level : 150 mm
Phantom section: Flat Section ; Separation distance : 5 mm (The bottom side of the EUT to the Phantom)
Antenna type : Printed Antenna ; Air temp. : 22.3 degrees ; Liquid temp. : 21.1 degrees

DASY4 Configuration:

- Probe: EX3DV4 - SN3578; ConvF(6.47, 6.47, 6.47) ; Calibrated: 2006/3/20
- Sensor-Surface: 4mm (Mechanical Surface Detection)
- Electronics: DAE3 Sn579 ; Calibrated: 2006/3/15
- Phantom: SAM 12 ; Type: SAM V4.0 ; Serial: TP 1202
- Measurement SW: DASY4, V4.7 Build 44 ; Postprocessing SW: SEMCAD, V1.8 Build 171

Mid Channel 6/Area Scan (5x8x1): Measurement grid: dx=15mm, dy=15mm
Maximum value of SAR (measured) = 0.317 mW/g

Mid Channel 6/Zoom Scan (7x7x7)/Cube 0: Measurement grid: dx=5mm, dy=5mm, dz=5mm
Reference Value = 12.3 V/m
Peak SAR (extrapolated) = 0.834 W/kg
SAR(1 g) = 0.341 mW/g; SAR(10 g) = 0.163 mW/g
Maximum value of SAR (measured) = 0.376 mW/g



Test Laboratory: Advance Data Technology

N800C-11b-CH11-Mode 5

DUT: USB XR Wireless Adapter ; Type: WUBR-185G ; Test Frequency: 2462 MHz

Communication System: 802.11b ; Frequency: 2462 MHz ; Duty Cycle: 1:1 ; Modulation type: DBPSK
 Medium: MSL2450 Medium parameters used : $f = 2462 \text{ MHz}$; $\sigma = 1.99 \text{ mho/m}$; $\epsilon_r = 53.7$; $\rho = 1000 \text{ kg/m}^3$; Liquid level : 150 mm
 Phantom section: Flat Section ; Separation distance : 5 mm (The bottom side of the EUT to the Phantom)
 Antenna type : Printed Antenna ; Air temp. : 22.3 degrees ; Liquid temp. : 21.1 degrees

DASY4 Configuration:

- Probe: EX3DV4 - SN3578; ConvF(6.47, 6.47, 6.47) ; Calibrated: 2006/3/20
- Sensor-Surface: 4mm (Mechanical Surface Detection)
- Electronics: DAE3 Sn579 ; Calibrated: 2006/3/15
- Phantom: SAM 12 ; Type: SAM V4.0 ; Serial: TP 1202
- Measurement SW: DASY4, V4.7 Build 44 ; Postprocessing SW: SEMCAD, V1.8 Build 171

High Channel 11/Area Scan (5x8x1): Measurement grid: dx=15mm, dy=15mm

Maximum value of SAR (measured) = 0.367 mW/g

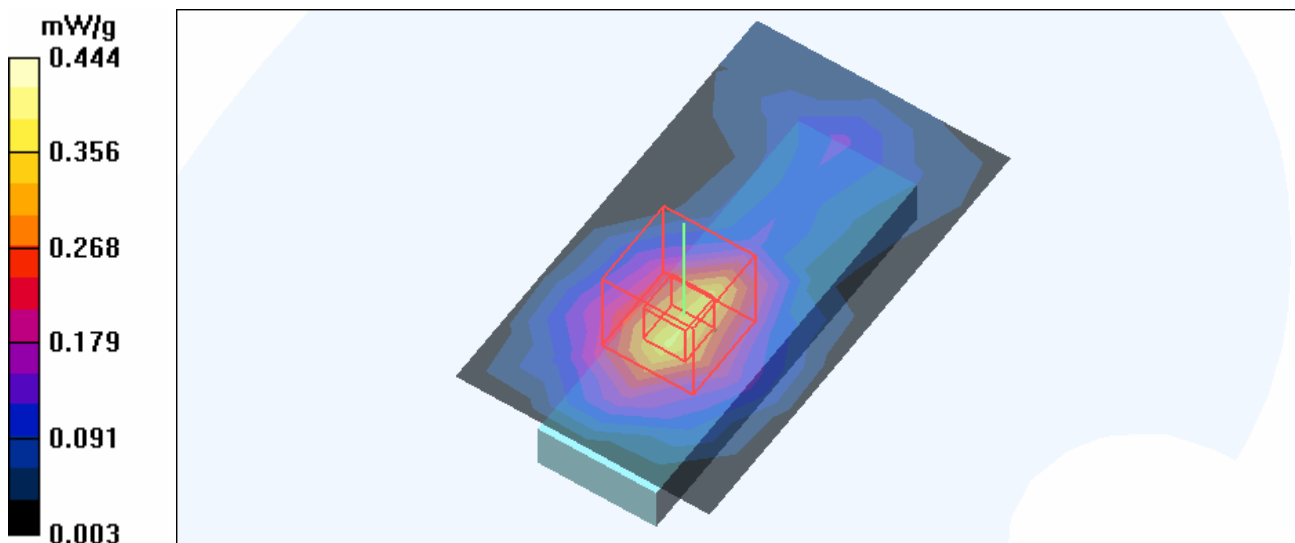
High Channel 11/Zoom Scan (7x7x7)/Cube 0: Measurement grid: dx=5mm, dy=5mm, dz=5mm

Reference Value = 15.2 V/m

Peak SAR (extrapolated) = 0.994 W/kg

SAR(1 g) = 0.410 mW/g; SAR(10 g) = 0.196 mW/g

Maximum value of SAR (measured) = 0.444 mW/g



Test Laboratory: Advance Data Technology

N800C-11g-CH1-Mode 6

DUT: USB XR Wireless Adapter ; Type: WUBR-185G ; Test Frequency: 2412 MHz

Communication System: 802.11g ; Frequency: 2412 MHz ; Duty Cycle: 1:1 ; Modulation type: BPSK
 Medium: MSL2450 Medium parameters used: $f = 2412$ MHz; $\sigma = 1.93$ mho/m; $\epsilon_r = 54$; $\rho = 1000$ kg/m³ ; Liquid level : 150 mm

Phantom section: Flat Section ; Separation distance : 5 mm (The bottom side of the EUT to the Phantom)
 Antenna type : Printed Antenna ; Air temp. : 22.3 degrees ; Liquid temp. : 21.1 degrees

DASY4 Configuration:

- Probe: EX3DV4 - SN3578; ConvF(6.47, 6.47, 6.47) ; Calibrated: 2006/3/20
- Sensor-Surface: 4mm (Mechanical Surface Detection)
- Electronics: DAE3 Sn579 ; Calibrated: 2006/3/15
- Phantom: SAM 12 ; Type: SAM V4.0 ; Serial: TP 1202
- Measurement SW: DASY4, V4.7 Build 44 ; Postprocessing SW: SEMCAD, V1.8 Build 171

Low Channel 1/Area Scan (5x8x1): Measurement grid: dx=15mm, dy=15mm

Maximum value of SAR (measured) = 0.142 mW/g

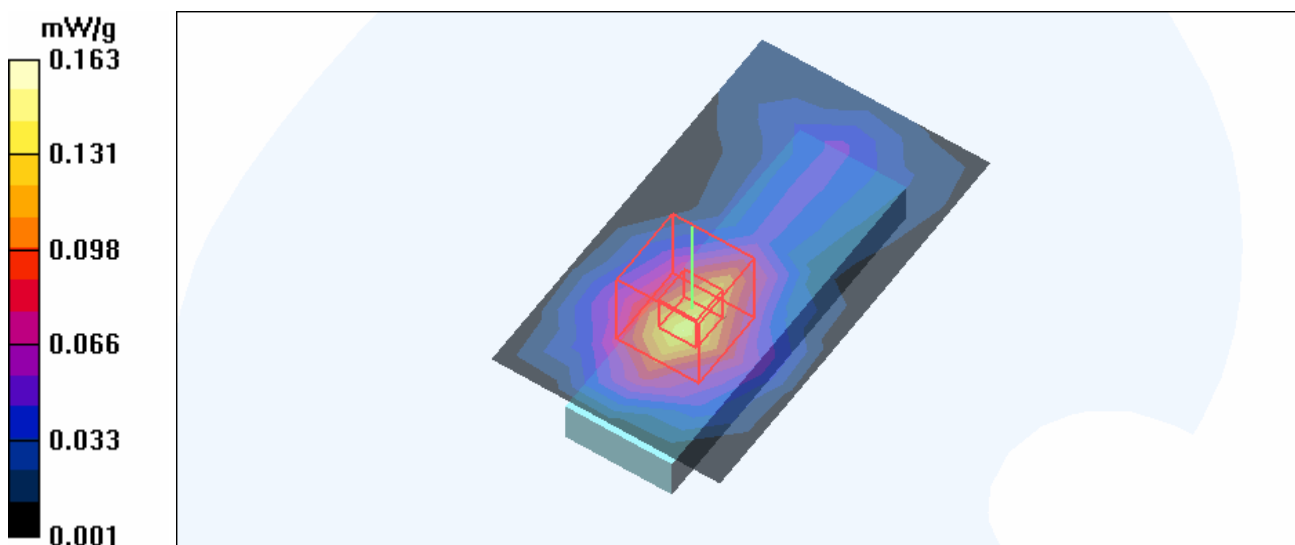
Low Channel 1/Zoom Scan (7x7x7)/Cube 0: Measurement grid: dx=5mm, dy=5mm, dz=5mm

Reference Value = 8.08 V/m

Peak SAR (extrapolated) = 0.366 W/kg

SAR(1 g) = 0.149 mW/g; SAR(10 g) = 0.072 mW/g

Maximum value of SAR (measured) = 0.163 mW/g



Test Laboratory: Advance Data Technology

N800C-11g-CH6-Mode 6

DUT: USB XR Wireless Adapter ; Type: WUBR-185G ; Test Frequency: 2437 MHz

Communication System: 802.11g ; Frequency: 2437 MHz ; Duty Cycle: 1:1 ; Modulation type: BPSK
 Medium: MSL2450 Medium parameters used : $f = 2437$ MHz; $\sigma = 1.95$ mho/m; $\epsilon_r = 53.8$; $\rho = 1000$ kg/m³ ; Liquid level : 150 mm

Phantom section: Flat Section ; Separation distance : 5 mm (The bottom side of the EUT to the Phantom)
 Antenna type : Printed Antenna ; Air temp. : 22.3 degrees ; Liquid temp. : 21.1 degrees

DASY4 Configuration:

- Probe: EX3DV4 - SN3578; ConvF(6.47, 6.47, 6.47) ; Calibrated: 2006/3/20
- Sensor-Surface: 4mm (Mechanical Surface Detection)
- Electronics: DAE3 Sn579 ; Calibrated: 2006/3/15
- Phantom: SAM 12 ; Type: SAM V4.0 ; Serial: TP 1202
- Measurement SW: DASY4, V4.7 Build 44 ; Postprocessing SW: SEMCAD, V1.8 Build 171

Mid Channel 6/Area Scan (5x8x1): Measurement grid: dx=15mm, dy=15mm

Maximum value of SAR (measured) = 0.125 mW/g

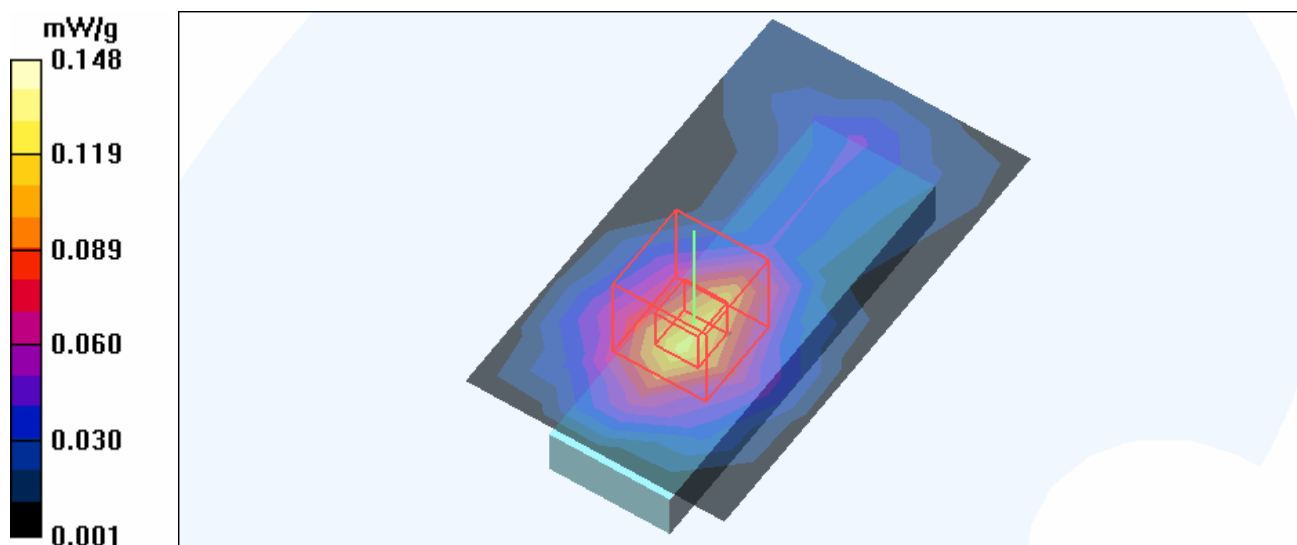
Mid Channel 6/Zoom Scan (7x7x7)/Cube 0: Measurement grid: dx=5mm, dy=5mm, dz=5mm

Reference Value = 7.66 V/m

Peak SAR (extrapolated) = 0.329 W/kg

SAR(1 g) = 0.135 mW/g; SAR(10 g) = 0.065 mW/g

Maximum value of SAR (measured) = 0.148 mW/g



Test Laboratory: Advance Data Technology

N800C-11g-CH11-Mode 6

DUT: USB XR Wireless Adapter ; Type: WUBR-185G ; Test Frequency: 2462 MHz

Communication System: 802.11g ; Frequency: 2462 MHz ; Duty Cycle: 1:1 ; Modulation type: BPSK
 Medium: MSL2450 Medium parameters used : $f = 2462$ MHz; $\sigma = 1.99$ mho/m; $\epsilon_r = 53.7$; $\rho = 1000$ kg/m³ ; Liquid level : 150 mm

Phantom section: Flat Section ; Separation distance : 5 mm (The bottom side of the EUT to the Phantom)
 Antenna type : Printed Antenna ; Air temp. : 22.3 degrees ; Liquid temp. : 21.1 degrees

DASY4 Configuration:

- Probe: EX3DV4 - SN3578; ConvF(6.47, 6.47, 6.47) ; Calibrated: 2006/3/20
- Sensor-Surface: 4mm (Mechanical Surface Detection)
- Electronics: DAE3 Sn579 ; Calibrated: 2006/3/15
- Phantom: SAM 12 ; Type: SAM V4.0 ; Serial: TP 1202
- Measurement SW: DASY4, V4.7 Build 44 ; Postprocessing SW: SEMCAD, V1.8 Build 171

High Channel 11/Area Scan (5x8x1): Measurement grid: dx=15mm, dy=15mm

Maximum value of SAR (measured) = 0.141 mW/g

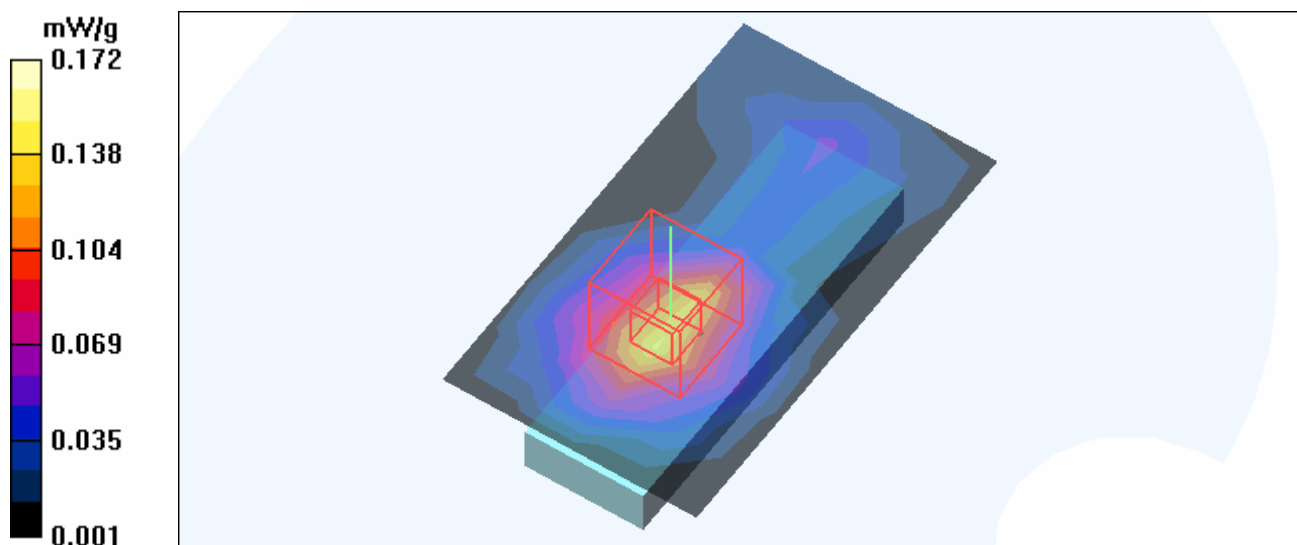
High Channel 11/Zoom Scan (7x7x7)/Cube 0: Measurement grid: dx=5mm, dy=5mm, dz=5mm

Reference Value = 8.32 V/m

Peak SAR (extrapolated) = 0.384 W/kg

SAR(1 g) = 0.159 mW/g; SAR(10 g) = 0.076 mW/g

Maximum value of SAR (measured) = 0.172 mW/g



Test Laboratory: Advance Data Technology

C600-11b-CH1-Mode 7

DUT: USB XR Wireless Adapter ; Type: WUBR-185G ; Test Frequency: 2412 MHz

Communication System: 802.11b ; Frequency: 2412 MHz ; Duty Cycle: 1:1 ; Modulation type: DBPSK
 Medium: MSL2450 Medium parameters used: $f = 2412$ MHz; $\sigma = 1.93$ mho/m; $\epsilon_r = 54$; $\rho = 1000$ kg/m³ ; Liquid level : 150 mm

Phantom section: Flat Section ; Separation distance : 5 mm (The edge side of the EUT to the Phantom)
 Antenna type : Printed Antenna ; Air temp. : 22.3 degrees ; Liquid temp. : 21.1 degrees

DASY4 Configuration:

- Probe: EX3DV4 - SN3578; ConvF(6.47, 6.47, 6.47) ; Calibrated: 2006/3/20
- Sensor-Surface: 4mm (Mechanical Surface Detection)
- Electronics: DAE3 Sn579 ; Calibrated: 2006/3/15
- Phantom: SAM 12 ; Type: SAM V4.0 ; Serial: TP 1202
- Measurement SW: DASY4, V4.7 Build 44 ; Postprocessing SW: SEMCAD, V1.8 Build 171

Low Channel 1/Area Scan (5x8x1): Measurement grid: dx=15mm, dy=15mm

Maximum value of SAR (measured) = 0.276 mW/g

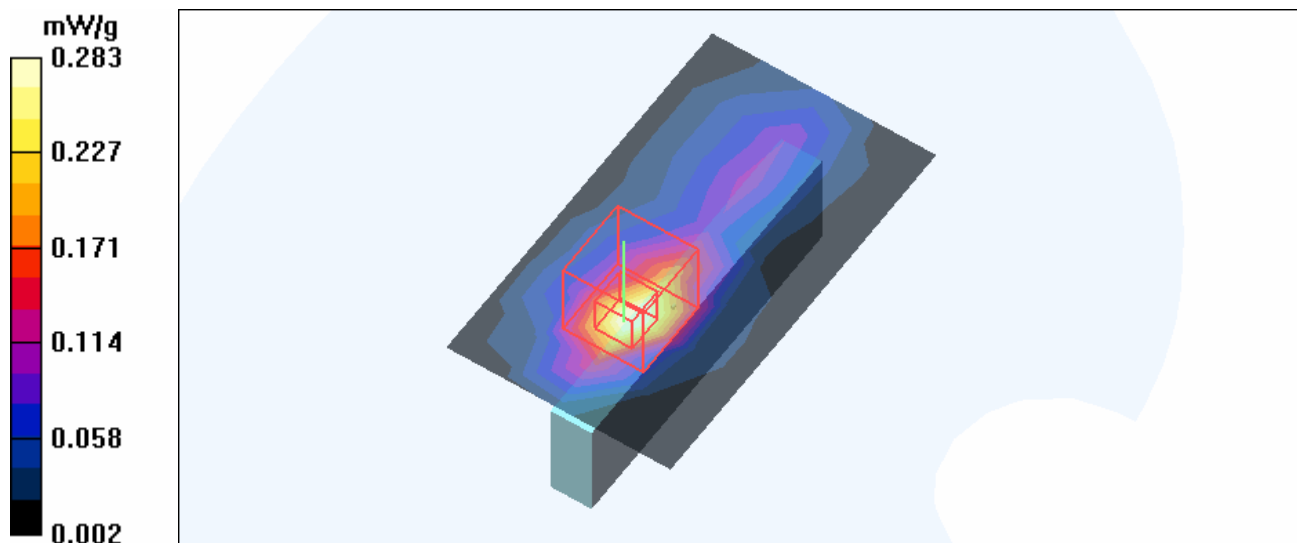
Low Channel 1/Zoom Scan (7x7x7)/Cube 0: Measurement grid: dx=5mm, dy=5mm, dz=5mm

Reference Value = 9.84 V/m

Peak SAR (extrapolated) = 0.709 W/kg

SAR(1 g) = 0.258 mW/g; SAR(10 g) = 0.109 mW/g

Maximum value of SAR (measured) = 0.283 mW/g



Test Laboratory: Advance Data Technology

C600-11b-CH6-Mode 7

DUT: USB XR Wireless Adapter ; Type: WUBR-185G ; Test Frequency: 2437 MHz

Communication System: 802.11b ; Frequency: 2437 MHz ; Duty Cycle: 1:1 ; Modulation type: DBPSK
 Medium: MSL2450 Medium parameters used : $f = 2437$ MHz; $\sigma = 1.95$ mho/m; $\epsilon_r = 53.8$; $\rho = 1000$ kg/m³ ; Liquid level : 150 mm

Phantom section: Flat Section ; Separation distance : 5 mm (The edge side of the EUT to the Phantom)

Antenna type : Printed Antenna ; Air temp. : 22.3 degrees ; Liquid temp. : 21.1 degrees

DASY4 Configuration:

- Probe: EX3DV4 - SN3578; ConvF(6.47, 6.47, 6.47) ; Calibrated: 2006/3/20
- Sensor-Surface: 4mm (Mechanical Surface Detection)
- Electronics: DAE3 Sn579 ; Calibrated: 2006/3/15
- Phantom: SAM 12 ; Type: SAM V4.0 ; Serial: TP 1202
- Measurement SW: DASY4, V4.7 Build 44 ; Postprocessing SW: SEMCAD, V1.8 Build 171

Mid Channel 6/Area Scan (5x8x1): Measurement grid: dx=15mm, dy=15mm

Maximum value of SAR (measured) = 0.258 mW/g

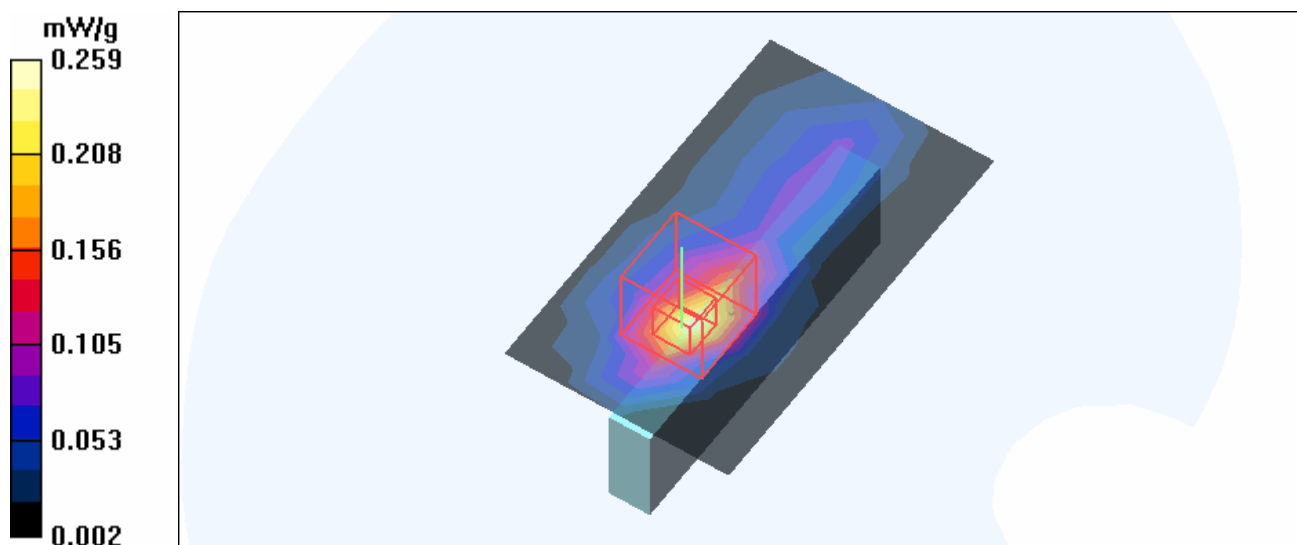
Mid Channel 6/Zoom Scan (7x7x7)/Cube 0: Measurement grid: dx=5mm, dy=5mm, dz=5mm

Reference Value = 9.51 V/m

Peak SAR (extrapolated) = 0.640 W/kg

SAR(1 g) = 0.236 mW/g; SAR(10 g) = 0.101 mW/g

Maximum value of SAR (measured) = 0.259 mW/g



Test Laboratory: Advance Data Technology

C600-11b-CH11-Mode 7

DUT: USB XR Wireless Adapter ; Type: WUBR-185G ; Test Frequency: 2462 MHz

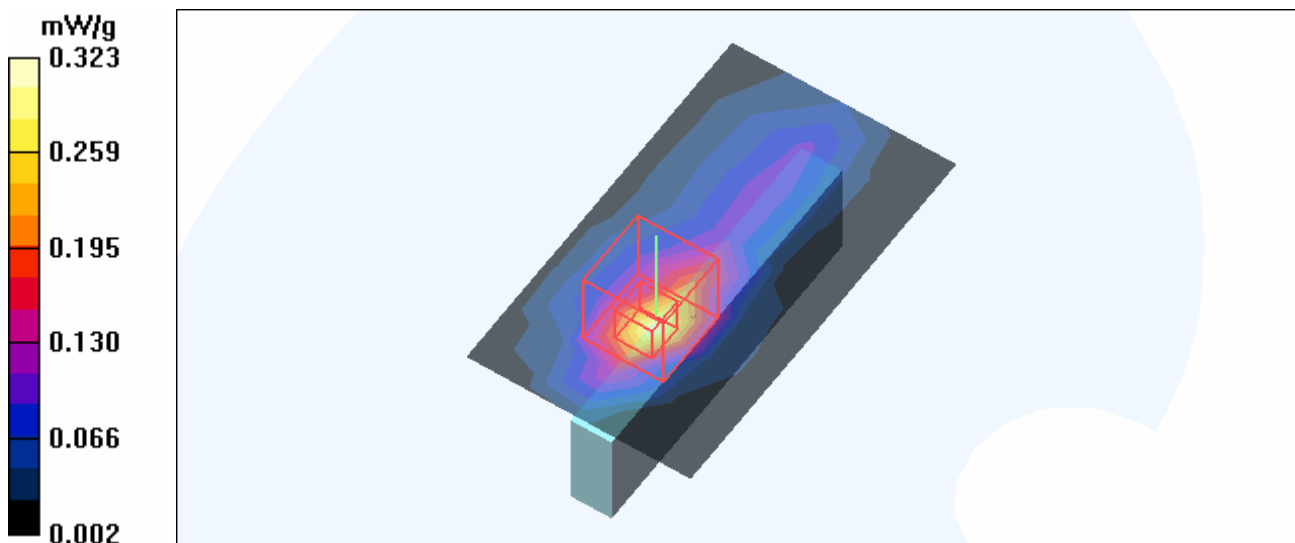
Communication System: 802.11b ; Frequency: 2462 MHz ; Duty Cycle: 1:1 ; Modulation type: DBPSK
 Medium: MSL2450 Medium parameters used : $f = 2462 \text{ MHz}$; $\sigma = 1.99 \text{ mho/m}$; $\epsilon_r = 53.7$; $\rho = 1000 \text{ kg/m}^3$; Liquid level : 150 mm
 Phantom section: Flat Section ; Separation distance : 5 mm (The edge side of the EUT to the Phantom)
 Antenna type : Printed Antenna ; Air temp. : 22.3 degrees ; Liquid temp. : 21.1 degrees

DASY4 Configuration:

- Probe: EX3DV4 - SN3578; ConvF(6.47, 6.47, 6.47) ; Calibrated: 2006/3/20
- Sensor-Surface: 4mm (Mechanical Surface Detection)
- Electronics: DAE3 Sn579 ; Calibrated: 2006/3/15
- Phantom: SAM 12 ; Type: SAM V4.0 ; Serial: TP 1202
- Measurement SW: DASY4, V4.7 Build 44 ; Postprocessing SW: SEMCAD, V1.8 Build 171

High Channel 11/Area Scan (5x8x1): Measurement grid: dx=15mm, dy=15mm
 Maximum value of SAR (measured) = 0.364 mW/g

High Channel 11/Zoom Scan (7x7x7)/Cube 0: Measurement grid: dx=5mm, dy=5mm, dz=5mm
 Reference Value = 12.1 V/m
 Peak SAR (extrapolated) = 0.783 W/kg
SAR(1 g) = 0.293 mW/g; SAR(10 g) = 0.125 mW/g
 Maximum value of SAR (measured) = 0.323 mW/g



Test Laboratory: Advance Data Technology

C600-11g-CH1-Mode 8

DUT: USB XR Wireless Adapter ; Type: WUBR-185G ; Test Frequency: 2412 MHz

Communication System: 802.11g ; Frequency: 2412 MHz ; Duty Cycle: 1:1 ; Modulation type: BPSK
Medium: MSL2450 Medium parameters used: $f = 2412$ MHz; $\sigma = 1.93$ mho/m; $\epsilon_r = 54$; $\rho = 1000$ kg/m³ ; Liquid level : 150 mm
Phantom section: Flat Section ; Separation distance : 5 mm (The edge side of the EUT to the Phantom)
Antenna type : Printed Antenna ; Air temp. : 22.3 degrees ; Liquid temp. : 21.1 degrees

DASY4 Configuration:

- Probe: EX3DV4 - SN3578; ConvF(6.47, 6.47, 6.47) ; Calibrated: 2006/3/20
- Sensor-Surface: 4mm (Mechanical Surface Detection)
- Electronics: DAE3 Sn579 ; Calibrated: 2006/3/15
- Phantom: SAM 12 ; Type: SAM V4.0 ; Serial: TP 1202
- Measurement SW: DASY4, V4.7 Build 44 ; Postprocessing SW: SEMCAD, V1.8 Build 171

Low Channel 1/Area Scan (5x8x1): Measurement grid: dx=15mm, dy=15mm

Maximum value of SAR (measured) = 0.112 mW/g

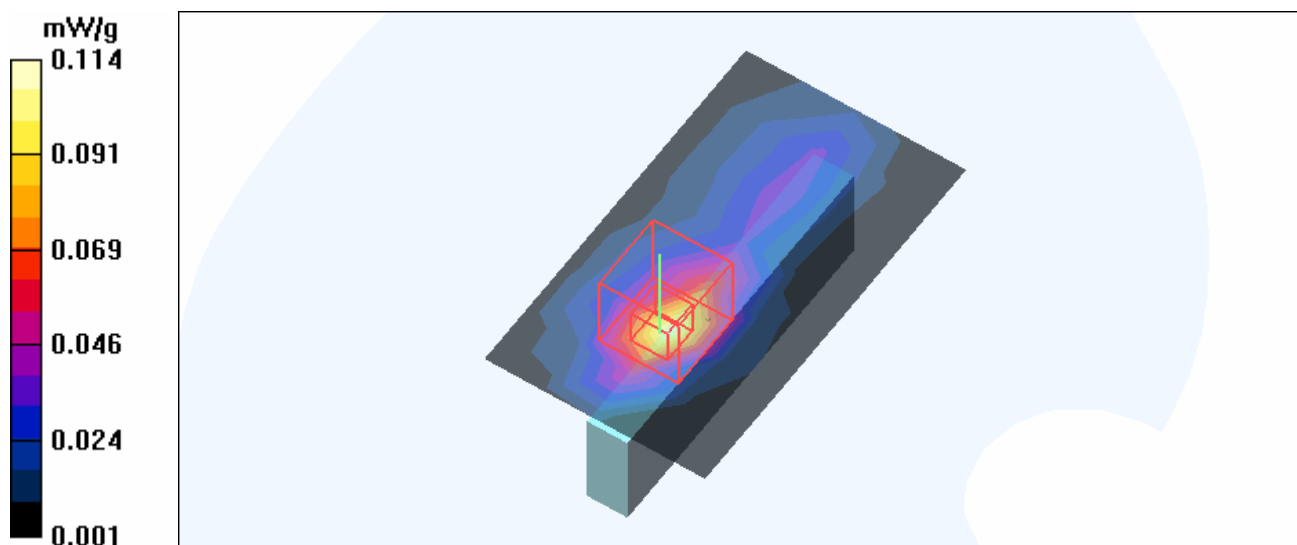
Low Channel 1/Zoom Scan (7x7x7)/Cube 0: Measurement grid: dx=5mm, dy=5mm, dz=5mm

Reference Value = 6.26 V/m

Peak SAR (extrapolated) = 0.283 W/kg

SAR(1 g) = 0.103 mW/g; SAR(10 g) = 0.044 mW/g

Maximum value of SAR (measured) = 0.114 mW/g



Test Laboratory: Advance Data Technology

C600-11g-CH6-Mode 8

DUT: USB XR Wireless Adapter ; Type: WUBR-185G ; Test Frequency: 2437 MHz

Communication System: 802.11g ; Frequency: 2437 MHz ; Duty Cycle: 1:1 ; Modulation type: BPSK
 Medium: MSL2450 Medium parameters used : $f = 2437 \text{ MHz}$; $\sigma = 1.95 \text{ mho/m}$; $\epsilon_r = 53.8$; $\rho = 1000 \text{ kg/m}^3$; Liquid level : 150 mm

Phantom section: Flat Section ; Separation distance : 5 mm (The edge side of the EUT to the Phantom)
 Antenna type : Printed Antenna ; Air temp. : 22.3 degrees ; Liquid temp. : 21.1 degrees

DASY4 Configuration:

- Probe: EX3DV4 - SN3578; ConvF(6.47, 6.47, 6.47) ; Calibrated: 2006/3/20
- Sensor-Surface: 4mm (Mechanical Surface Detection)
- Electronics: DAE3 Sn579 ; Calibrated: 2006/3/15
- Phantom: SAM 12 ; Type: SAM V4.0 ; Serial: TP 1202
- Measurement SW: DASY4, V4.7 Build 44 ; Postprocessing SW: SEMCAD, V1.8 Build 171

Mid Channel 6/Area Scan (5x8x1): Measurement grid: $dx=15\text{mm}$, $dy=15\text{mm}$

Maximum value of SAR (measured) = 0.105 mW/g

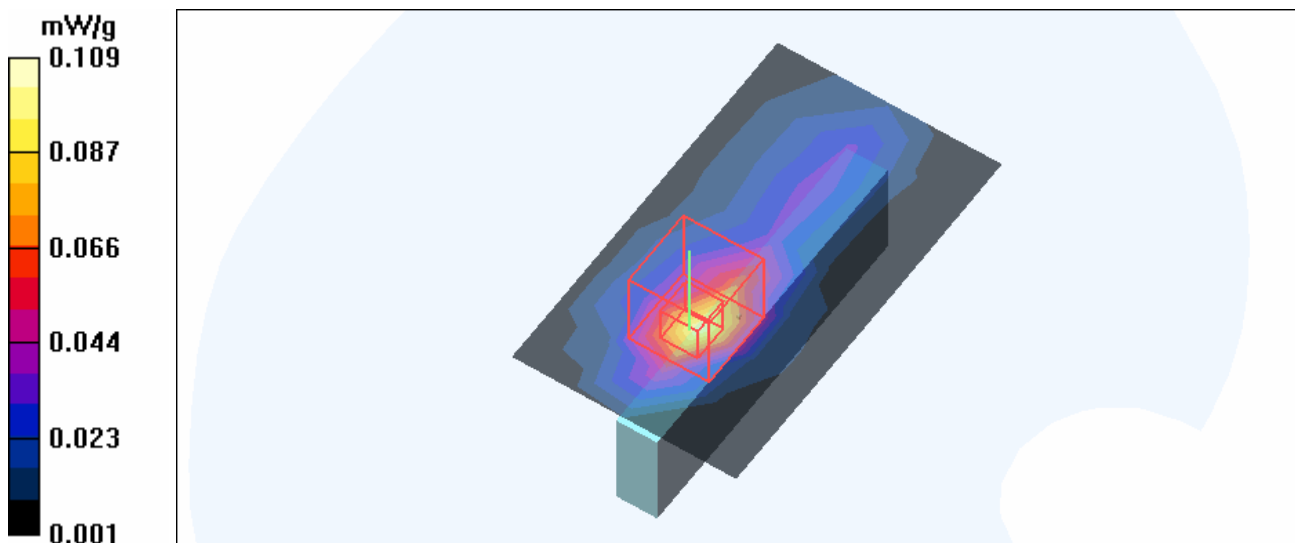
Mid Channel 6/Zoom Scan (7x7x7)/Cube 0: Measurement grid: $dx=5\text{mm}$, $dy=5\text{mm}$, $dz=5\text{mm}$

Reference Value = 6.08 V/m

Peak SAR (extrapolated) = 0.268 W/kg

SAR(1 g) = 0.098 mW/g; SAR(10 g) = 0.041 mW/g

Maximum value of SAR (measured) = 0.109 mW/g



Test Laboratory: Advance Data Technology

C600-11g-CH11-Mode 8

DUT: USB XR Wireless Adapter ; Type: WUBR-185G ; Test Frequency: 2462 MHz

Communication System: 802.11g ; Frequency: 2462 MHz ; Duty Cycle: 1:1 ; Modulation type: BPSK
Medium: MSL2450 Medium parameters used : $f = 2462$ MHz; $\sigma = 1.99$ mho/m; $\epsilon_r = 53.7$; $\rho = 1000$ kg/m³ ; Liquid level : 150 mm

Phantom section: Flat Section ; Separation distance : 5 mm (The edge side of the EUT to the Phantom)
Antenna type : Printed Antenna ; Air temp. : 22.3 degrees ; Liquid temp. : 21.1 degrees

DASY4 Configuration:

- Probe: EX3DV4 - SN3578; ConvF(6.47, 6.47, 6.47) ; Calibrated: 2006/3/20
- Sensor-Surface: 4mm (Mechanical Surface Detection)
- Electronics: DAE3 Sn579 ; Calibrated: 2006/3/15
- Phantom: SAM 12 ; Type: SAM V4.0 ; Serial: TP 1202
- Measurement SW: DASY4, V4.7 Build 44 ; Postprocessing SW: SEMCAD, V1.8 Build 171

High Channel 11/Area Scan (5x8x1): Measurement grid: dx=15mm, dy=15mm

Maximum value of SAR (measured) = 0.127 mW/g

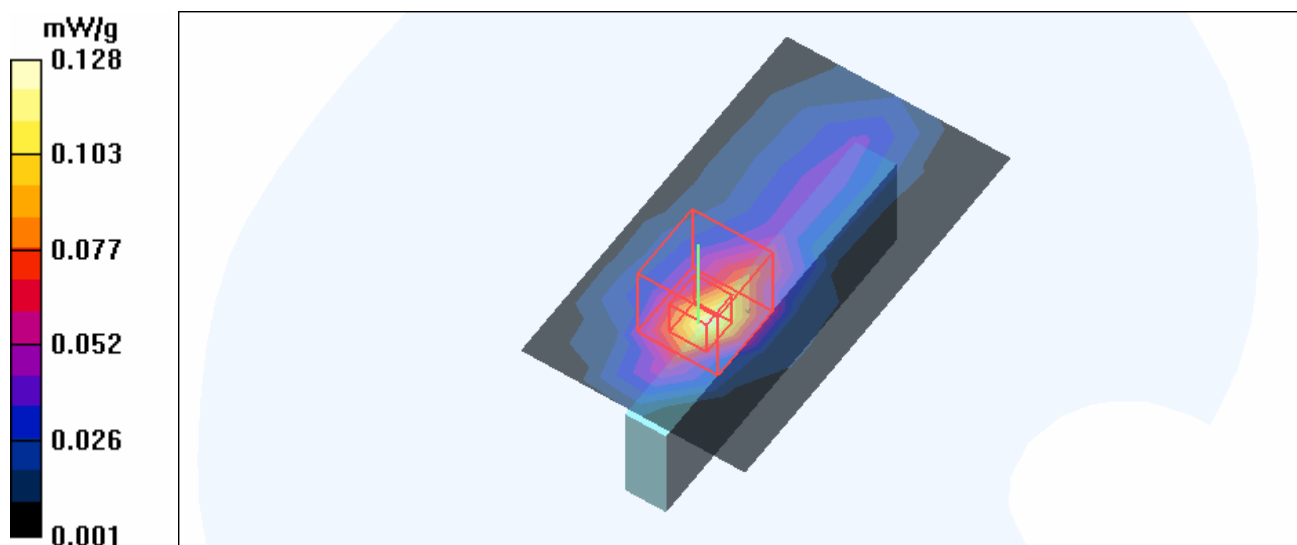
High Channel 11/Zoom Scan (7x7x7)/Cube 0: Measurement grid: dx=5mm, dy=5mm, dz=5mm

Reference Value = 6.57 V/m

Peak SAR (extrapolated) = 0.312 W/kg

SAR(1 g) = 0.116 mW/g; SAR(10 g) = 0.050 mW/g

Maximum value of SAR (measured) = 0.128 mW/g



Test Laboratory: Advance Data Technology

System Validation Check-MSL 2450MHz

DUT: Dipole 2450 MHz ; Type: D2450V2 ; Serial: 737 ; Test Frequency: 2450 MHz

Communication System: CW ; Frequency: 2450 MHz; Duty Cycle: 1:1; Modulation type: CW
 Medium: MSL2450; Medium parameters used: $f = 2450$ MHz; $\sigma = 1.97$ mho/m; $\epsilon_r = 53.8$; $\rho = 1000$ kg/m³ ; Liquid level : 150 mm
 Phantom section: Flat Section ; Separation distance : 10 mm (The feetpoint of the dipole to the Phantom) Air temp. : 22.3 degrees ; Liquid temp. : 21.1 degrees

DASY4 Configuration:

- Probe: EX3DV4 - SN3578; ConvF(6.47, 6.47, 6.47) ; Calibrated: 2006/3/20
- Sensor-Surface: 4mm (Mechanical Surface Detection)
- Electronics: DAE3 Sn579; Calibrated: 2006/3/15
- Phantom: SAM 12; Type: SAM V4.0; Serial: TP 1202
- Measurement SW: DASY4, V4.7 Build 44; Postprocessing SW: SEMCAD, V1.8 Build 171

d=10mm, Pin=250mW/Area Scan (5x7x1): Measurement grid: dx=15mm, dy=15mm
 Maximum value of SAR (measured) = 15.1 mW/g

d=10mm, Pin=250mW/Zoom Scan (7x7x7)/Cube 0: Measurement grid: dx=5mm, dy=5mm, dz=5mm

Reference Value = 88.5 V/m; Power Drift = -0.138 dB

Peak SAR (extrapolated) = 30.7 W/kg

SAR(1 g) = 13.5 mW/g; SAR(10 g) = 6.11 mW/g

Maximum value of SAR (measured) = 15.0 mW/g

