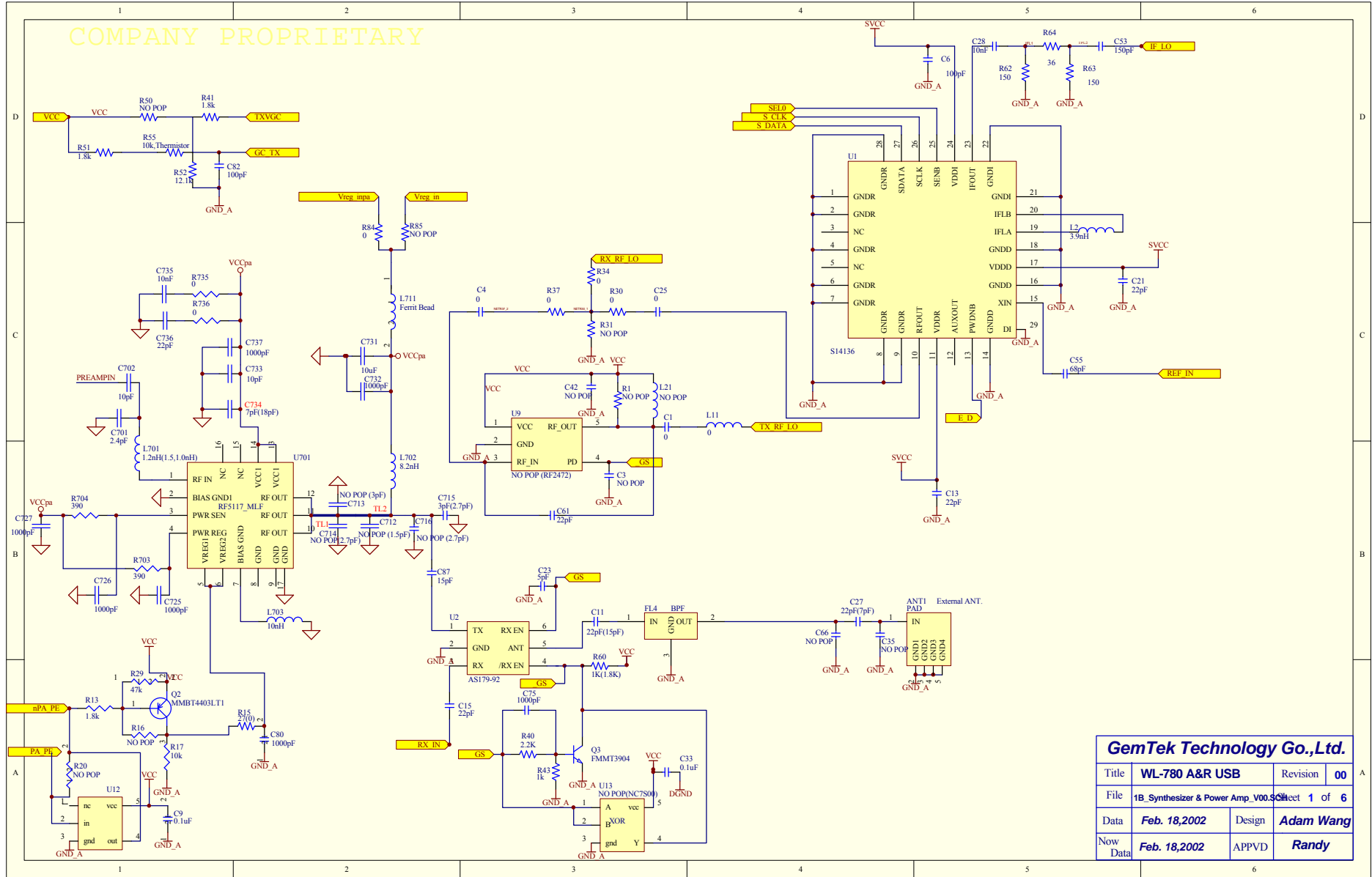
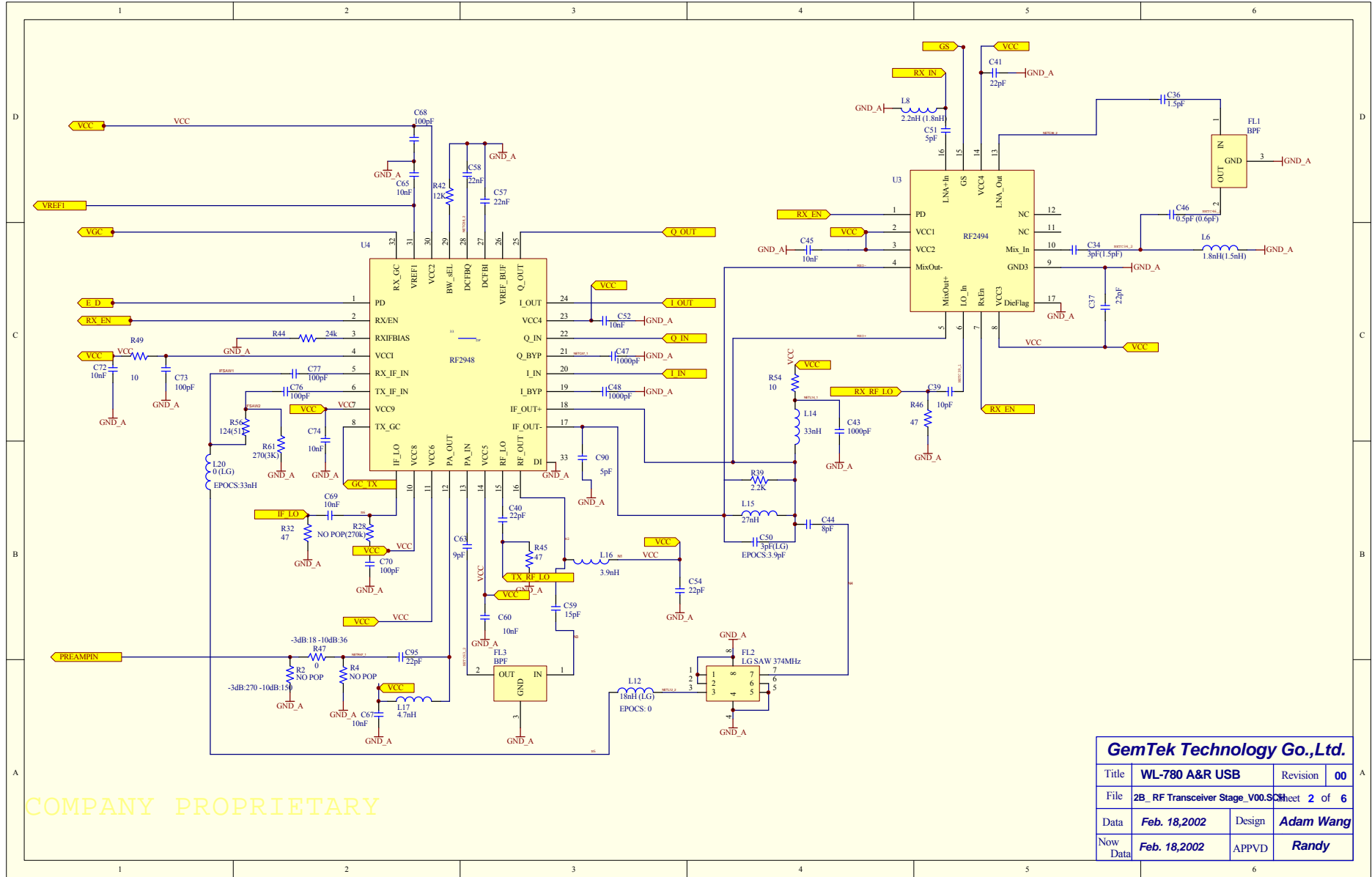


GemTek Technology Go.,Ltd.			
Title	WL-780 A&R USB	Revision	00
File	WL-780_V00.PRJ	Sheet	0 of 6
Data	Feb. 18,2002	Design	Adam Wang
Now Data	Feb. 18,2002	APPVD	Randy

COMPANY PROPRIETARY



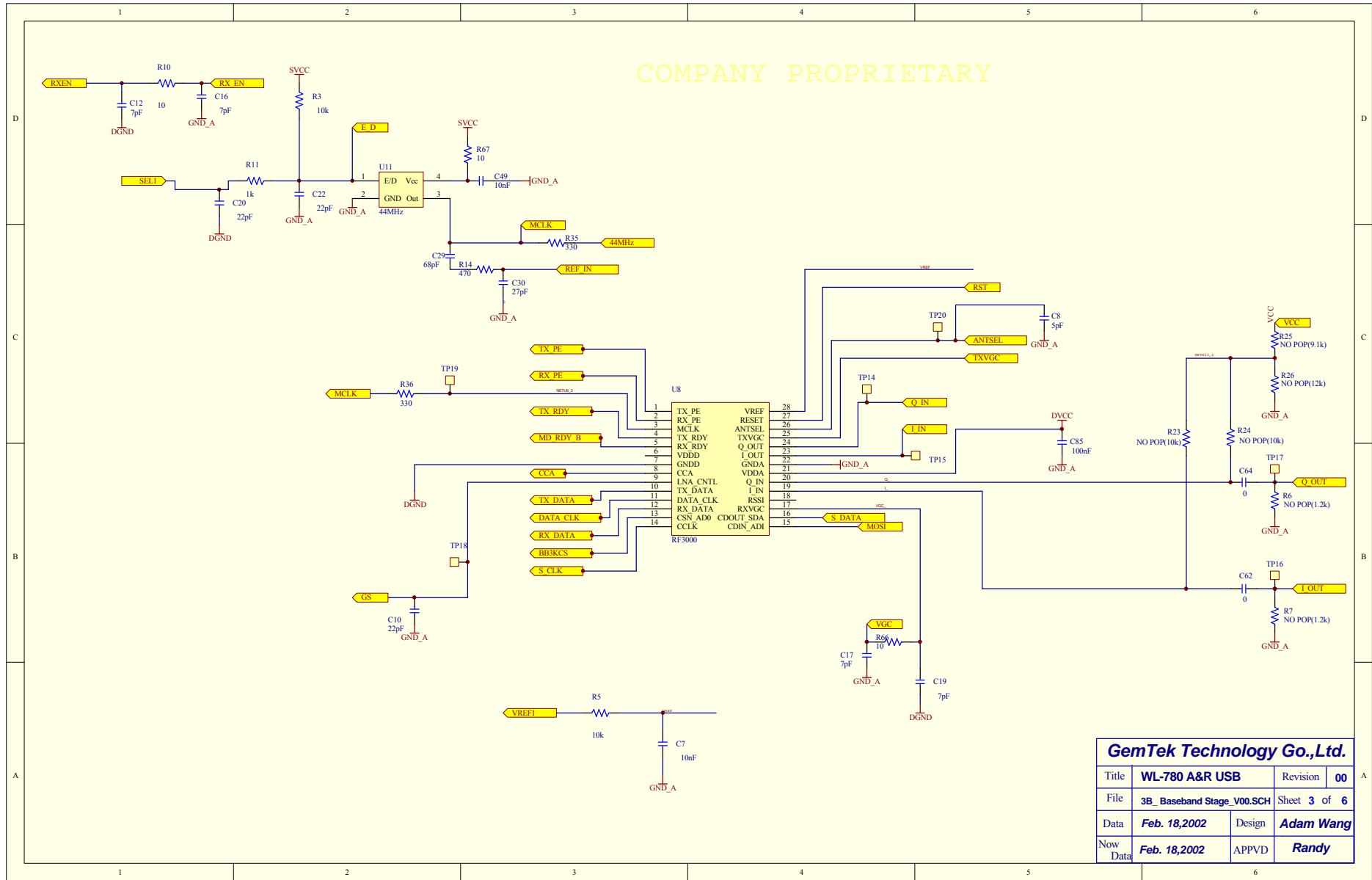
GemTek Technology Go.,Ltd.		
Title	WL-780 A&R USB	Revision 00
File	1B_Synthesizer & Power Amp_V00	Sheet 1 of 6
Data	Feb. 18,2002	Design Adam Wang
Now Data	Feb. 18,2002	APPVD Randy



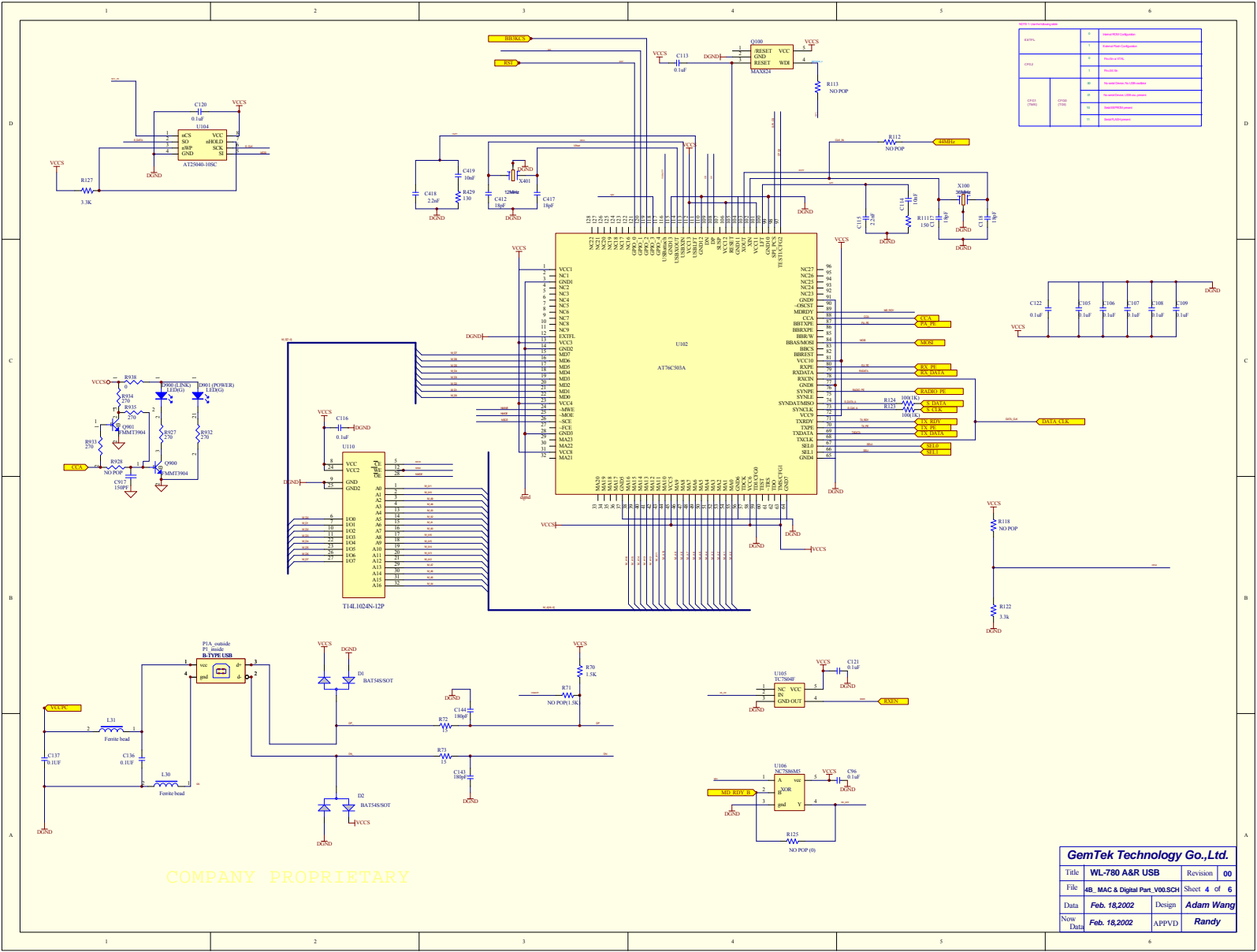
COMPANY PROPRIETARY

GemTek Technology Go.,Ltd.		
Title	WL-780 A&R USB	Revision 00
File	2B_RF Transceiver Stage_V00.SCH	Sheet 2 of 6
Date	Feb. 18,2002	Design Adam Wang
Now Data	Feb. 18,2002	APPVD Randy

COMPANY PROPRIETARY



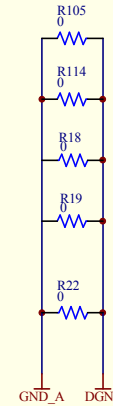
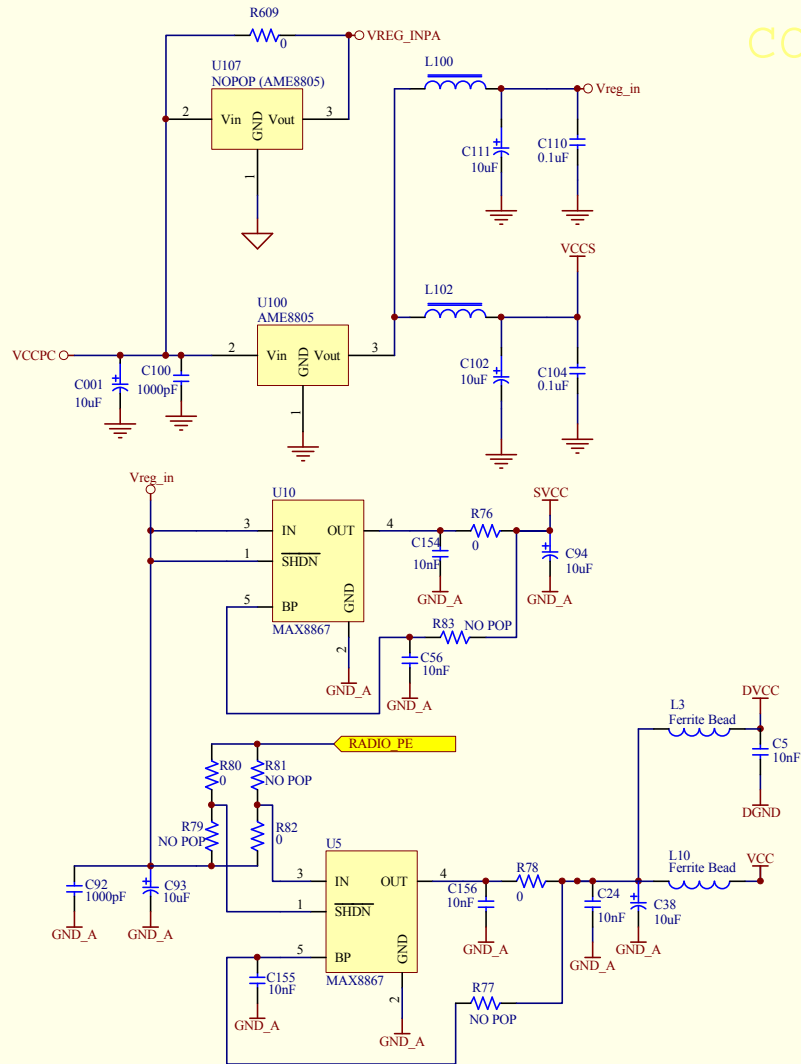
GemTek Technology Go.,Ltd.		
Title	WL-780 A&R USB	Revision 00
File	3B_Baseband Stage_V00.SCH	Sheet 3 of 6
Data	Feb. 18,2002	Design Adam Wang
Now Data	Feb. 18,2002	APPVD Randy



COMPANY PROPRIETARY

GemTek Technology Co., Ltd.		
Title	WL-780 A&R USB	Revision 00
File	4B_MAC & Digital Part_V00.SCH	Sheet 4 of 6
Date	Feb. 18, 2002	Design Adam Wang
Now Date	Feb. 18, 2002	APP/ID Randy

COMPANY PROPRIETARY



GemTek Technology Go.,Ltd.			
Title	WL-780 A&R USB	Revision	00
File	5B_Power Voltage Regulators_V00.SCH	Sheet	5 of 6
Data	Feb. 18,2002	Design	Adam Wang
Now Data	Feb. 18,2002	APPVD	Randy