

WL-373-1  
WL-375S1V02A.SCH

HA0	HIREQ*
HA1	HSTSCHG*
HA2	HWAIT*
HA3	VCC
HA4	HINPACK*
HA5	HOE*
HA6	HIREG*
HA7	HIORD*
HA8	HIOWR*
HA9	HCE1*
HD3	HCE2*
HD4	HWE*
HD5	LED1
HD6	RESET
HD7	
HD0	
HD1	
HD2	
HD11	
HD12	
HD13	
HD14	
HD15	
HD8	
HD9	
HD10	

WL-373-2  
WL-375S2V02A.SCH

LED1	HINPACK*
44MHZ REF	HIREQ*
44MHZ REF	HSTSCHG*
HA0	HWAIT*
HA1	CAL_EN
HA2	ANTSEL*
HA3	ANTSEL
HA4	PA_PE
HA5	SD_RF_IF
HA6	PE2
HA7	PE1
HA8	LE_RF
HA9	LE_IF
HD15	RADIO_PE
HD14	TX_IF_AGC
HD13	RX_IF_AGC
HD12	RX_RF_AGC
HD11	TR_SW*
HD10	TR_SW
HD9	SCLK_RF_IF
HD8	TXQ+
HD7	TXQ
HD6	TXL
HD5	TXI+
HD4	
HD3	
HD2	
HD1	
HD0	
HOE*	
HIREG*	
HIORD*	
HIOWR*	
HCE1*	
HCE2*	
HWE*	
RESET	
TX_DET	
IF_DET	
VREF	
RXI+	
RXL	
RXQ	
RXQ+	

WL-373-3  
WL-375S3V02A.SCH

IF-	
IF+	
TX_IF_AGC	
RX_IF_AGC	
IF_DET	
PE1	
PE2	
CAL_EN	
SCLK_RF_IF	
SD_RF_IF	
LE_IF	
44MHZ REF	
TXQ	
TXQ+	
VREF	
TXL	
TXI+	
RXQ	
RXQ+	
RXL	
RXI+	
RADIO_PE	
44MHZ_CW	

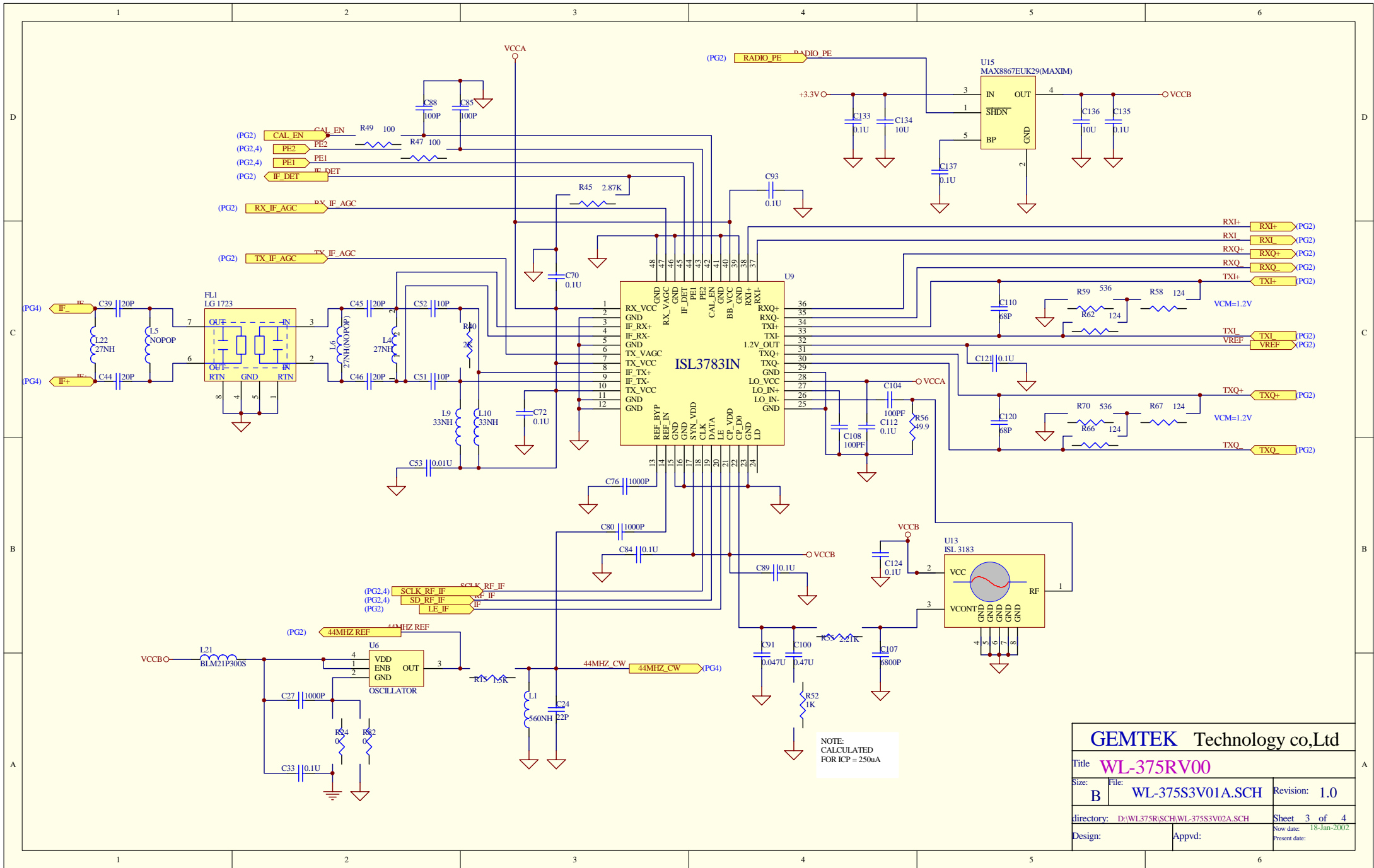
WL-373-4  
WL-375S4V02A.SCH

PA_PE	
TX_DET	
PE1	
PE2	
ANTSEL	
ANTSEL*	
TR_SW	
TR_SW*	
IF-	
IF+	
44MHZ_CW	
SCLK_RF_IF	
SD_RF_IF	
LE_RF	
RX_RF_AGC	

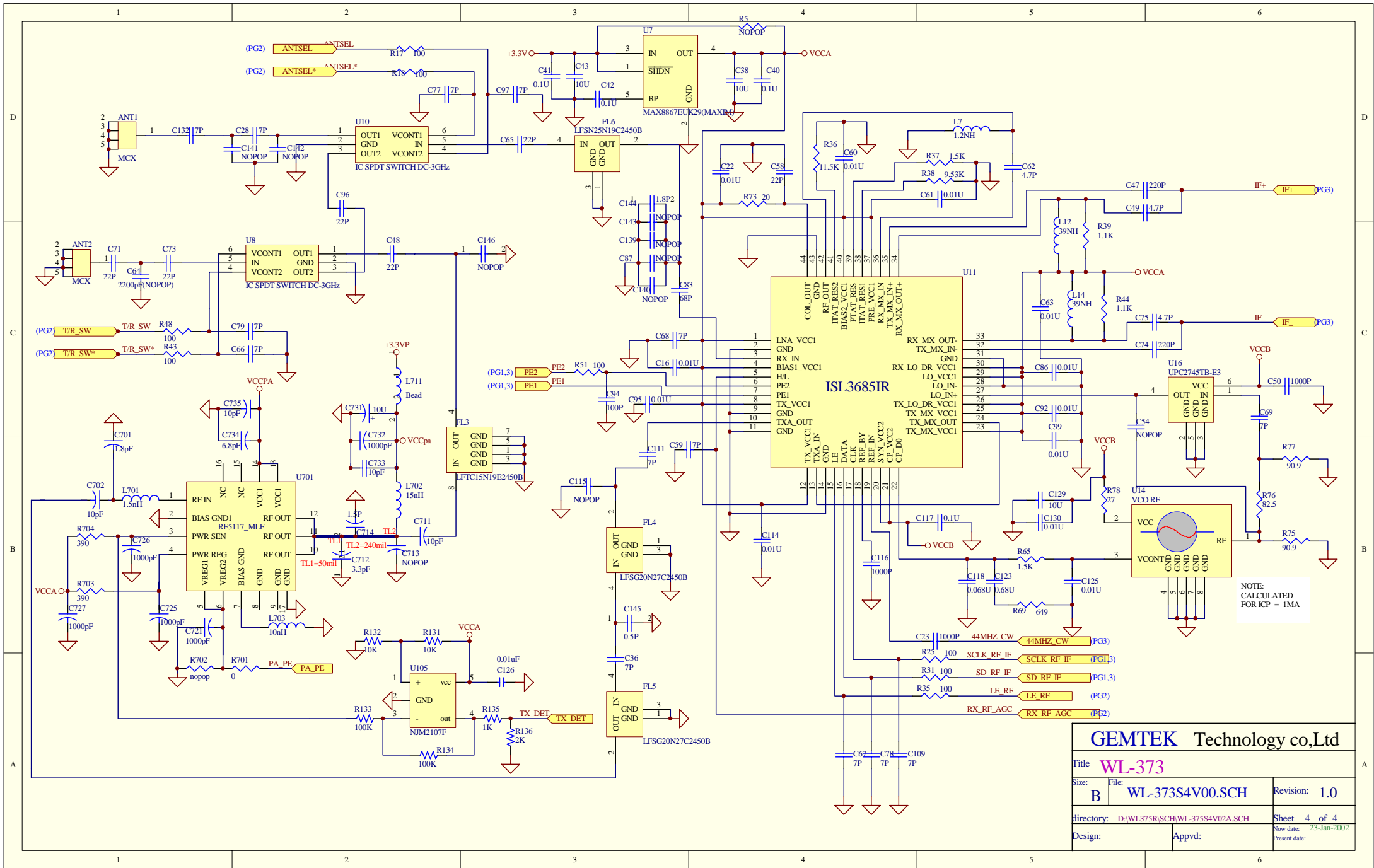
# WL-375RV00

## 08.28'01

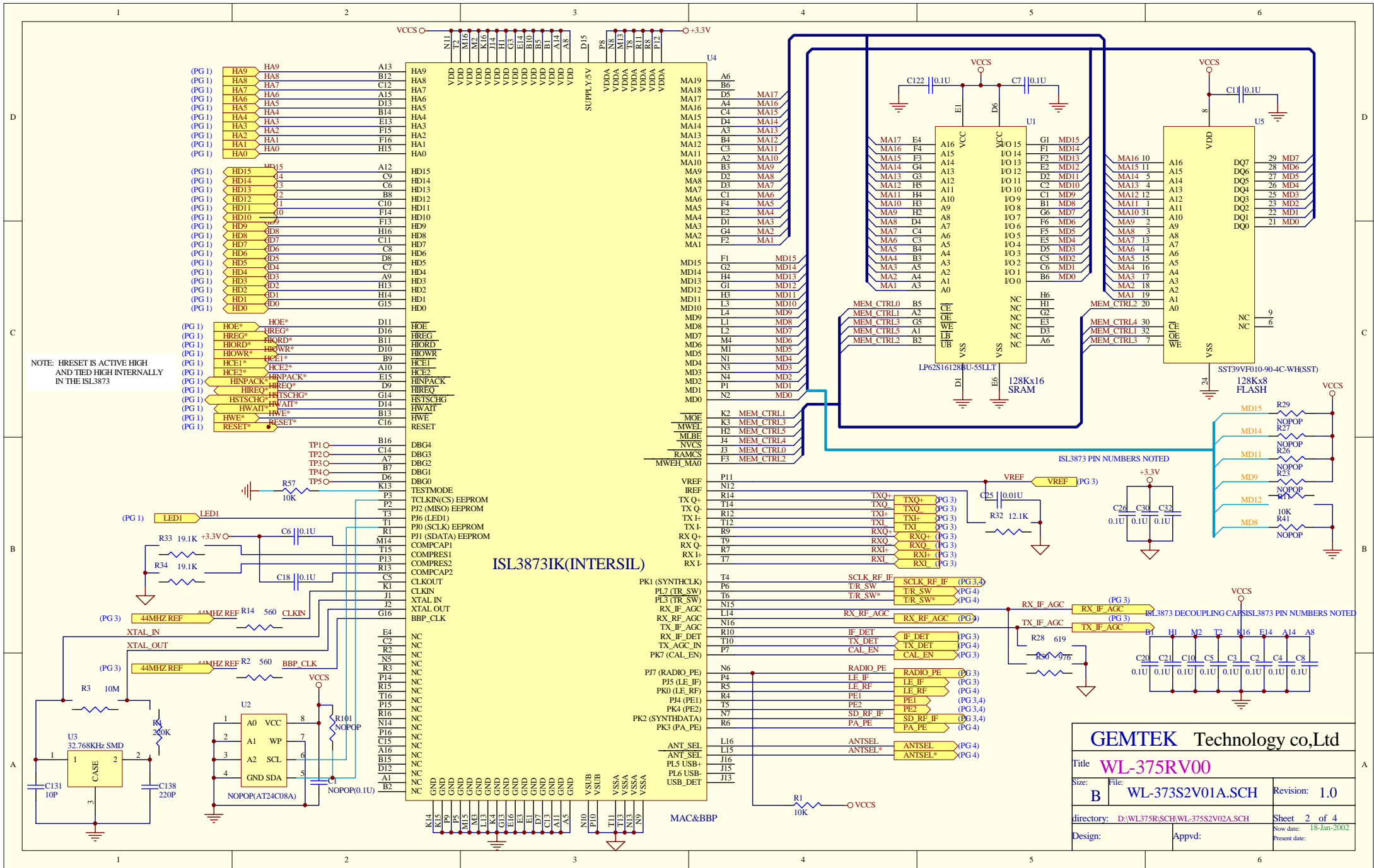
GEMTEK Technology co,Ltd		
Title	WL-375RV00	
Size:	B	Revision: 1.0
File:	WL-375SV01.PRJ	
directory:	D:\WL375R\SCH\WL-375SV02A.prj	Sheet 0 of 4
Design:	Appvd:	Now date: 18-Jan-2002 Present date:



<b>GEMTEK Technology co,Ltd</b>		
Title <b>WL-375RV00</b>		
Size: <b>B</b>	File: <b>WL-375S3V01A.SCH</b>	Revision: <b>1.0</b>
directory: <b>D:\WL375R\SCH\WL-375S3V02A.SCH</b>	Sheet <b>3</b> of <b>4</b>	
Design:	Appvd:	Now date: <b>18-Jan-2002</b> Present date:



<b>GEMTEK Technology co,Ltd</b>		
Title <b>WL-373</b>		
Size: <b>B</b>	File: <b>WL-373S4V00.SCH</b>	Revision: <b>1.0</b>
directory: <b>D:\WL375R\SCH\WL-375S4V02A.SCH</b>	Sheet <b>4</b> of <b>4</b>	
Design:	Appvd:	Now date: <b>23-Jan-2002</b> Present date:

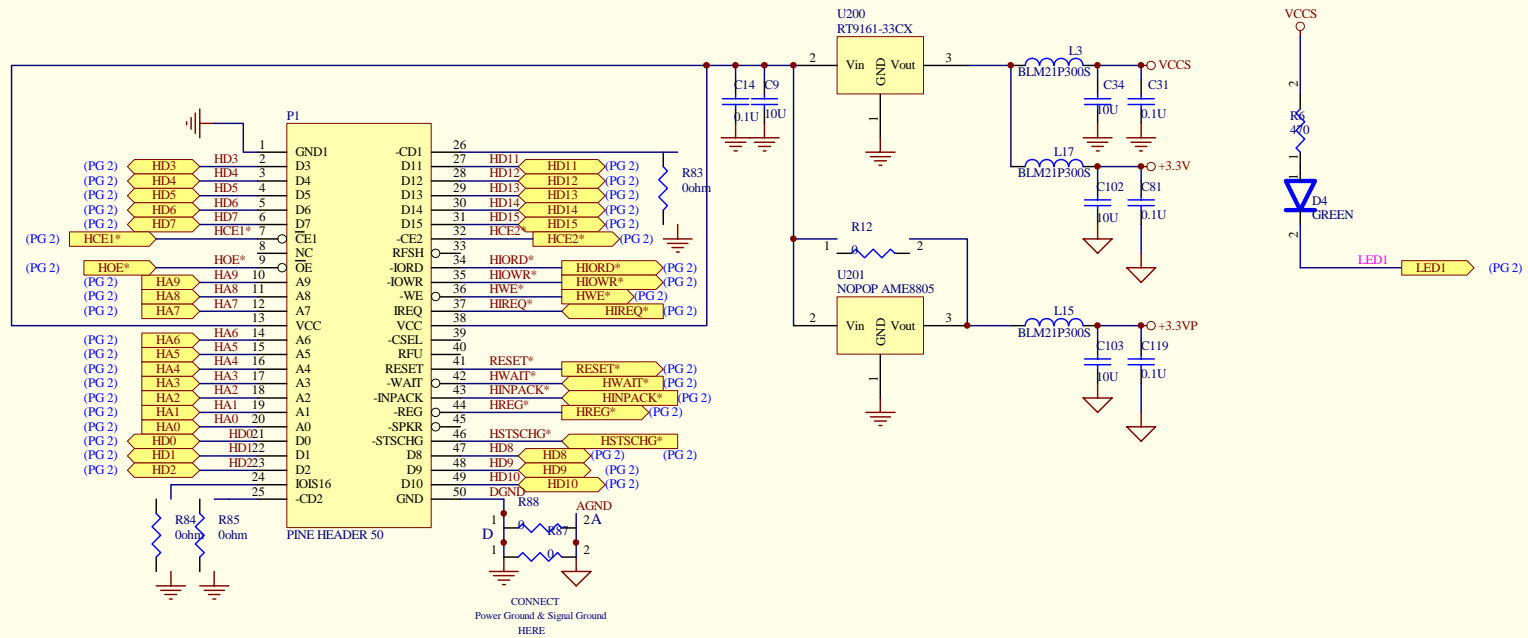


NOTE: HRESET IS ACTIVE HIGH AND TIED HIGH INTERNALLY IN THE ISL3873

**ISL3873IK (INTERSIL)**

**GEMTEK Technology co, Ltd**

Title <b>WL-375RV00</b>		Revision: 1.0
Size: <b>B</b>	File: <b>WL-373S2V01A.SCH</b>	Sheet 2 of 4
directory: D:\WL375R\SCH\WL-375S2V02A.SCH	Design:	Appvd:
Now date: 18-Jan-2002		Present date:



**GEMTEK Technology co,Ltd**

Title		WL-375RV00	
Size:	File:	WL-375S1V01A.SCH	Revision: 1.0
directory:	D:\WL375R\SCH\WL-375S1V02A.SCH	Sheet	1 of 4
Design:	Appvd:	Now date:	18-Jan-2002
		Present date:	