

*EQUIPMENT:* Transmitter M887649

Radiated Photographs



**Section 4. Test Equipment List**

Nemko ID	Description	Manufacturer Model Number	Serial Number	Calibration Date	Calibration Due
759	ANTENNA, LOG PERIODIC	A.H. SYSTEMS SAS-200/510	556	07/23/04	08/23/05
791	PREAMP, 25dB	ICC LNA25	398	11/12/04	11/12/05
1484	Cable 2.0-18.0 Ghz	Storm PR90-010-072	N/A	08/26/04	08/26/05
1485	Cable 2.0-18.0 Ghz	Storm PR90-010-216	N/A	08/26/04	08/26/05
1464	Spectrum analyzer	Hewlett Packard 8563E	3551A04428	01/14/05	01/15/07
1016	Pre-Amp	HEWLETT PACKARD 8449A	2749A00159	11/12/04	11/12/05
1304	HORN ANTENNA	ELECTRO METRICS RGA-60	6151	09/22/03	09/22/05

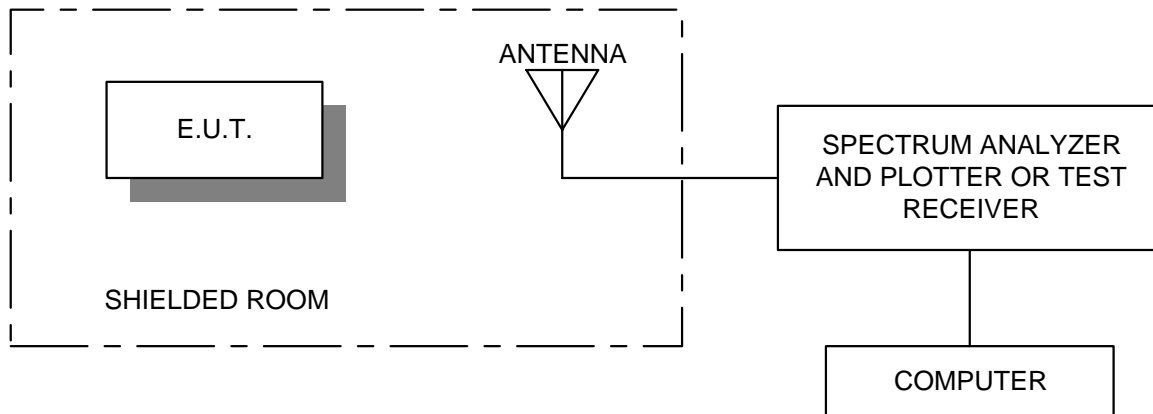
**Note: Calibration was extended for 30 days on asset 759**

*EQUIPMENT:* Transmitter M887649

---

**ANNEX A**  
**TEST DIAGRAMS**

**Radiated Prescan**



EQUIPMENT: Transmitter M887649

---

**Test Site For Radiated Emissions**

