

Rev.	Description	Appr.
1.0	first issue	KLWen

結構確認	電子確認	安規確認

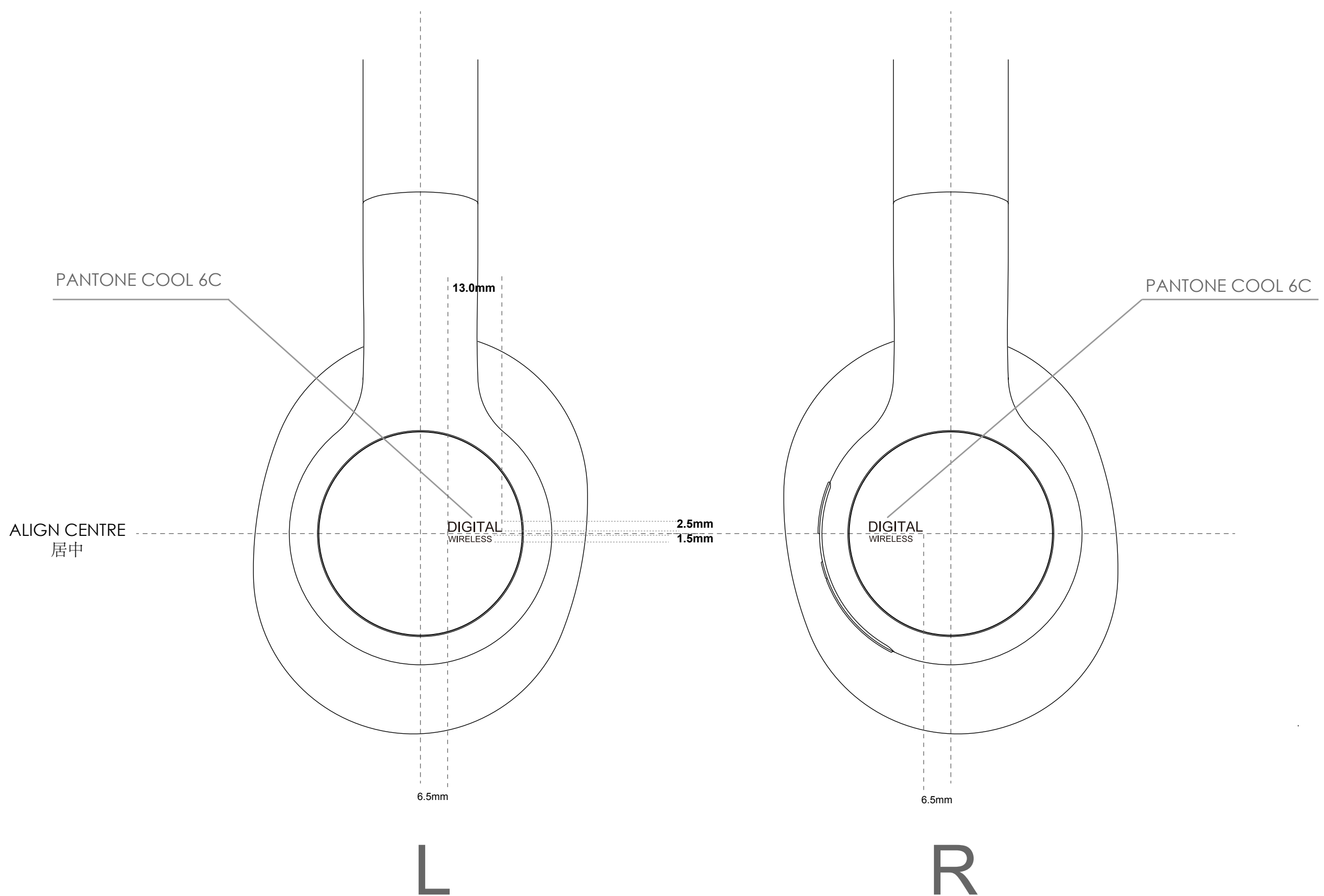
**CONCORD ELECTRONIC LTD.**

TITLE  
NS-HAWHP2 Rev B 丝印图(1/3)

MATERIAL: QTY/SET: 1

DRAW N BY	APPR. BY	
KLWen 2021-12-11	Steven	
Part No:		A4
Drawing No:		
UNIT:mm		

Rev.	Description	Appr.
1.0	first issue	XQFan



結構確認	電子確認	安規確認

**CONCORD ELECTRONIC LTD.**

TITLE  
NS-HAWHP2 Rev B 丝印图(2/3)

MATERIAL: QTY/SET: 1

DRAWN BY	APPR. BY	
XQFan 2018-08-30	Steven	
Part No:		A4
Drawing No:		
UNIT:mm		

