

INSIGNIA

Final flat size: 23 x 9.44 in. (584.19 x 239.89 mm)
Final fold size: 5.75 x 9.44 in. (146.05 x 239.89 mm)

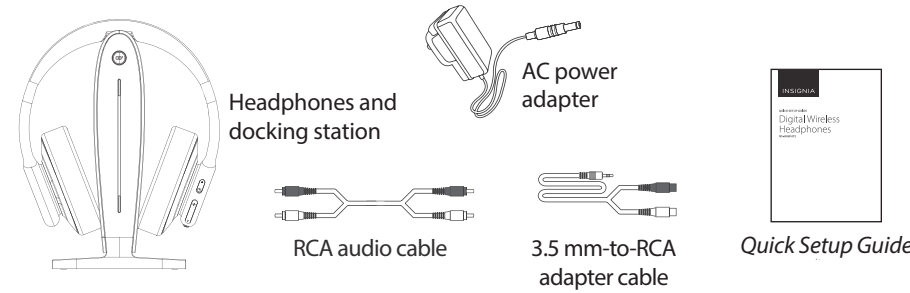
v1
R4

QUICK SETUP GUIDE

Digital Wireless Headphones

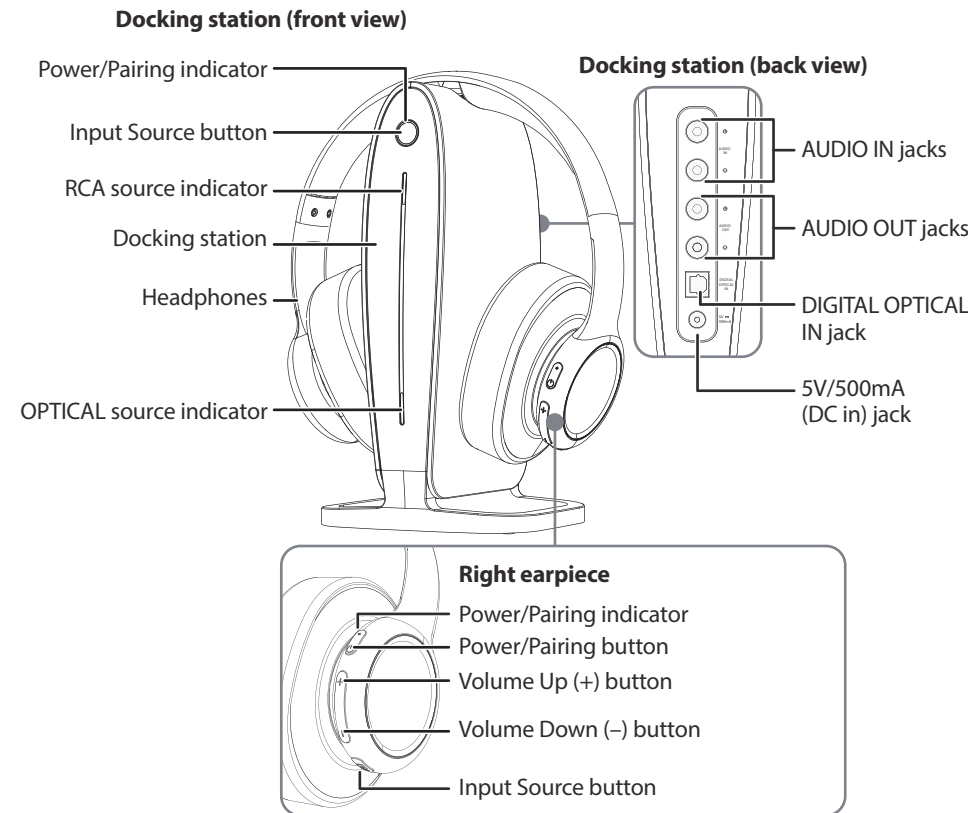
NS-HAWHP2

PACKAGE CONTENTS



FEATURES

- Listen to your TV or music wirelessly without disturbing others
- Works with all of your audio components (TV, CD/DVD Player, MP3 Player, Mobile device)
- Strong 5.8 GHz digital wireless signal up to 33 feet (10 m)
- Built-in lithium ion rechargeable battery with convenient docking station
- Lightweight, comfortable over-the-ear design, fully adjustable headband
- Available digital optical input for best sound quality



FIND YOUR USER GUIDE ONLINE!

- 1 Go to www.insigniaproducts.com.
- 2 Use the search bar to find **NS-HAWHP2**.
- 3 Select **Support & Downloads**.
- 4 Next to *User Guide*, select the language you want.

Before using your new product, please read these instructions to prevent any damage.

CONNECTING THE HEADPHONES

Locate the **AUDIO OUT** port on your audio source device, such as a TV, stereo system, home theater, smartphone, computer, or tablet. Choose the connection option below that fits your audio source device.

JACK TYPE (on source device)	CABLE	WHEN TO USE
	OPTICAL cable (not included)	Use an optical cable from the optical output of your source device to the DIGITAL OPTICAL IN jack of the docking station.
	RCA audio cable (included)	Use the included RCA cables to connect from the RCA audio OUTPUT ports of your source device to the AUDIO IN jacks of the docking station.
	AC Power Adapter (included)	Use the AC power adapter to charge the docking station and headphones.

Caution: Turn off or unplug all devices while you are making connections.

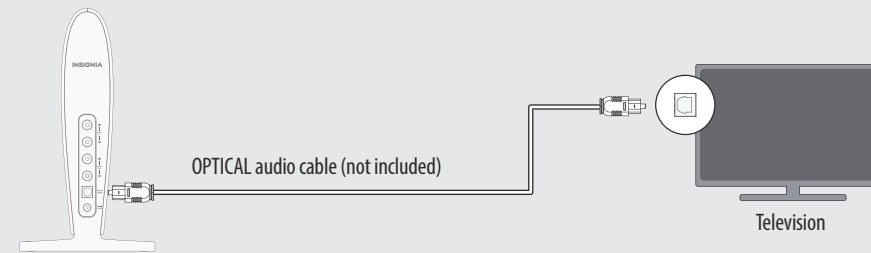
TIPS:

TV speakers may continue to produce sound or may be muted, depending on the settings on your TV. Refer to your TV's user guide for more information. To get sound from all devices connected to your TV, you will need to connect to an audio out port on the TV. If you connect to another source device, you will only get sound from that device.

- PICK ONE -

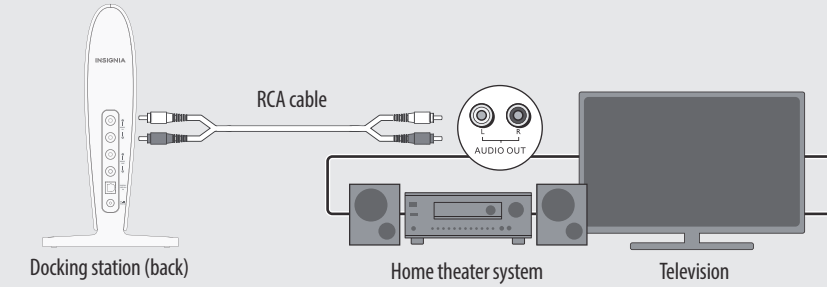
OPTICAL connection

- 1 Connect one end of an optical cable to the **DIGITAL OPTICAL IN** jack on the docking station.
 - 2 Connect the other end into the **OPTICAL OUT** jack of your TV or any other audio source device with optical audio output.
 - 3 Press the Input Source button on the headphones to change the input to Optical. The Optical source indicator lights white.
- TIP:** To get the optical audio output from the TV, some TVs need to have the settings changed. Refer to your TV's user guide for more information.



RCA connection

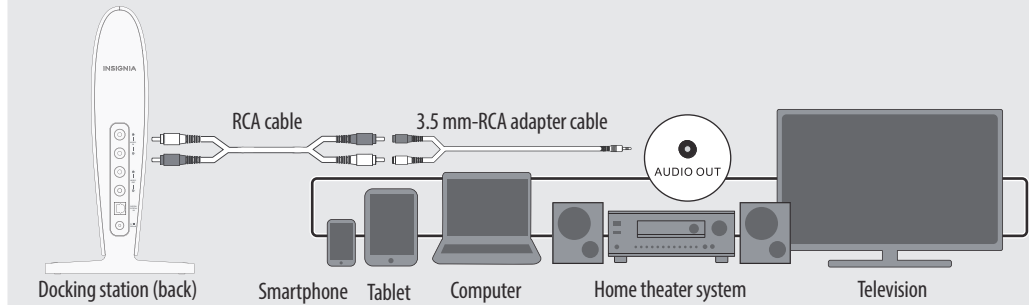
- 1 Connect one end of the RCA cable to the red and white **AUDIO IN** ports on the docking station.
- 2 Connect the other end into the red and white **AUDIO OUT** ports on your audio source device.
- 3 Press the Input Source button on the headphones to change the input to RCA. The RCA source indicator lights white.



- OR -

3.5 mm connection

- 1 Connect one end of the RCA cable to the red and white **AUDIO IN** ports on the docking station.
- 2 Connect the other end into the red and white connectors on the 3.5 mm-RCA adapter cable.
- 3 Connect the 3.5 mm audio cable into the 3.5 mm **headphone** or **AUDIO OUT** jack on your audio source device.

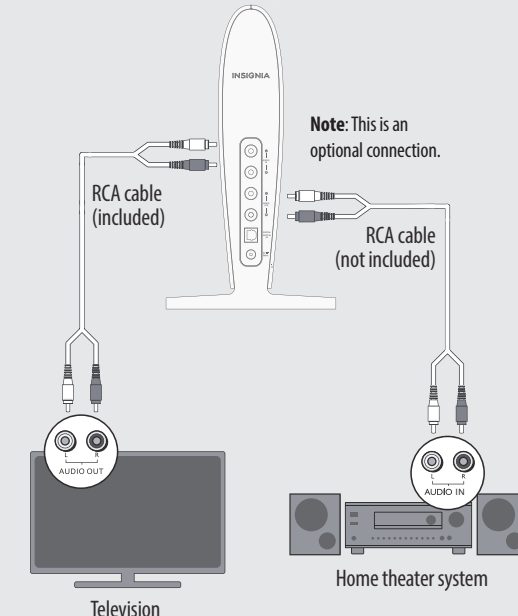


- OR -

Multiple connections (Optional)

If your audio source device (a TV in the example shown) only has one audio output, but you want to connect it to both the docking station and a stereo system or home theater, do this.

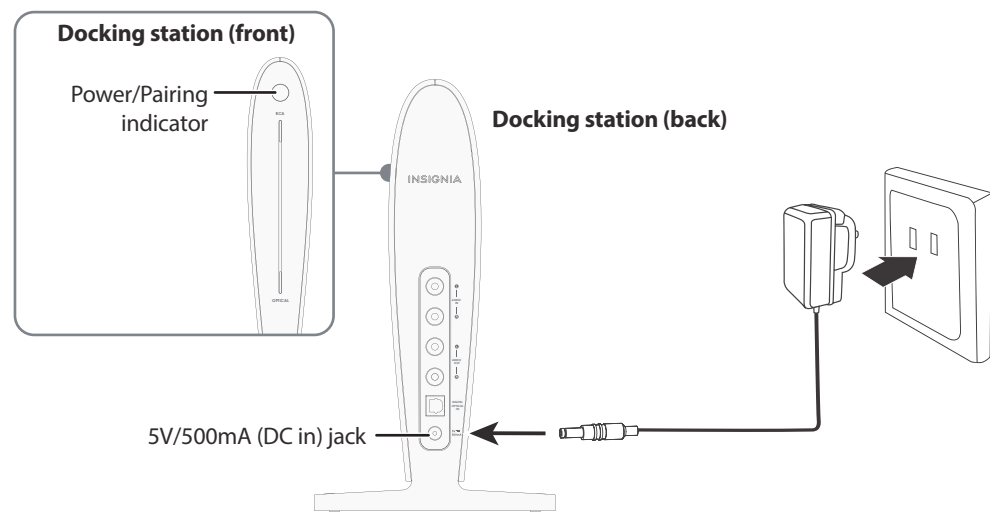
- 1 Connect one end of the RCA cable (included) to the red and white **AUDIO IN** ports on the docking station.
- 2 Connect the other end to the red and white **AUDIO OUT** ports on your audio source device. **Note:** Use the 3.5mm-to-RCA cable adapter to connect to a headphone jack, if necessary.
- 3 Connect one end of an RCA cable (not included) to the red and white **AUDIO OUT** ports on the docking station.
- 4 Connect the other end to the red and white **AUDIO IN** ports on your stereo system or home theater. The audio should now play through your home theater speakers.



Note: This is an optional connection.

Connecting the AC adapter to the docking station

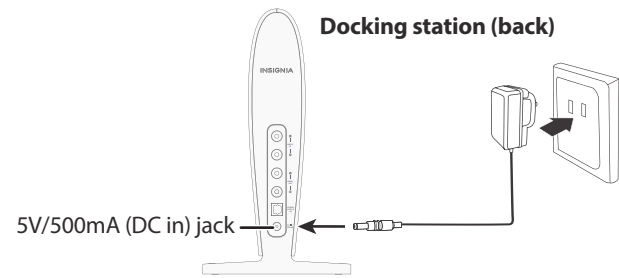
- 1 Connect one end of the AC power adapter to the docking station's **5V/500mA** (DC in) jack and the other end to a power outlet.
- 2 The Power/Pairing indicator on the docking station begins to blink (blue).



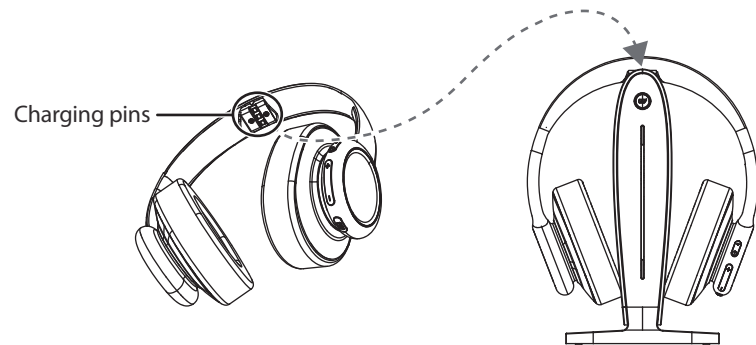
Charging the headphones

Important: Before using the wireless headphones for the first time, make sure that the batteries are charged for at least four hours. The docking station Power/Pairing indicator turns solid green when the batteries are fully charged.

- 1 Connect one end of the AC power adapter to the docking station's **5V/500mA** (DC in) jack and the other end to a power outlet.



- 2 Place the headphones onto the docking station. Make sure that the headphone charging contacts and the docking station charging pins make contact when you put the headphones in the charging station.




- 3 The indicators on the docking station and the headphones turn solid red to indicate the headphones are charging.
- 4 When the headphones are fully charged, the docking station Power/Pairing indicator turns solid green and the Power/Pairing indicator on the headphones turns off.
- 5 When the headphone battery charge is low, the Power/Pairing indicator on the docking station blinks red three times every minute.

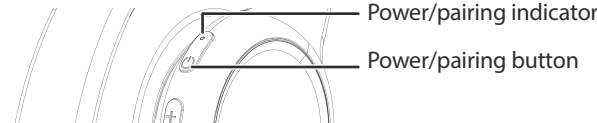
Notes:

- It can take up to two hours to charge the batteries. The batteries can last up to ten hours with continuous use (depending on the headphone volume level and distance from the docking station).
- The headphones cannot be charged when the docking station is unplugged.
- If the charge on the headphone batteries is low, the Power/Pairing indicator on the headphones blinks red. You should charge the headphones.
- The headphones will automatically power off if the battery is not charged after emitting a low-battery warning.

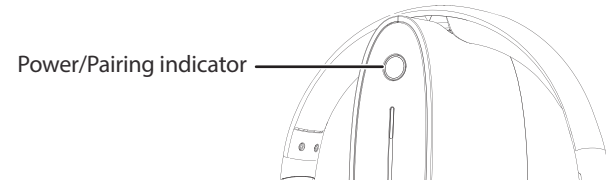
USING YOUR HEADPHONES

Turning on and pairing your headphones

- 1 Connect the AC power adapter to the 5V/500mA (DC in) jack. The Power/Pairing indicator on the docking station blinks (blue).
- 2 Press and hold (for more than two seconds) the  Power/Pairing button on the right earpiece to turn on the headphones. The Power/Pairing indicator on the headphone blinks (blue).



- 3 When the Power/Pairing indicator on the headphones and the Power/Pairing indicator on the docking station both **turn solid blue**, an active link is established between the headphones and the docking station. Your headphones are ready to use.



Listening to your headphones

- 1 Turn on the headphones. Make sure that your docking station and headphones are wirelessly paired.
- 2 Set the headphone volume level to the minimum.
- 3 Put your headphones on your head. Adjust the fit until you feel comfortable.
- 4 Turn on your audio source and begin playback. Depending on the audio source, you may need to turn up the volume on the audio source.
- 5 Adjust the headphone volume to your normal listening level.

Caution: Continuous use at high volume may permanently damage your hearing.

Notes:

- **The docking station and the headphone will do pairing reset before ex-factory, Once happen not paired issue, follow **TROUBLESHOOTING** on pairing action.**
- If the system is connected to a TV, you may want to turn off the TV speakers. Refer to your TV manual.
- If the docking station does not have audio input for more than 15 minutes, the headphones will power off automatically.
- If the headphones are unpaired from the docking station for more than 15 minutes, the headphones will power off automatically.
- **If the docking station is unpaired from the headphone for more than 5 minutes, the leds of the docking station will turn off.**

Turning off your headphones

Press and hold (more than two seconds) the  (power) button on your headphones.

Note: Turn the headphones off when not in use to conserve the battery.

Turning off your docking station

Disconnect the AC power adapter to turn off the docking station.

TROUBLESHOOTING

No power

- Make sure that the headphones' battery is charged.
- Make sure that your headphones are turned on.

No sound or low volume

- Shorten the distance between the docking station and your source device.
- Make sure that your source device is turned on.
- Turn up the volume on your headphones and source device. Make sure that your source device is not muted.

Cannot pair the headphones

- Turn on the docking station, then place the headphones onto the station. They will enter autopairing mode (this may take 2-20 seconds).

Tip: If the power indicators on the headphones and docking station continue to blink after 20 seconds, they are no longer paired to each other. If this happens, follow these steps:

- 1 Make sure that the headphones and docking station are within range of each other (ideally in the same room).
- 2 Turn off the headphones and the docking station.
- 3 Turn on both the headphones and the docking station. The lights will initially blink, then they **turn solid blue** when connected.

- Make sure that the docking station is in pairing mode.
- Shorten the distance between the docking station and your headphones.

SPECIFICATIONS

- **Headphone dimensions (H x W x D):** 7.5 x 3.0 x 6.7 in. (191.2 x 76.8 x 171.2 mm)
- **Docking station dimensions (H x W x D):** 8.5 x 3.8 x 4.7 in. (214.7 x 96.5 x 119.9 mm)
- **Input:** AC 100-240V~ 50/60 Hz 0.2 A
- **Output:** 5V, 500mA
- **Battery Life:** Up to 10 hours
- **Range:** 33 feet (10 m)
- **Charging time:** 2 hours
- **Audio resolution:** 48Khz @ 24bits
- **Audio Source Port:**
 - Analog: RCA *1
 - Digital: Optical *1 PCM (does not support DTS and Dolby Audio)

LEGAL NOTICES

FCC statement:

This device complies with Part 15 of the FCC Rules. Operation is subject to the following two conditions: (1) this device may not cause harmful interference, and (2) this device must accept any interference received, including interference that may cause undesired operation.

FCC Caution:

Changes or modifications not expressly approved by the party responsible for compliance could void the user's authority to operate the equipment.

FCC Statement:

Note: This equipment has been tested and found to comply with the limits for a Class B digital device, pursuant to Part 15 of the FCC Rules. These limits are designed to provide reasonable protection against harmful interference in a residential installation. This equipment generates, uses, and can radiate radio frequency energy and, if not installed and used in accordance with the instructions, may cause harmful interference to radio communications.

However, there is no guarantee that interference will not occur in a particular installation. If this equipment does cause harmful interference to radio or television reception, which can be determined by turning the equipment off and on, the user is encouraged to try and correct the interference by one or more of the following measures:

- Reorient or relocate the receiving antenna.
- Increase the separation between the equipment and receiver.
- Consult the dealer or an experienced radio/TV technician for help.
- Connect the equipment into an outlet on a circuit different from that to which the receiver is connected.

RSS-Gen & RSS-210 Statement:

This device complies with Industry Canada licence-exempt RSS standard(s).

Operation is subject to the following two conditions: (1) this device may not cause interference, and (2) this device must accept any interference, including interference that may cause undesired operation of the device.

Le présent appareil est conforme aux CNR d'Industrie Canada applicables aux appareils radio exempts de licence. L'exploitation est autorisée aux deux conditions suivantes : (1) l'appareil ne doit pas produire de brouillage, et (2) l'utilisateur de l'appareil doit accepter tout brouillage radioélectrique subi, même si le brouillage est susceptible d'en compromettre le fonctionnement.

RSS-102 Statement

This equipment complies with Industry Canada radiation exposure limits set forth for an uncontrolled environment. Cet équipement est conforme à l'exposition aux rayonnements Industry Canada limites établies pour un environnement non contrôlé

ONE-YEAR LIMITED WARRANTY

Visit www.insigniaproducts.com for details.

CONTACT INSIGNIA:

For customer service, call 1-877-467-4289 (U.S. and Canada) or 01-800-926-3000 (Mexico) www.insigniaproducts.com

INSIGNIA is a trademark of Best Buy and its affiliated companies.
Distributed by Best Buy Purchasing, LLC
7601 Penn Ave South, Richfield, MN 55423 U.S.A.
©2018 Best Buy. All rights reserved.
Made in China