

Rev.	Description	Appr.
1.0	首次發放	WYYIN



01-23-2024 REV.10

Serial Number Format:

Digit	1	2	3	4	5	6	7	8	9	10	11	12	13	14
Description	Contract Manufacturer		Product Type		Revision	Year (HEX)		Week (HEX)		Serial Running Number				
	CM = CMT		See Matrix below		Design REV	In HEX: See Matrix below		In HEX: See Matrix below		Sequential, in Decimal				
Example	C	M	0	1	A	1	8	1	2	0	0	0	0	1

Product Type Matrix:

Product Type	Description	Reference Part Number
01	Over Ear Headphone	V1HB0101xxx
02	Earbuds	V1AB0201xxx
03	Sport	V1RB0301xxx
04	Bone Conduction	TBD

Year Matrix:

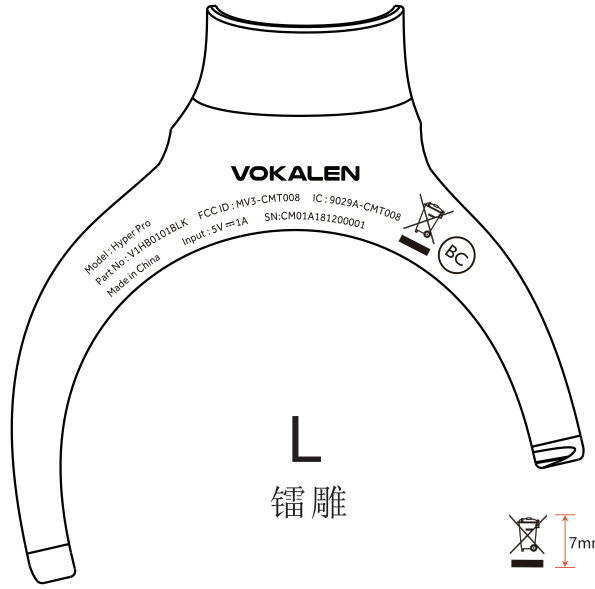
HEX			
18	=	24	= 2024
19	=	25	= 2025
1A	=	26	= 2026

etc...

Week Matrix:

Week	HEX #	Week	HEX #	Week	HEX #	Week	HEX #
1	01	14	0E	27	1B	40	28
2	02	15	0F	28	1C	41	29
3	03	16	10	29	1D	42	2A
4	04	17	11	30	1E	43	2B
5	05	18	12	31	1F	44	2C
6	06	19	13	32	20	45	2D
7	07	20	14	33	21	46	2E
8	08	21	15	34	22	47	2F
9	09	22	16	35	23	48	30
10	0A	23	17	36	24	49	31
11	0B	24	18	37	25	50	32
12	0C	25	19	38	26	51	33
13	0D	26	1A	39	27	52	34

VOKALEN ALL RIGHTS RESERVED.



結構確認      電子確認      安規確認

TITLE  
CONCORD ELECTRONIC LTD.  
CMT-OVEAN-008 丝印图 ( 1/2 )

DRAWN BY      CHECK BY

ChenLin  
2024-01-30      歐陽勇

PART NO.:  
Drawing No.:      A4

MATERIAL:      QTY/SET:      SCALE: 1:1      UNIT: MM      SHEET: 1/1

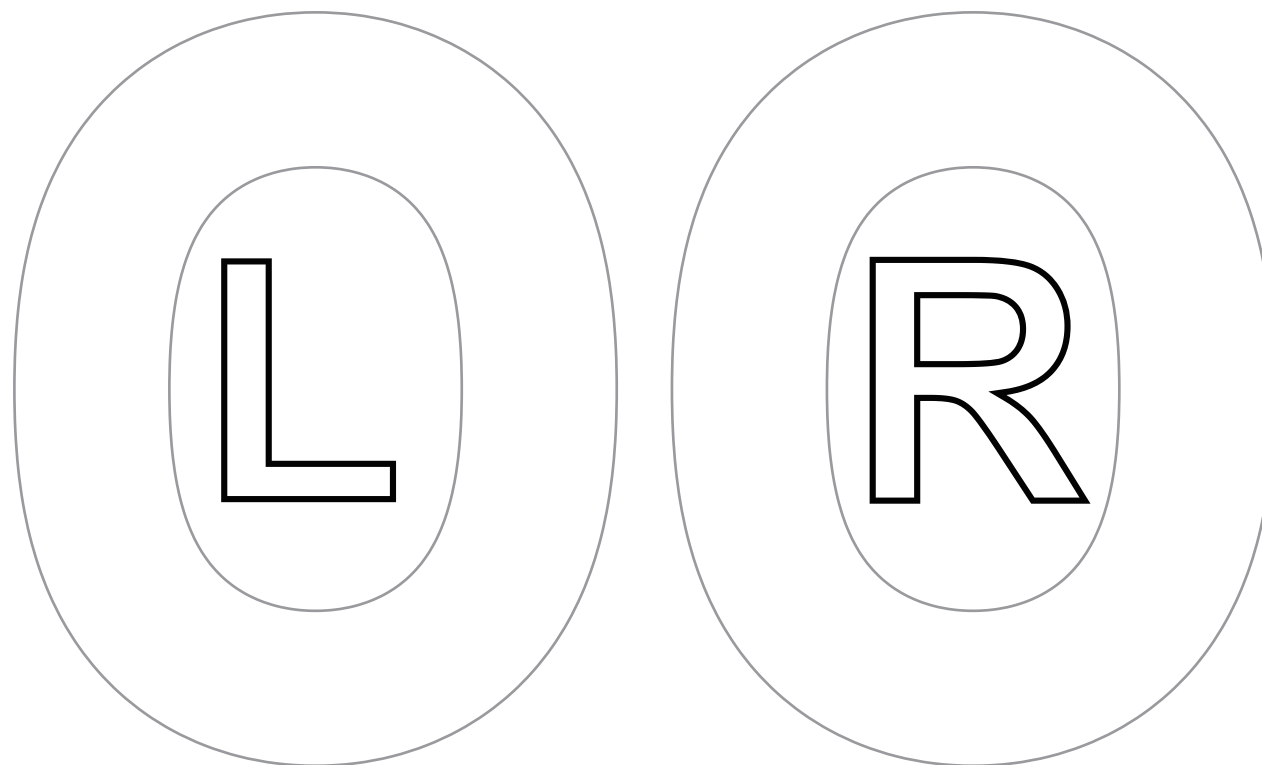
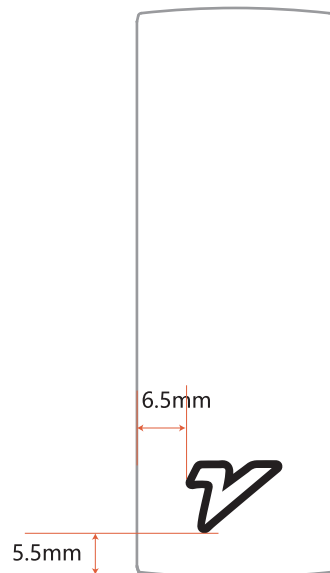
Rev.	Description	Appr.
1.0	首次發放	WYYIN

L/R丝印颜色: Pantone :Cool Gray 10 C

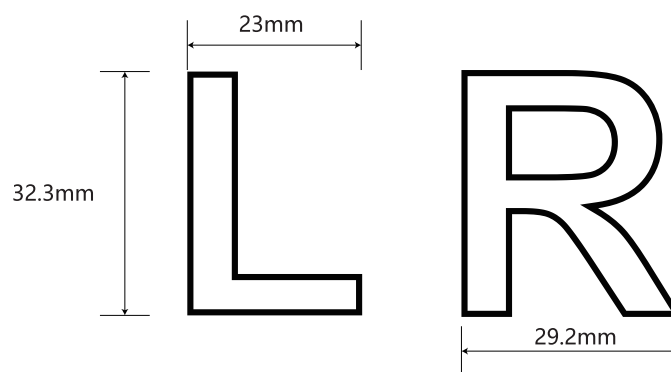
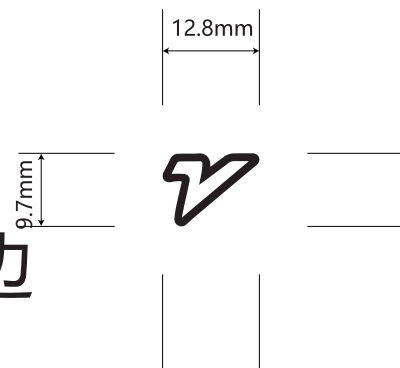
LOGO丝印颜色: Black UV光油



L边



R边



此丝印做几台看效果再决定?

DRAWN BY	CHECK BY
ChenLin 2024-01-30	歐陽勇
PART NO.:	A4
Drawing No.:	

結構確認	電子確認	安規確認

CONCORD ELECTRONIC LTD.			
TITLE CMT-OVEAN-008 丝印图 ( 2/2 )			
MATERIAL:	QTY/SET:	SCALE: 1:1	UNIT: MM
SHEET: 1/1			⊕