



Antenna specification

Versions: V01

Date: 2024/2/18

Producer: Harlen

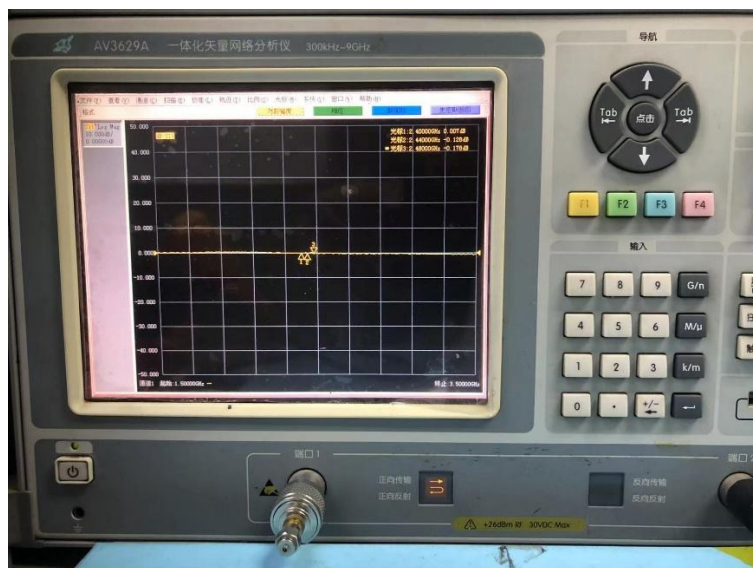
Verifier: Luke

Catalogue

- 1、 No power test report 3
- 2、 Free space test data 5
- 3、 Matching device 5
- 4、 Antenna drawing and archives 6
- 5、 PCB antenna manufacturer and address..... 6

Change record			
Date	Reason	Content	Version
2024/2/18	Initial release	Initial release	V01

1、No power test report



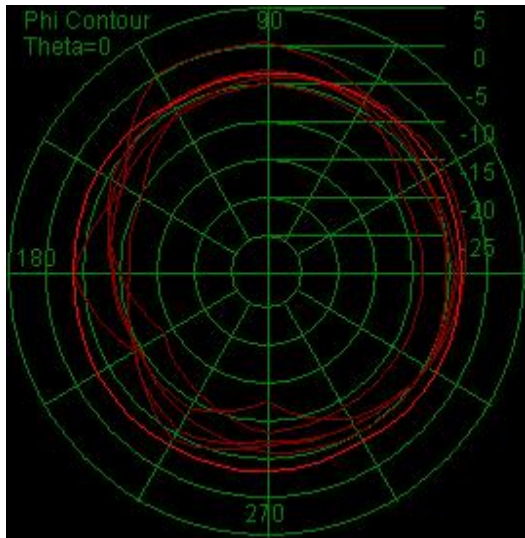
Test equipment:VA3629A

Antenna efficiency and gain

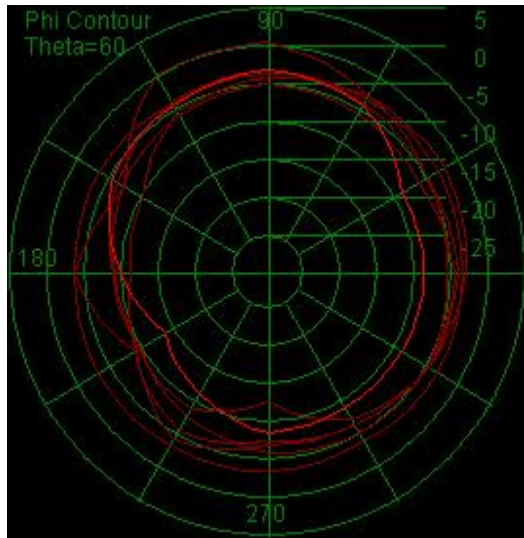
Frequency (MHz)	Efficiency (%)	Efficiency (dB)	Gain(dBi)
2400	39.1	-4.08	-2.25
2410	39.4	-4.05	-2.15
2420	41.2	-3.85	-2.47
2430	43.8	-3.58	-2.16
2440	45.1	-3.46	-1.95
2450	45.5	-3.42	-1.36
2460	44.9	-3.48	-0.38
2470	42.8	-3.68	-0.44
2480	44.1	-3.55	-0.81
mean value	39.4	-3.46	-2.16

No power directivity contour

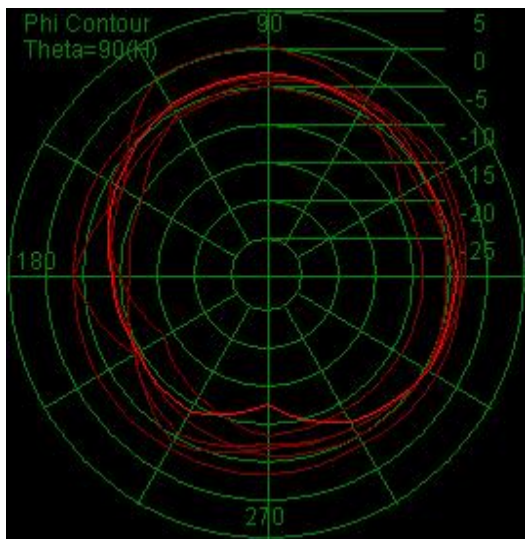
Theta=0deg



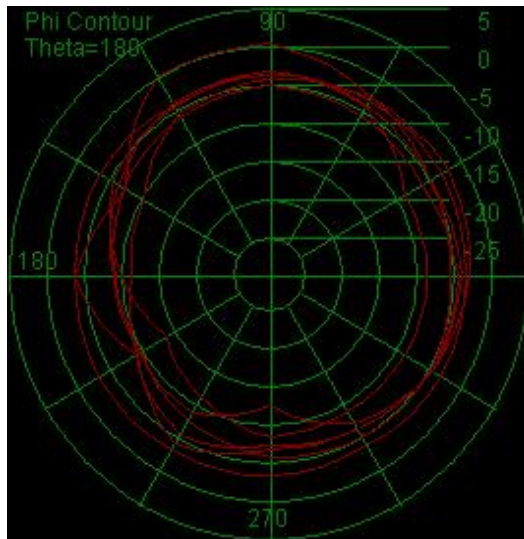
Theta=60deg



Theta=90deg

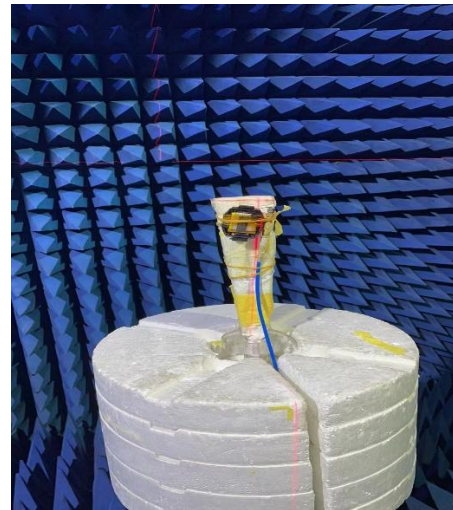
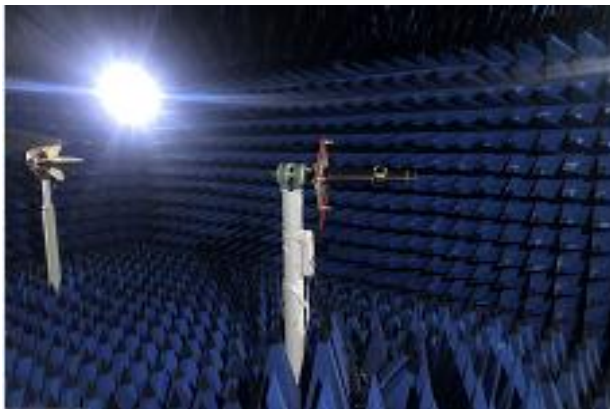


Theta=180deg



2、Free space test data

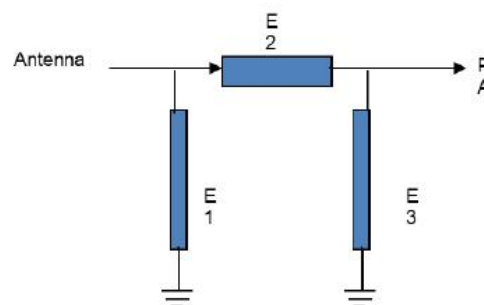
Channel No.	Free space test data	
	TRP (dBm)	TIS (dBm)
0	5.96	-87.14
39	5.10	-87.21
78	4.73	-87.05



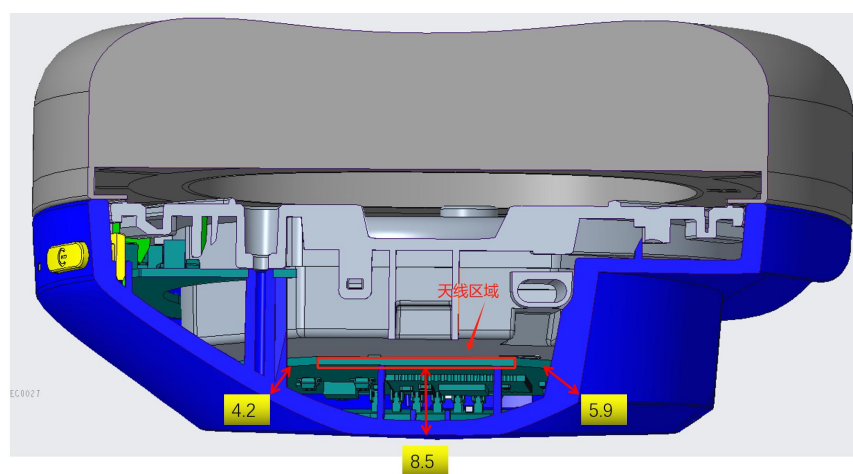
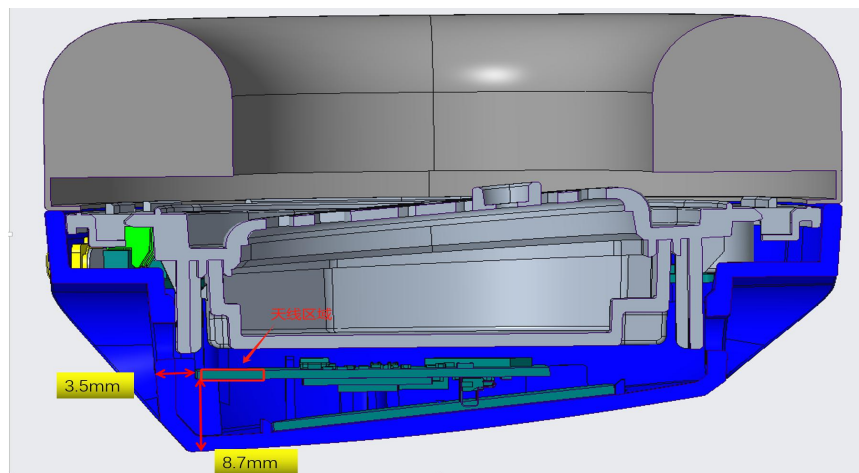
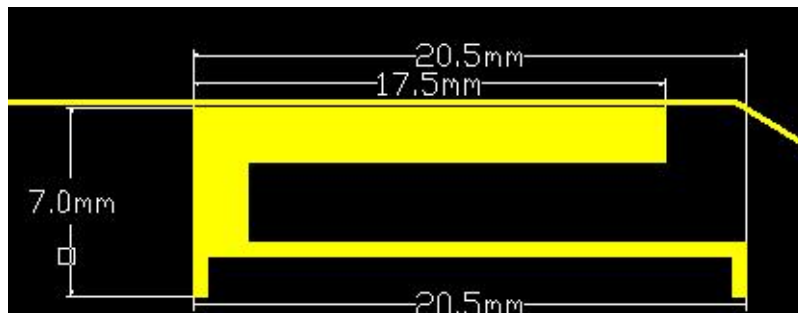
OTA Standard Chamber

3、Matching device

Element	Value
E1(0201)	N/A
E2(0201)	0Ω
E3(0201)	N/A



4、 Antenna drawing and archives



5、 PCB antenna manufacturer and address

King Sun PCB Technology Co., LTD

NO.509,Zone B3,Huayuan Science Park ,Baoyuan Rd,Xixiang

Street,Baoan,Shenzhen,China