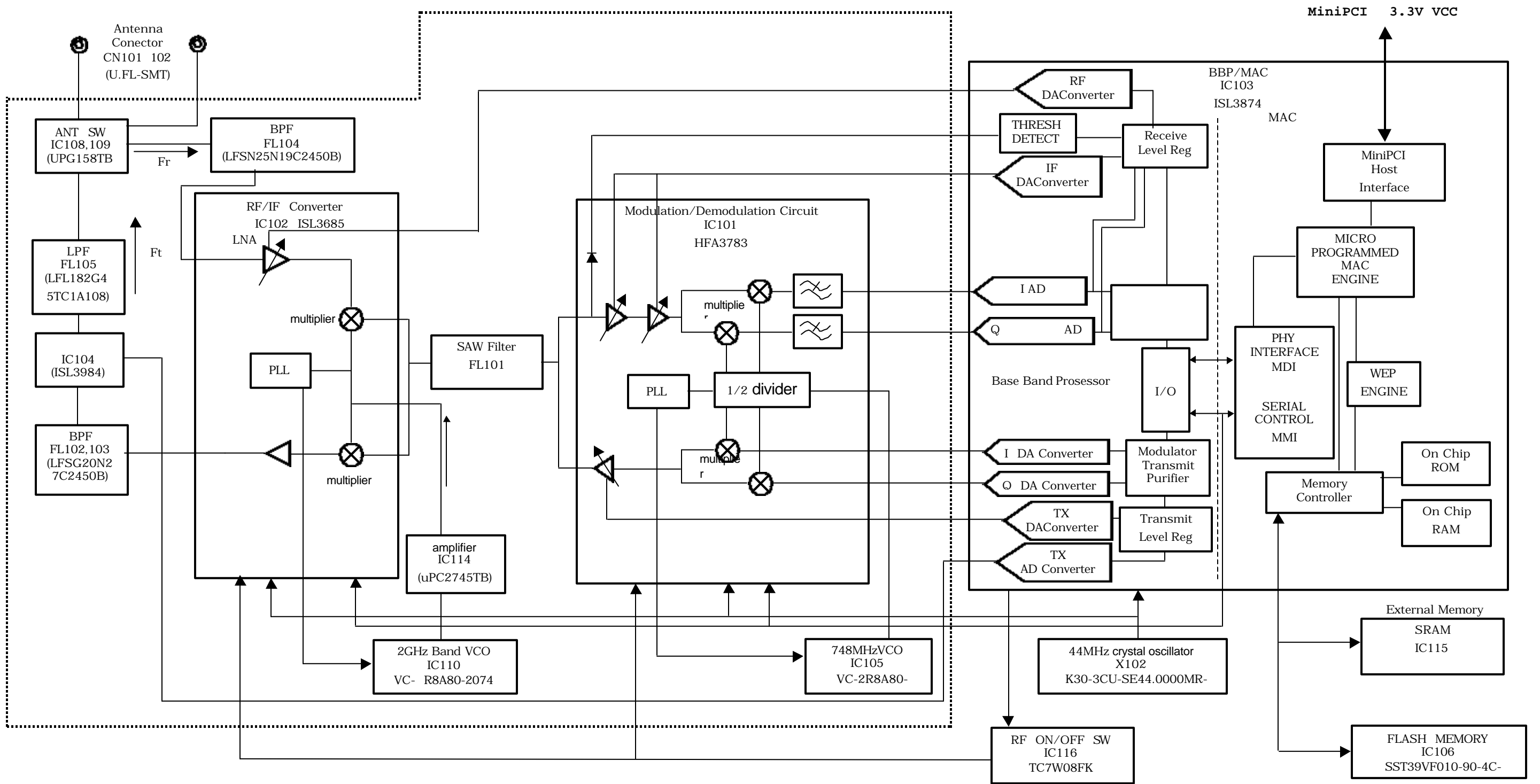
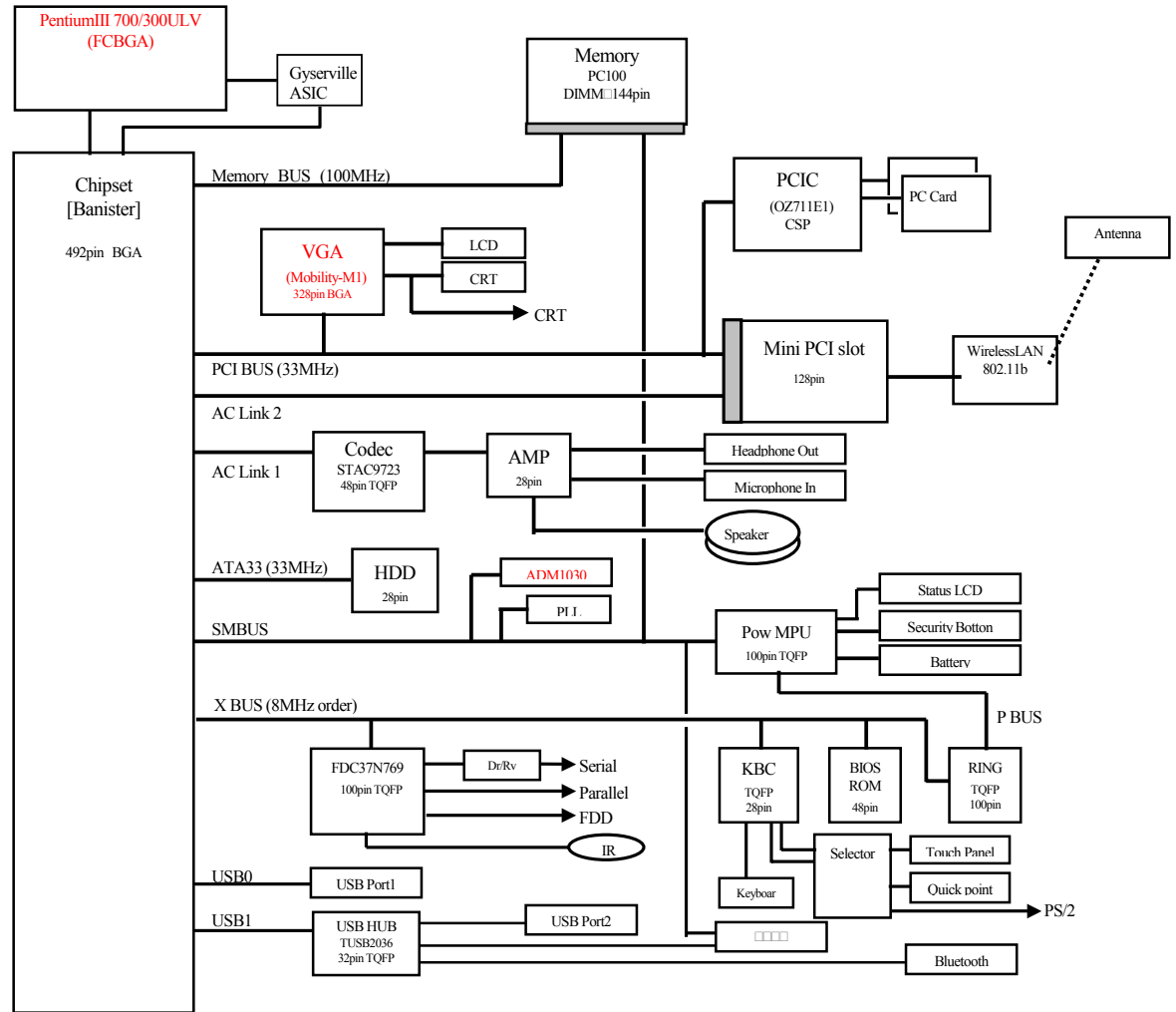


Wireless LAN Module Block Diagram

..... Shield Case



Quilt3 Block Diagram



						□□	QUILT3-WirelessLAN
						□□	A3CPXXXXXX-XX
□	□	□	□	□	□	□□□□□□□□	1/
□□	2001.05.31	□	□	□□	□	□□□□□□□□	シ