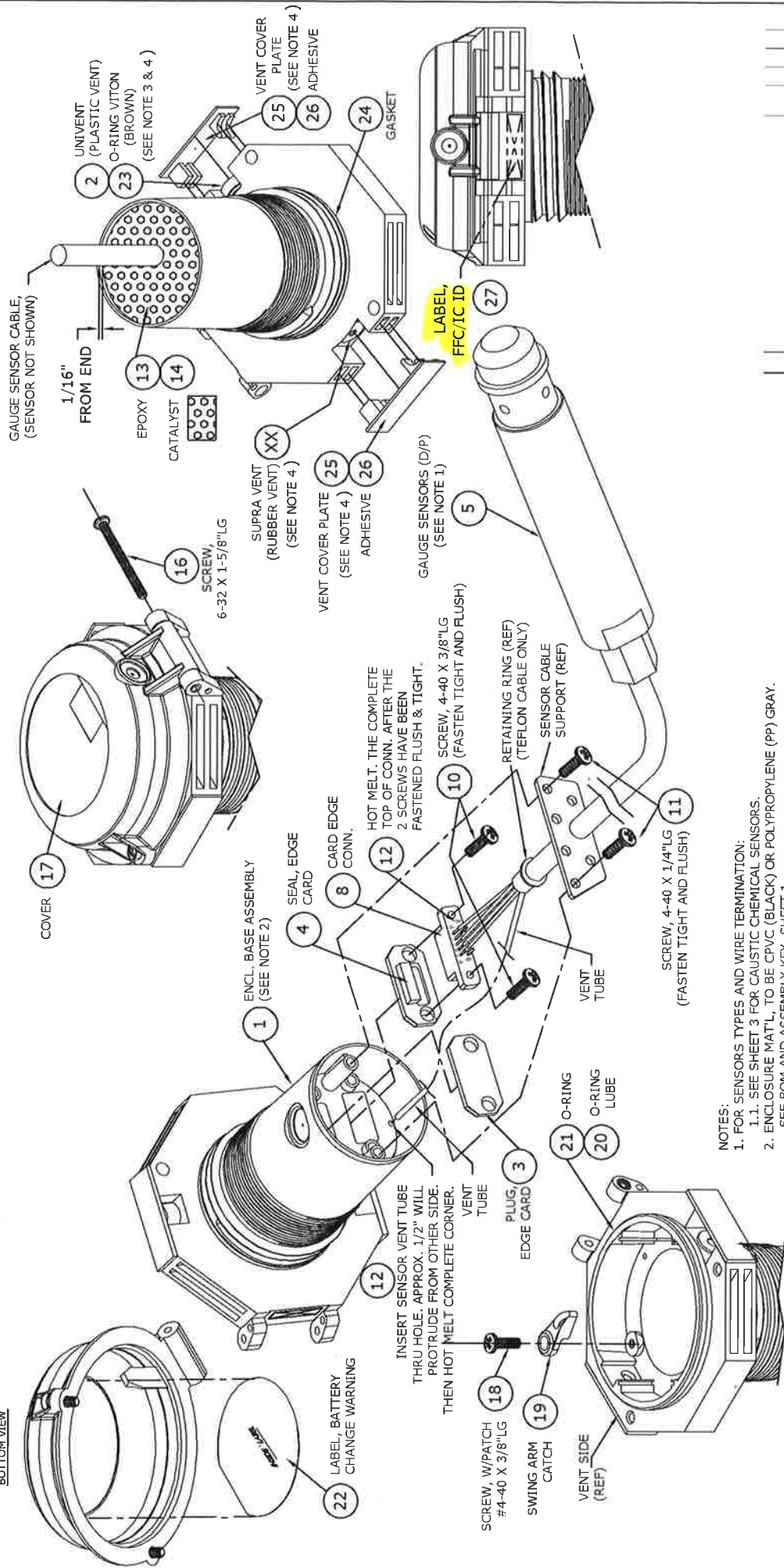


COVER
BOTTOM VIEW



NOTES:

1. FOR SENSORS TYPES AND WIRE TERMINATION:
 - 1.1. SEE SHEET 3 FOR CAUSTIC CHEMICAL SENSORS.
2. ENCLOSURE MAT'L, TO BE CPVC (BLACK) OR POLYPROPYLENE (PP) GRAY. SEE BOM AND ASSEMBLY KEY, SHEET 1.
3. ON UNIVENT ITEM 2, REMOVE THE BLACK O-RING AND DISCARD, REPLACE WITH BROWN VITON O-RING ITEM 23, INSERT INTO HOLE AS INDICATED.
4. **CAUTION:** INSTALL BOTH VENTS ITEM 2 & ITEM XX BEFORE INSTALLING THE COVER PLATES ITEM 25.

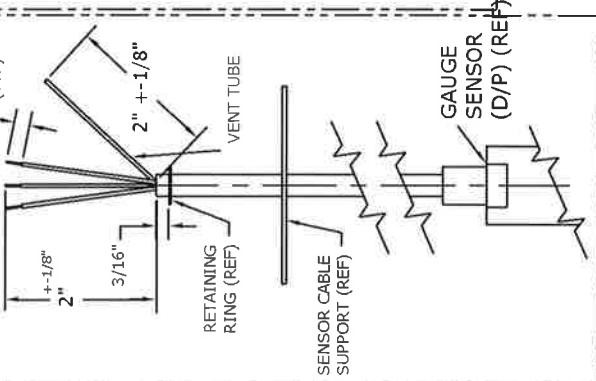
REV. NO.		REV. DATE		REV. DESCRIPTION	
1					
2					
3					
4					
5					
6					
7					
8					
9					
10					
11					
12					
13					
14					
15					
16					
17					
18					
19					
20					
21					
22					
23					
24					
25					
26					
27					

TANKLINK
ENCLOSURE BASE SL CONTROLLER / S
1/8" HOLES FOR SENSORS

DATE: 1-13-13
APP: SEE B.O.M.
REV. NO. 031-54HTTYT-ZZ-SL
PART - 000 REV. - PART 1 OF 1

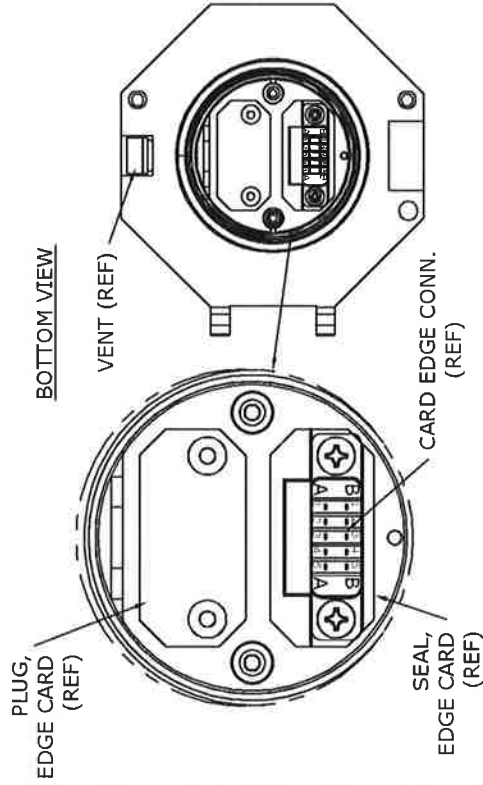
DETAIL-1
(SCALE 1:1)

SENSOR WIRE & SENSOR PREP.
1/4" (TYP)



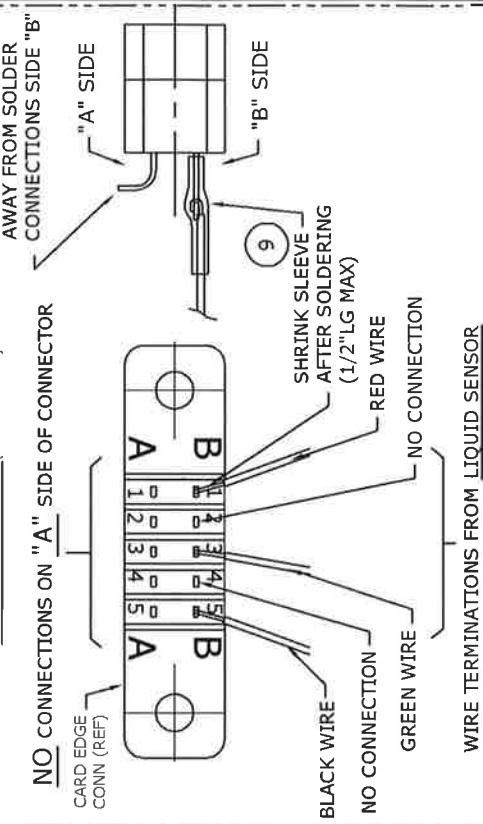
DETAIL-2
(SCALE 2:1)

CONNECTOR ORIENTATION IN ENCLOSURE
SEE DETAIL-3 & TABLE 1 FOR SENSOR TERMINATION



DETAIL-3
(SCALE 2:1)

EDGE CARD CONNECTOR
TERMINATION CONFIGURATION
BOTTOM & SIDE VIEW (SEE TABLE 1)



GAUGE SENSOR TERMINATION
(SEE TABLE 1 & DETAIL -2 & -3)

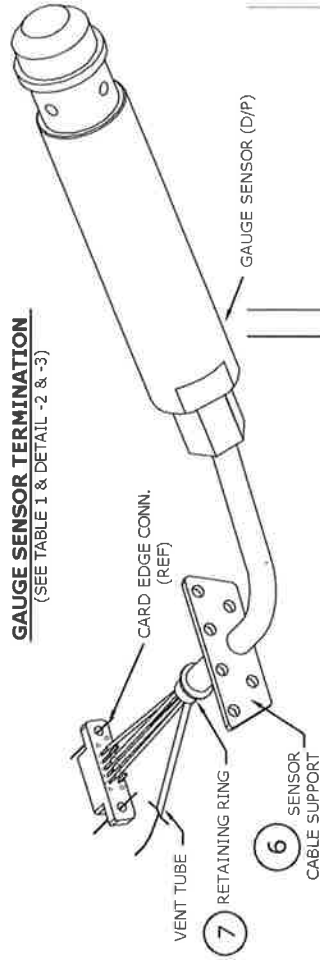


TABLE 1
SENSOR TERMINATION

SENSOR	TERMINATION PTS		COMMENTS
	WIRE COLOR FROM SENSOR	TO EDGE CARD CONN. TERMINALS	
GAUGE SENSOR	RED WIRE	PIN B1	CUT OFF REMAINING WIRES COLORS, AT JACKET, TIN AND HOOK WIRE ENDS
	BLACK WIRE	PIN B5	
	GREEN WIRE	PIN B3	
NO CONNECTIONS ON THE FOLLOWING EDGE CARD CONNECTOR PINS	---	PIN A1 THRU A5	NO CONNECTIONS
	---	PIN B2	
	---	PIN B4	

REVISIONS

NO.	DATE	BY	CHKD	APP.	DESCRIPTION
1					SEE SHEET 1 FOR CHANGES
2					REV RELEASE

PREPARED BY: M. HERRLICH
DATE: 1-15-13
DRAWN BY: M. HERRLICH
DATE: 1-15-13
CHECKED BY: M. HERRLICH
DATE: 1-15-13

PROJECT: TANKLINK
1/2" DIA. GAUGE SENSOR ASSEMBLY

SCALE: 1:1

DWG NO.: 031-A4HTTYZZ-3L

PLAT - CAD NO. - 1507 2 OF 3