

REV	ZONE	ECO #	DESCRIPTION OF CHANGE	BY	DATE
-			RELEASED TO RECORDS	XXX	08/xx/03

Dwg. No. 01031900

TORQUE 3-4 in/lbs 2X (7)
REF (1)
2X (6)
2X (2)
2X (7)

TORQUE 3-4 in/lbs 2X (7)
SEE DETAIL 'A'

TWIST WIRES
2 TURNS/IN.
BEFORE
PLUGGING IN
CABLES

4X
P/O ITEM 3
(M2.6 X 6MM)
TORQUE 2-3 IN/LBS

ROUTE
MIC
CABLE
AS
SHOWN

- NOTES:**
1. INTERPRET DRAWING PER DOD-STD-100.
 2. WORKMANSHIP OF PARTS TO COMPLY TO ANSI/IPC-A-610 CLASS 2, LATEST REVISION.
 3. PART(S) COSMETICS TO BE IN ACCORDANCE WITH TELULAR DOCUMENT 91000400, LATEST REVISION, "SURFACE APPEARANCE AND FINISH."
 4. PART MUST BE PACKAGED TO PREVENT DAMAGE TO PARTS SHAPE AND FINISH DURING SHIPPING.
 5. PROTECT PARTS FROM SCRATCHES AND FINGER PRINTS.
 6. PROGRAM FLASH FOR -01 WITH 87017100.
 7. APPLY LOCTITE (ITEM 12) ONTO MALE THREADS OF GND STANDOFF (ITEM 11) AND ASSEMBLE TO STANDOFF (ITEM 6) AFTER CCA IS ASSEMBLED INTO PLASTIC BASE.

BRANDING LABEL TO BE
PUT ON NEXT HIGHER
ASSEMBLY

4X P/O ITEM 3
(M3 X 8MM)
TORQUE 2-3 IN/LBS

TORQUE 4-5 IN/LBS

SIM DOOR
P/O ITEM 3

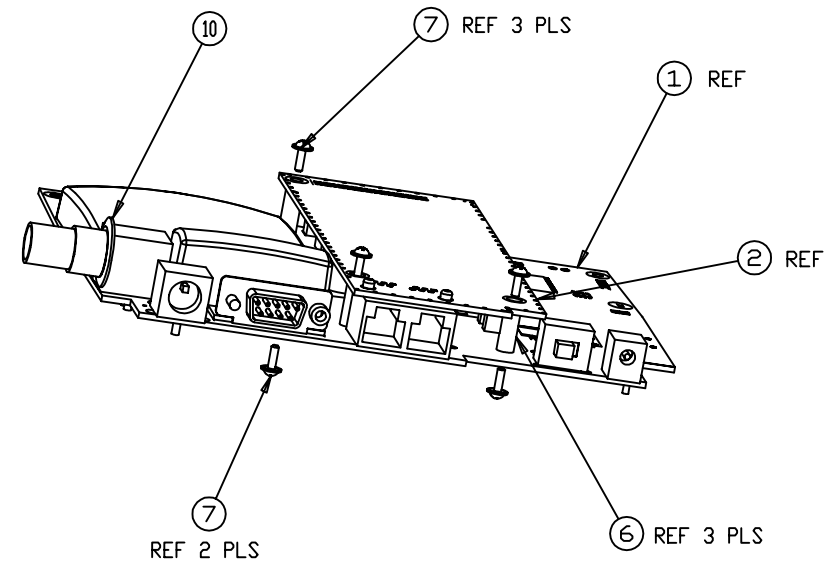
(12) SEE NOTE 7

(11) HAND TIGHT
TORQUE 2-3 IN/LBS

P/O ITEM 3
(M2 X 5 MM)
TORQUE 1-2 IN/LBS

BATTERY DOOR
P/O ITEM 3

(4) LABEL WITH FCC ID



SEE DETAIL 'A'

P/N 01031901 (SEE SEPARATE PARTS LIST) - S/W 87017100/88017200 (SHOWN)

C.A.D. GENERATED DRAWING THIS DOCUMENT HAS BEEN ISSUED FOR ENGINEERING INFORMATIONAL PURPOSES ONLY. ANY REVISIONS TO THE CONTENT OF THIS DOCUMENT MUST BE INCORPORATED INTO THE ORIGINATING GRAPHICS FILE.		647 NORTH LAKEVIEW PARKWAY VERNON HILLS, ILLINOIS 60061	
		UNLESS OTHERWISE SPECIFIED DIMENSIONS ARE IN INCHES. DIMENSIONS IN [] ARE MILLIMETERS. TOLERANCES ON: .X ± .031 [.794] .XX ± .010 [.254] .XXX ± .005 [.127] FRACTION ± 1/64 [.397]	MATERIAL: N/A FINISH: N/A
THIRD ANGLE PROJECTION 	DR'N BY: D. TOBIAS MECH DES: D. TOBIAS DES ENG: S. FIERRO MFG ENG: KRASOWSKI APPD BY: P. WOJCIK	DATE: 08/01/03	SHT. 1 OF 1 DWG. NO. 01031900
THIS DRAWING CONTAINS PROPRIETARY INFORMATION AND SHALL NOT BE USED, REPRODUCED OR DISTRIBUTED WITHOUT THE PRIOR WRITTEN CONSENT OF TELULAR CORP. VERNON HILLS, IL	TITLE: PHONECELL SX5D ASSEMBLY, GSM 850/1900, V/F/D	SCALE: NONE	DWG. SIZE: D

DO NOT SCALE DRAWING