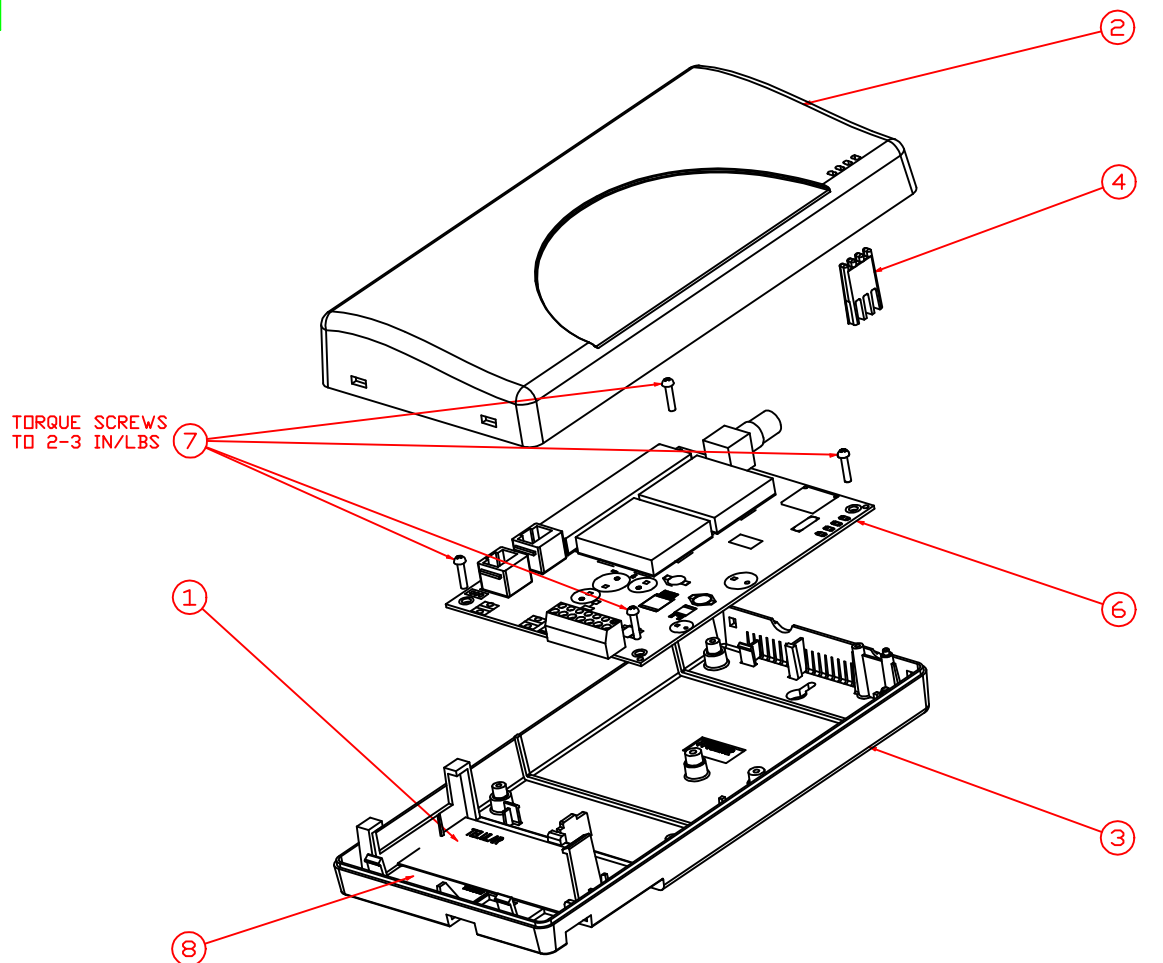


DWS. NO. 01023400

REV	ZONE	ECO #	DESCRIPTION OF CHANGE	BY	DATE
XA			RELEASE FOR PROTOTYPE	RLK	6/05/00
XB			CHANGED 3 SCREWS TO 4	RLK	6/19/00
XC			ADD FCC ID TO LABEL ITEM 8	xxx	11/02/00



1. INTERPRET DRAWING PER DOD-STD-100.
2. WORKMANSHIP SHALL BE IN ACCORDANCE WITH BEST COMMERCIAL PRACTICES.
3. PART(S) COSMETICS TO BE IN ACCORDANCE WITH TELULAR DOCUMENT LATEST REVISION, "SURFACE APPEARANCE AND FINISH."
4. PART MUST BE PACKAGED TO PREVENT DAMAGE TO PARTS SHAPE AND FINISH DURING SHIPPING.
5. THERE ARE 3 CIN'S ASSIGNED TO EACH RADIO DURING FUNCTIONAL TEST.

P/N 01023401 (SEE SEPARATE PARTS LIST)

LABEL WITH FCC ID

DO NOT SCALE DRAWING

<b>C.A.D. GENERATED DRAWING</b> THIS DOCUMENT HAS BEEN ISSUED FOR PRODUCTION INFORMATION PURPOSES ONLY. ANY REVISIONS TO THE CONTENT OF THIS DOCUMENT MUST BE INCORPORATED INTO THE CORRESPONDING GRAPHIC FILE.				647 NORTH LAKEVIEW PARKWAY VERNON HILLS, ILLINOIS 60061	
<b>THIRD ANGLE PROJECTION</b> 	UNLESS OTHERWISE SPECIFIED DIMENSIONS ARE IN INCHES. DIMENSIONS IN [ ] ARE MILLIMETERS. TOLERANCES ARE: .1 & .001 [20] ANGULAR & V/F .001 & .002 [20] FINISH .00004 & .001 [20]	MATERIAL: N/A FINISH: N/A	DRN BY: G. SYBERLACKI MECH DES: D. TOBIAS DES ENR: ROSENSTOCK MFG ENR: KRASOWSKI APPD BY: P. WOLCZEK	DATE: 5/9/00 6/05/00 6/05/00 6/05/00	SHE. 1 OF 1 SCALE: FULL DWS. NO. 01023400
THIS DRAWING CONTAINS PROPRIETARY INFORMATION AND SHALL NOT BE COPIED, REPRODUCED OR DISTRIBUTED WITHOUT THE WRITTEN CONSENT OF TELULAR CORP., VERNON HILLS, IL.			TITLE: TELUGUARD 3, TG100 FINAL ASSEMBLY		D