


REV	DESCRIPTION	BY	DATE APPROVED
-	RELEASED TO RECORDS	RLK	06/24/03



NOTE:

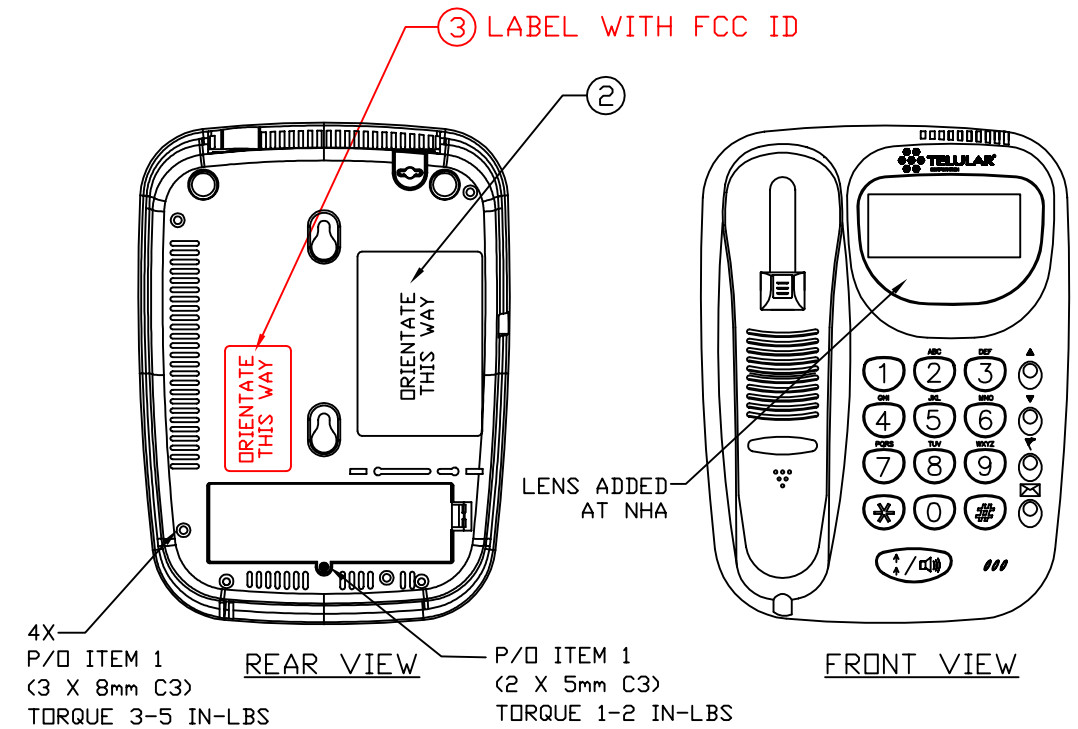
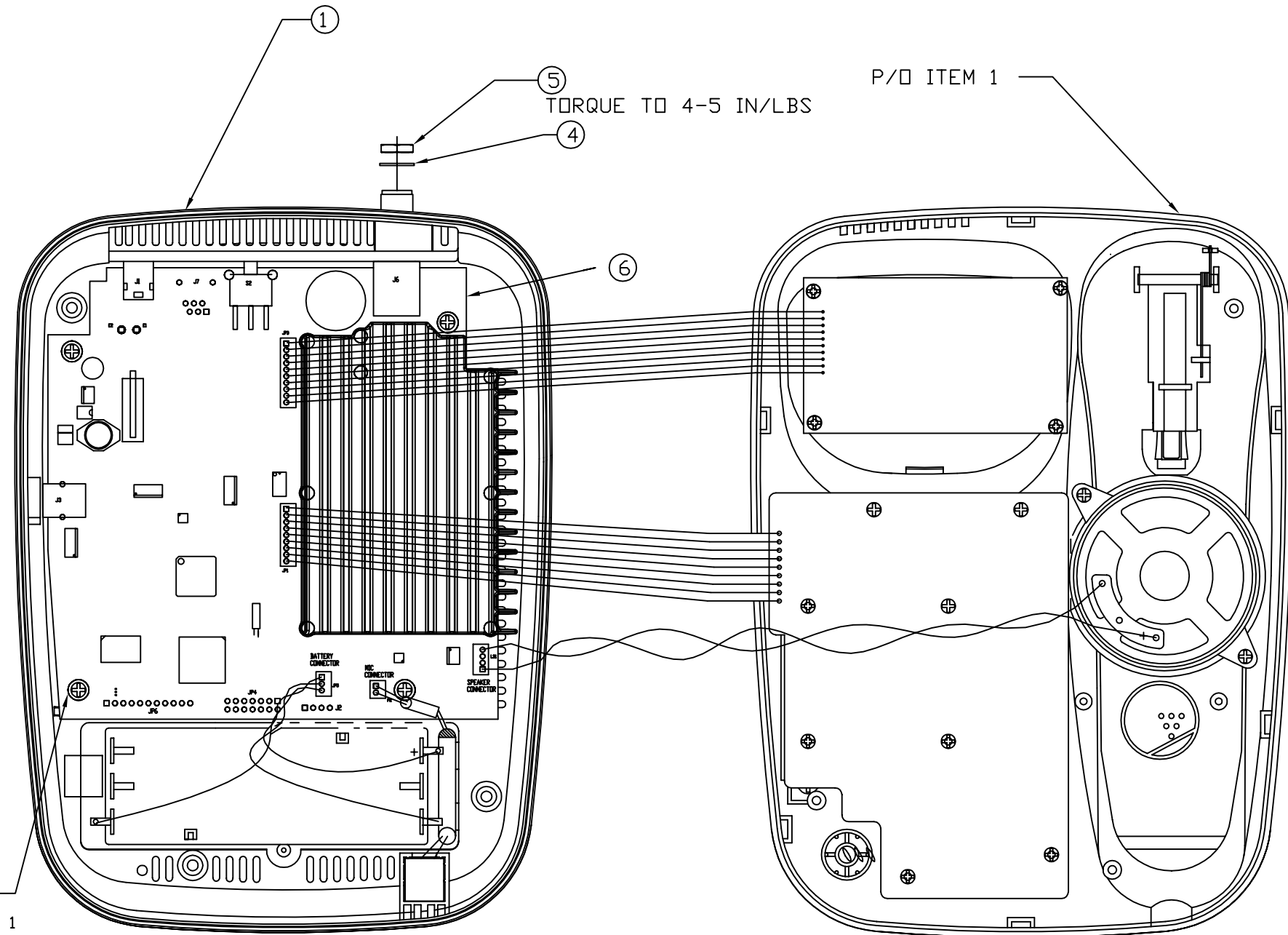
1. MATERIAL: 2" x 1" ADHESIVE-BACKED WHITE POLYESTER:
TELULAR P/N 67020501 (ZEBRA #65598, Z-ULTIMATE 3000 WHITE LABEL)
ZEBRA #5095BK (06045 2.36" X 450 METER BLACK RESIN RIBBON)
2. TEXT FONTS, SIZE AND LOCATION SHALL BE APPROVED BY THE
MARKETING DEPARTMENT PRIOR TO VOLUME PRODUCTION. ALL
TEXT TO BE BLACK.
3. BARCODES TO BE CODE 128.
4. AAAAAAAA TO BE REPLACED WITH ESN OF UNIT IN HEX FORM.
5. CCCCCCCC TO BE REPLACED WITH ESN OF UNIT IN DECIMAL FORM.
6. YYWWLTXXX TO COMPLY WITH TELULAR SPEC. 90006502.
7. NNNNNNNN TO BE REPLACED WITH TOP LEVEL TELULAR NUMBER.
8. DDDDDDDDDDD TO BE REPLACED WITH ABBREVIATED PRODUCT MODEL
DESCRIPTION.
9. RR TO BE REPLACED WITH PRODUCT REVISION IDENTIFIER.
10. MMMMMM TO BE REPLACED WITH COUNTRY OF MANUFACTURE.

P/N 96028401 (SEE SEPARATE PARTS LIST)

 TELULAR		DRAWN BY:
		D. TOBIAS
APPROVED BY:	DES. ENG. N. JOSLYN MFG. D. KRASOWSKI MECH. DESIG. D. TOBIAS	DRAWING NUMBER:
PRW		96028400
TITLE: LABEL, SX4P MONITORPHONE TDMA ASSEMBLY		
DATE: 06/16/03	SHT. 1 OF 1	

DWG. NO. 01029900

REV	ZONE	ECO #	DESCRIPTION OF CHANGE	BY	DATE
XA			RELEASE FOR PROTOTYPE	RLK	03/31/03
REV	ZONE	ECO	DES	BY	DATE



- NOTES:**
1. WORKMANSHIP OF PARTS TO COMPLY TO ANSI/IPC-A-610 CLASS 2, LATEST REVISION.
 2. PART(S) COSMETICS TO BE IN ACCORDANCE WITH TELULAR DOCUMENT 91000400, "SURFACE APPEARANCE AND FINISH." ALL OUTSIDE SURFACES TO BE CLASS "A".
 3. PROTECT PARTS FROM SCRATCHES AND FINGER PRINTS.
 4. PART(S) SHALL BE PACKAGED TO PREVENT DAMAGE TO PARTS SHAPE AND FINISH DURING SHIPPING.

P/N 01029901 (SEE SEPARATE PARTS LIST)

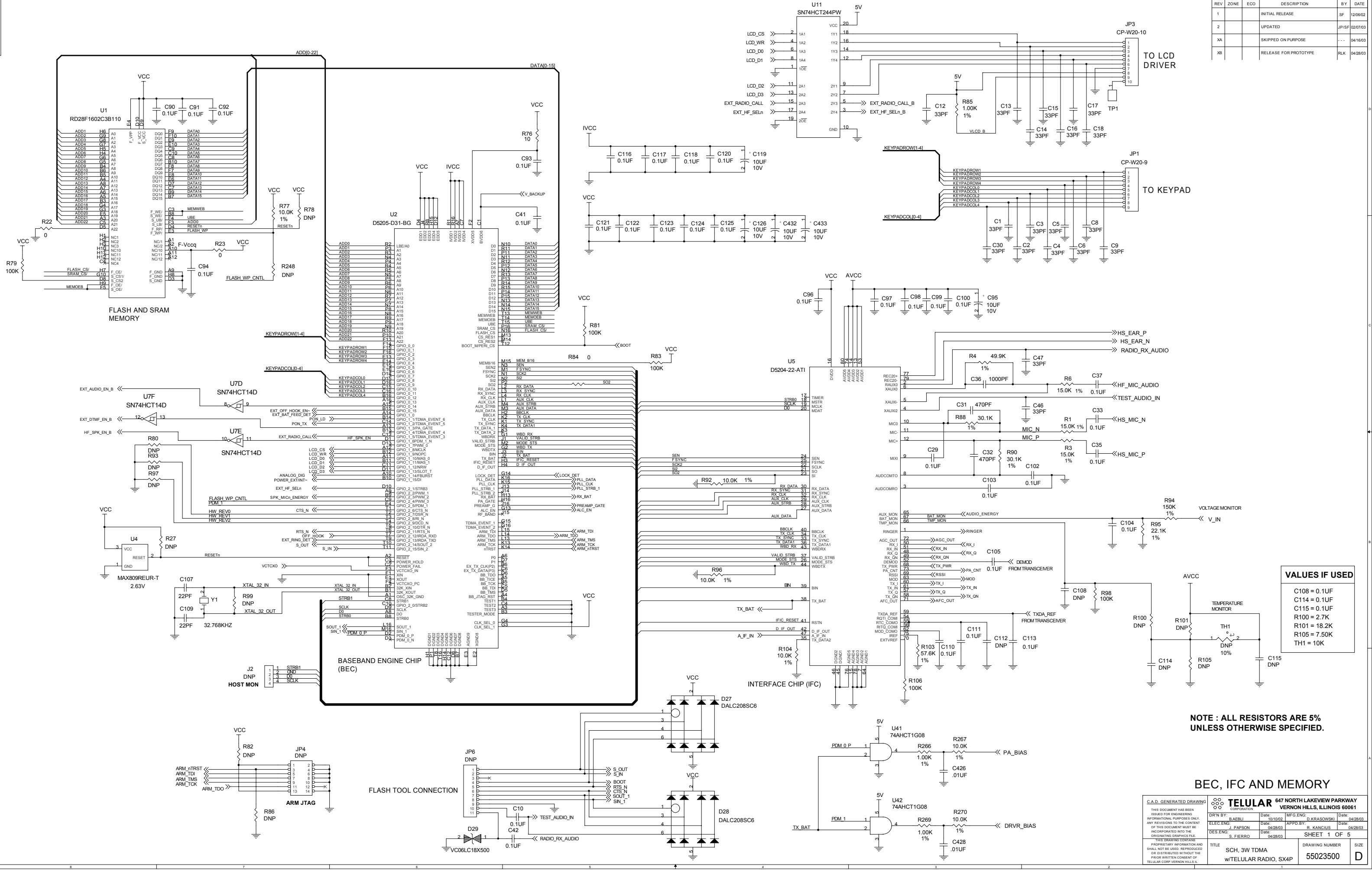
<p>C.A.D. GENERATED DRAWING</p> <p>THIS DOCUMENT HAS BEEN ISSUED FOR ENGINEERING INFORMATIONAL PURPOSES ONLY. ANY REVISIONS TO THE CONTENT OF THIS DOCUMENT MUST BE INCORPORATED INTO THE ORIGINATING GRAPHICS FILE.</p>	<p>TELULAR CORPORATION</p>	647 NORTH LAKEVIEW PARKWAY VERNON HILLS, ILLINOIS 60061	
		<p>UNLESS OTHERWISE SPECIFIED DIMENSIONS ARE IN INCHES. DIMENSIONS IN [] ARE MILLIMETERS. TOLERANCES ON:</p> <p>X ± .031 [.794] XOX ± .010 [.254] XOX ± .005 [.127] FRACTION ± 1/64 [.397]</p>	<p>MATERIAL: N/A</p> <p>FINISH: N/A</p>
<p>THIRD ANGLE PROJECTION</p>	<p>DR'N BY: D. TOBIAS</p> <p>MECH DES: D. TOBIAS</p> <p>DES ENG: S. FIERRO</p> <p>MFG ENG: D. KRASOWSKI</p> <p>APPD BY: P. WOJCIK</p>	<p>DATE: 03/27/03</p> <p>03/31/03</p> <p>03/31/03</p> <p>03/31/03</p> <p>03/31/03</p>	<p>SHT. 1 OF 1</p> <p>SCALE: NONE</p> <p>DWG. NO. 01029900</p>
<p>THIS DRAWING CONTAINS PROPRIETARY INFORMATION AND SHALL NOT BE USED, REPRODUCED OR DISTRIBUTED WITHOUT THE PRIOR WRITTEN CONSENT OF TELULAR CORP., VERNON HILLS, IL</p>	<p>TITLE: SX4P SPEAKERPHONE ASSY, 3W-TDMA, GENERIC</p>	<p>DWG. SIZE: D</p>	

DO NOT SCALE DRAWING

ASSEMBLY PARTS LIST

ASSEMBLY : SX4P SPEAKERPHONE ASSY, 3W-TDMA, GENERIC				ORIGINATOR : RAY KANCIUS				PAGE OF 1 1	
DRAWING NO : 01029900				APPROVED : DAVID TOBIAS				DATE : 03/20/03	
FIND NO:	QTY REQ			01	P/N	DESCRIPTION	REFERENCE DESIGNATOR		
1				1	75006801	KIT, POTS PHONE, SX4P, 3W TDMA			
2				1	96026502	LABEL, LOGO/PAT/FCC, ENGLISH/SPANISH-GEN			
3				1	96028401	LABEL, SPEAKERPHONE, 3W-TDMA800, SX4P			
4				1	25020801	WASHER,INTL 1/2ID, 5/8OD,.022THK			
5				1	25020901	NUT, HEX 1/2-28, FOR TNC BULKHEAD			
6				1	15032001	CCA, 3W-TDMA, SX4P GENERIC DC JACK			
7									
8									
9									
10									
11				REF	87016800	FILE .AXF, 3W-TDMA800, SX4P GENERIC			
12				REF	88016800	SRO, 3W-TDMA800, SX4P GENERIC			
13									
14									
15									
16									
17									
18									
19									
20									
21									
22									
23									
24									
25									
REV	DESCRIPTION			DATE	APPD				
XA	RELEASE FOR PROTOTYPE			03/31/03	RLK				
XB	RELEASE FOR PROTOTYPE			06/23/03	RLK				

REV	ZONE	ECO	DESCRIPTION	BY	DATE
1			INITIAL RELEASE	SF	12/06/02
2			UPDATED	JP/SF	02/07/03
XA			SKIPPED ON PURPOSE	...	04/16/03
XB			RELEASE FOR PROTOTYPE	RLK	04/28/03



VALUES IF USED

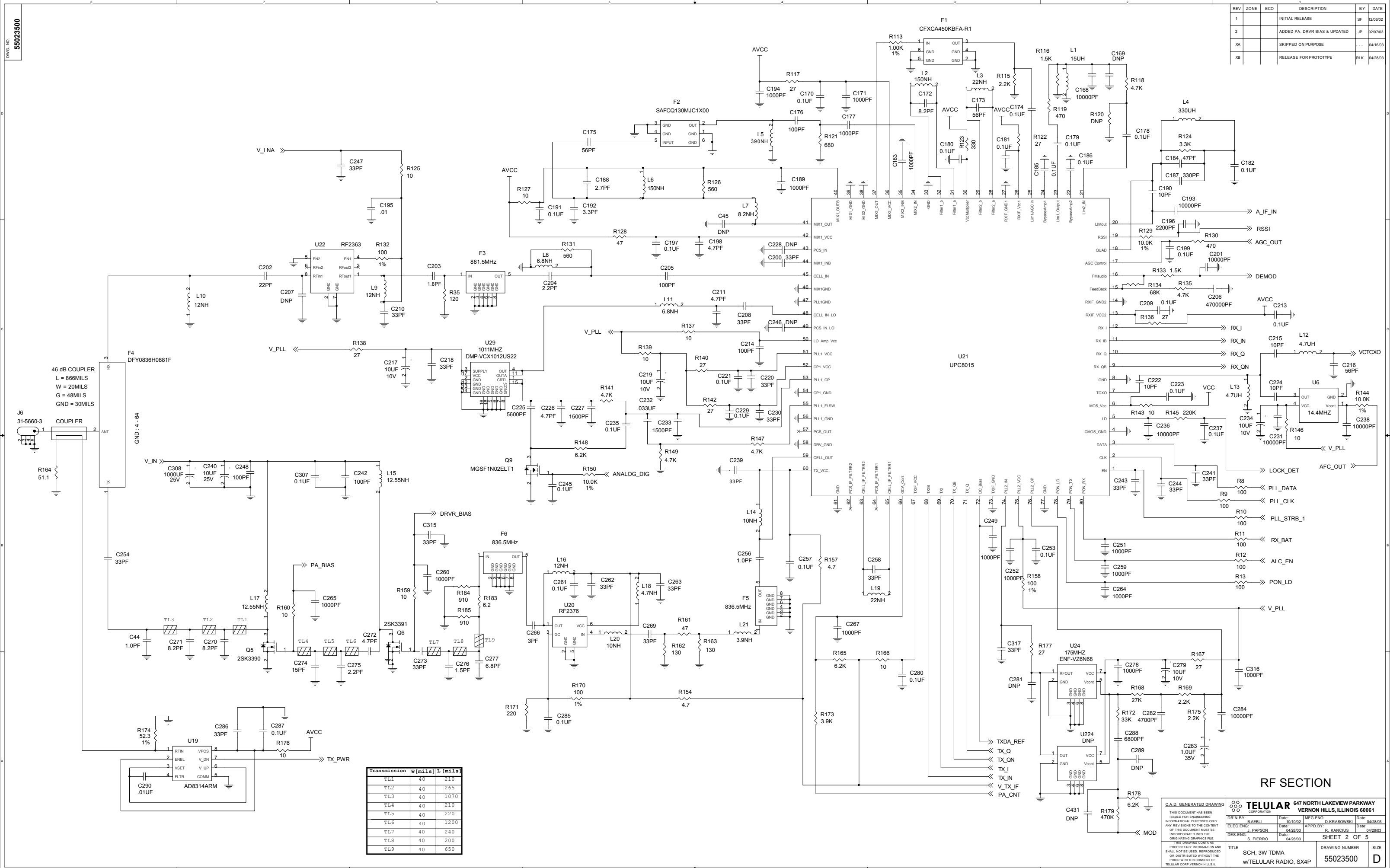
- C108 = 0.1UF
- C114 = 0.1UF
- C115 = 0.1UF
- R100 = 2.7K
- R101 = 18.2K
- R105 = 7.50K
- TH1 = 10K

NOTE : ALL RESISTORS ARE 5% UNLESS OTHERWISE SPECIFIED.

BEC, IFC AND MEMORY

C.A.D. GENERATED DRAWING				647 NORTH LAKEVIEW PARKWAY VERNON HILLS, ILLINOIS 60061	
THIS DOCUMENT HAS BEEN ISSUED FOR ENGINEERING INFORMATIONAL PURPOSES ONLY. ANY REVISIONS TO THE CONTENT OF THIS DOCUMENT MUST BE INCORPORATED INTO THE ORIGINAL DRAWING FILE.					
DRN BY:	B. AEBLI	Date:	10/10/02	MPG. ENG.:	D. KRASOWSKI
ELEC. ENG.:	J. PAPSON	Date:	04/28/03	APPD. BY:	R. KANCIUS
DES. ENG.:	S. FIERRO	Date:	04/28/03		
TITLE			DRAWING NUMBER		SHEET 1 OF 5
SCH, 3W TDMA w/TELULAR RADIO, SX4P			55023500		D

REV	ZONE	ECO	DESCRIPTION	BY	DATE
1			INITIAL RELEASE	SF	12/06/02
2			ADDED PA, DRVR BIAS & UPDATED	JP	02/07/03
XA			SKIPPED ON PURPOSE	...	04/16/03
XB			RELEASE FOR PROTOTYPE	RLK	04/28/03



Transmission	w[mils]	L[mils]
TL1	40	210
TL2	40	265
TL3	40	1070
TL4	40	210
TL5	40	220
TL6	40	1200
TL7	40	240
TL8	40	200
TL9	40	650

RF SECTION

C.A.D. GENERATED DRAWING

TELULAR CORPORATION
647 NORTH LAKEVIEW PARKWAY
VERNON HILLS, ILLINOIS 60061

DRN BY: B. AEBLI Date: 01/10/02
ELEC ENG: J. PAPSON Date: 04/28/03
DES ENG: S. FIERRO Date: 04/28/03

DATE: 04/28/03

TITLE: SCH. 3W TDMA w/TELULAR RADIO, SX4P
DRAWING NUMBER: 55023500
SHEET 2 OF 5