

REV	DESCRIPTION	BY	DATE APPROVED
-	RELEASE TO RECORDS	RLK	1/8/99
A	ECO SX028, ADD CE MARKING	RLK	5/24/99
B	ECO SX107, CHG S/N SPEC	RLK	3/27/00
C	ECO SX161; RMV "USA" ADD NOTE 9	RLK	1/22/01
D	ECO SX177; CREATE -03 FOR 1.9	XXX	8/XX/01



-01



-02



-03


NOTE:

1. MATERIAL: 2" x 1" ADHESIVE-BACKED POLYESTER OR APPROVED EQUIVALENT PER THE DURABILITY TEST OF 1.7.15 OF BS EN 60950: 1992 (BS 7002: 1992).
2. TEXT FONTS, SIZE AND LOCATION SHALL BE APPROVED BY THE MARKETING DEPARTMENT PRIOR TO VOLUME PRODUCTION.
3. BARCODES TO BE CODE 128.
4. AAAAAAAA TO BE REPLACED WITH IMEI OF UNIT.
5. YYWWLTXXX TO COMPLY WITH TELULAR SPEC. 90006502.
6. NNNNNNNN TO BE REPLACED WITH TELULAR MODEL NUMBER.
7. DDDDDDDDDDD TO BE REPLACED WITH ABBREVIATED PRODUCT MODEL DESCRIPTION.
8. RR TO BE REPLACED WITH PRODUCT REVISION IDENTIFIER.
9. MMMMMM TO BE REPLACED WITH COUNTRY OF MANUFACTURE.


P/N 96022503 - GSM SX4E 1.9 (W/ CE MARK & FCC ID)
P/N 96022502 - WITH CE MARK
P/N 96022501

APPROVED BY:	DES. ENG.	G. KNIGHT	DRAWN BY:
P. WOJCIK	MFG.	P. JENSEN	D. TOBIAS
	MECH. DESIG.	G. EHRlich	
TITLE:	LABEL, PHONECELL SX4 GSM ASSEMBLY		DRAWING NUMBER: 96022500
DATE:	12/29/98		SHT. 1 OF 1

REV	DESCRIPTION	BY	DATE APPROVED
XA	RELEASE FOR PROTOTYPE;SX161	RLK	1/22/01
-	RELEASED TO RECORDS	XXX	8/XX/01



TELULAR[®] CORPORATION
647 North Lakeview Parkway
Vernon Hills, Illinois 60061
U.S.A.



SEE MANUAL FOR OPERATION & MAINTENANCE INSTRUCTIONS

FOR TECHNICAL SUPPORT CALL +1-847-247-9400

This device complies with Part 15 of the FCC rules. Operation is subject to the following two conditions: (1) this device may not cause harmful interference and (2) this device must accept any interference received, including interference that may cause undesired operation.

Covered by one or more of the following U.S. patents and their foreign equivalents: 4,658,096; 4,737,975; 4,775,997; 4,868,519; 4,922,517; 5,469,494; 5,134,651; 5,361,297; 5,715,296; 5,046,085 and patents pending.

PN: 96026201

-01



TELULAR[®] CORPORATION
647 North Lakeview Parkway
Vernon Hills, Illinois 60061
U.S.A.



SEE MANUAL FOR OPERATION & MAINTENANCE INSTRUCTIONS

FOR TECHNICAL SUPPORT CALL +1-847-247-9400

Covered by one or more of the following U.S. patents and their foreign equivalents: 4,658,096; 4,737,975; 4,775,997; 4,868,519; 4,922,517; 5,469,494; 5,134,651; 5,361,297; 5,715,296; 5,046,085 and patents pending.

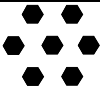
PN: 96026202

-02

NOTE:

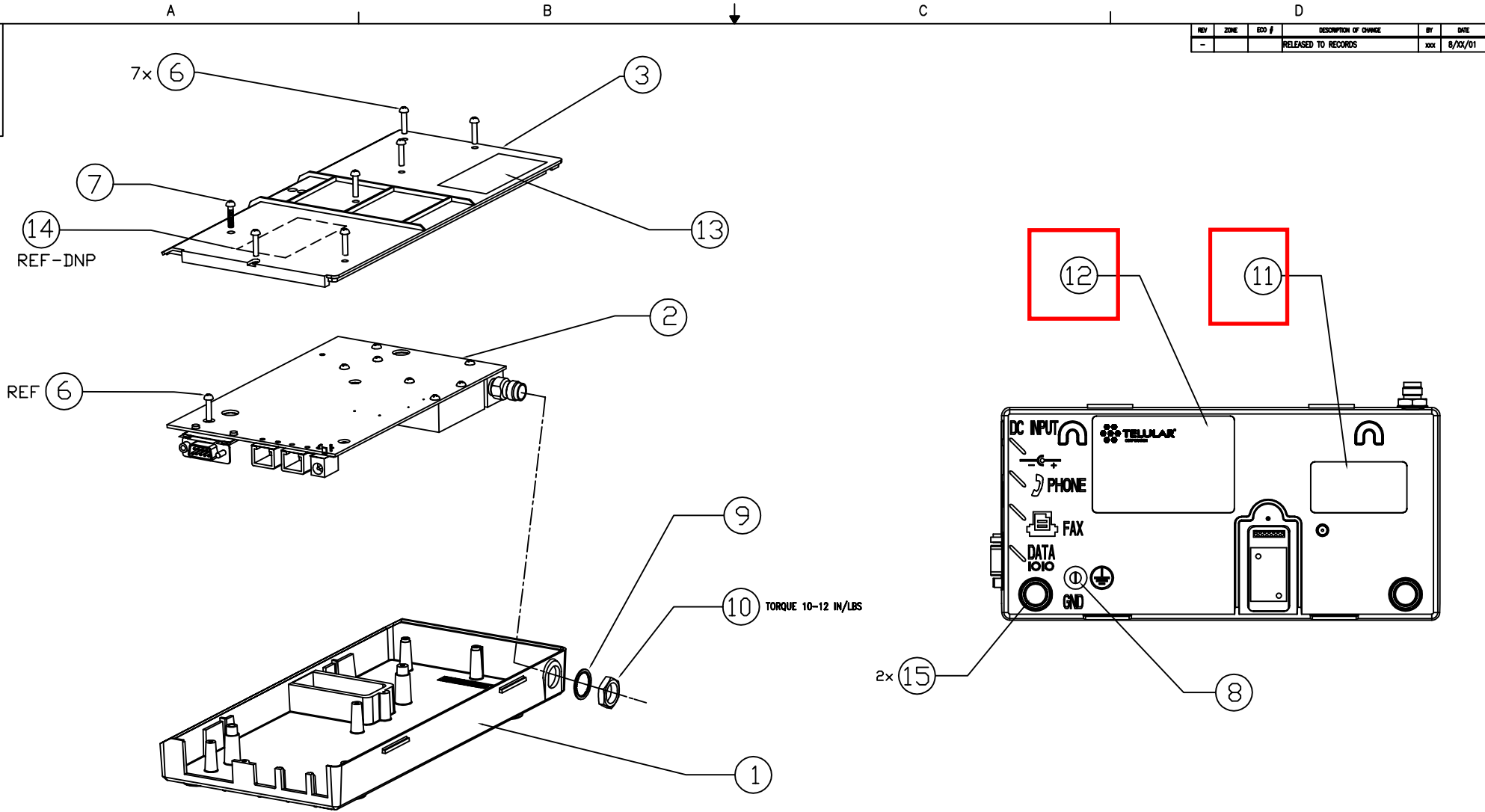
1. MATERIAL: 2" x 3" ADHESIVE-BACKED WHITE POLYESTER OR APPROVED EQUIVALENT PER THE DURABILITY TEST OF 1.7.15 OF BS EN 60950: 1992 (BS 7002: 1992).
2. TEXT FONTS, SIZE AND LOCATION SHALL BE APPROVED BY THE MARKETING DEPARTMENT PRIOR TO VOLUME PRODUCTION.
3. COLOR: ALL TEXT AND SYMBOLS TO BE BLACK.

P/N 96026202 WITHOUT FCC RULES
P/N 96026201 WITH FCC RULES

 TELULAR			
APPROVED BY:	DES. ENG. G. KNIGHT	DRAWN BY:	
PRW	MFG. D. KRASOWSKI	D. TOBIAS	
	MECH. DESIG. D. TOBIAS		
TITLE: LABEL, LOGO/PATENTS		DRAWING NUMBER: 96026200	
DATE: 1/22/01		SHT. 1 OF 1	

DWG. NO. 01025300

REV	ZONE	ECO #	DESCRIPTION OF CHANGE	BY	DATE
-			RELEASED TO RECORDS	xxx	8/00/01



- NOTES:**
1. INTERPRET DRAWING PER DOD-STD-100 AND ANSI Y14.5M
 2. WORKMANSHIP SHALL BE IN ACCORDANCE WITH ANSI/IPC-610A CLASS 2.
 3. TORQUE SCREWS TO 3-4 IN/LBS UNLESS OTHERWISE SPECIFIED.

P/N 01025301 (SEE SEPARATE PARTS LIST)

<p>CAD GENERATED DRAWING THIS DOCUMENT HAS BEEN ISSUED FOR ENGINEERING INFORMATIONAL PURPOSES ONLY. ANY REVISIONS TO THE CONTENT OF THIS DOCUMENT MUST BE INCORPORATED INTO THE ORIGINAL GRAPHICS FILE.</p>		<p>TELULAR CORPORATION 647 NORTH LAKEVIEW PARKWAY VERNON HILLS, ILLINOIS 60061</p>	
<p>THIRD ANGLE PROJECTION</p>	<p>UNLESS OTHERWISE SPECIFIED DIMENSIONS ARE IN INCHES. DIMENSIONS ARE: FRACTIONS ARE: DECIMALS ARE: FINISH: N/A</p>	<p>MATERIAL: W/A</p>	<p>DRN BY: G. STERLACCI DWE: 4/16/01 MECH DES: D. TOBIAS 6/04/01 DES ENG: J. PAPPSON 6/04/01 MFG ENG: J. KRASOWSKI 6/04/01 APPD BY: P. WOLCZK 6/04/01</p>
<p>THIS DRAWING CONTAINS PROPRIETARY INFORMATION AND SHALL NOT BE USED, REPRODUCED OR DISTRIBUTED WITHOUT THE PRIOR WRITTEN CONSENT OF TELULAR CORP., VERNON HILLS, IL.</p>		<p>TITLE: PHONECELL SX4a ASSEMBLY (GSM) 1.9-V/F/PC</p>	<p>SHT. 1 OF 1 SCALE: 1:1 DWG. NO. 01025300 DWG. SIZE: D</p>



DO NOT SCALE DRAWING

