

### System Check\_Body\_750MHz\_120307

**DUT: D750V3-SN:1012**

Communication System: CW; Frequency: 750 MHz; Duty Cycle: 1:1

Medium: MSL\_750\_120307 Medium parameters used:  $f = 750 \text{ MHz}$ ;  $\sigma = 0.961 \text{ mho/m}$ ;  $\epsilon_r = 53.931$ ;

$\rho = 1000 \text{ kg/m}^3$

Ambient Temperature : 22.4 °C ; Liquid Temperature : 21.4 °C

DASY5 Configuration:

- Probe: ET3DV6 - SN1787; ConvF(6.35, 6.35, 6.35); Calibrated: 2011/5/20
- Sensor-Surface: 4mm (Mechanical Surface Detection)
- Electronics: DAE3 Sn495; Calibrated: 2011/4/28
- Phantom: ELI v5.0; Type: QDOVA002AA; Serial: TP1127
- Measurement SW: DASY52, Version 52.8 (0); SEMCAD X Version 14.6.4 (4989)

**Pin=250mW/Area Scan (61x61x1):** Measurement grid: dx=15mm, dy=15mm

Maximum value of SAR (interpolated) = 2.317 mW/g

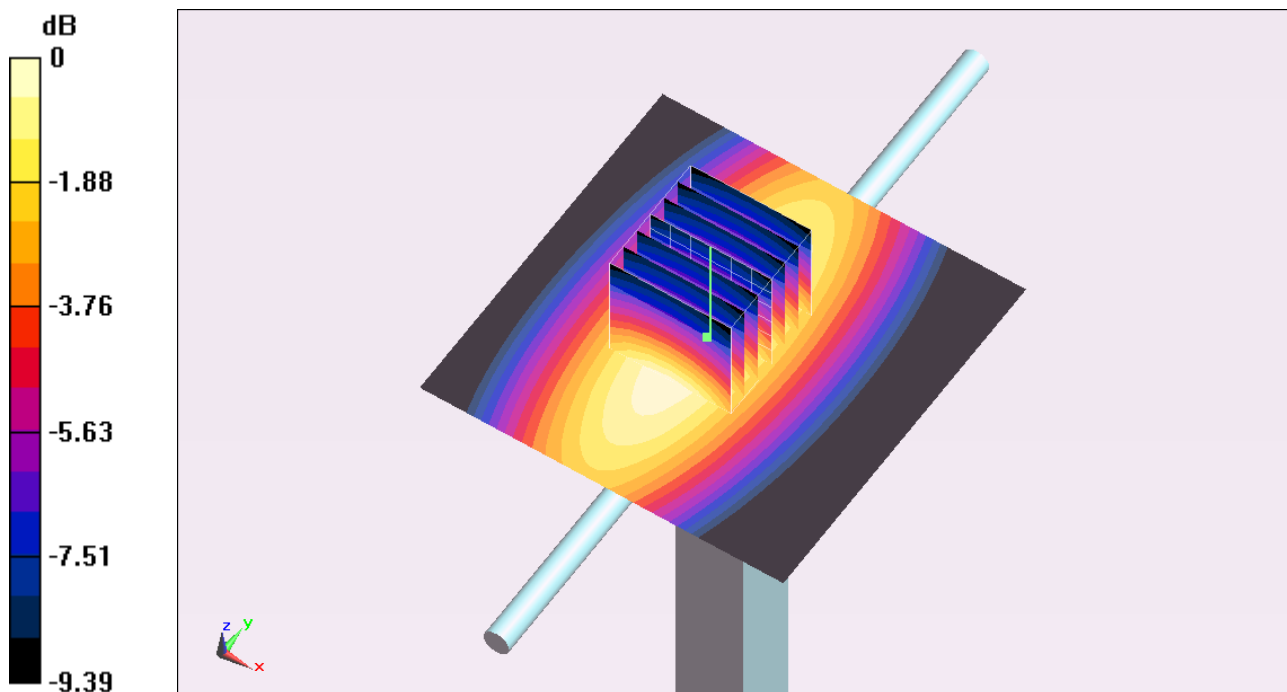
**Pin=250mW/Zoom Scan (7x7x7)/Cube 0:** Measurement grid: dx=5mm, dy=5mm, dz=5mm

Reference Value = 51.242 V/m; Power Drift = -0.02 dB

Peak SAR (extrapolated) = 2.9080

**SAR(1 g) = 2.14 mW/g; SAR(10 g) = 1.46 mW/g**

Maximum value of SAR (measured) = 2.313 mW/g



0 dB = 2.310mW/g = 7.27 dB mW/g

### System Check\_Body\_750MHz\_120320

**DUT: D750V3-SN:1012**

Communication System: CW; Frequency: 750 MHz; Duty Cycle: 1:1

Medium: MSL\_750\_120320 Medium parameters used:  $f = 750 \text{ MHz}$ ;  $\sigma = 0.963 \text{ mho/m}$ ;  $\epsilon_r = 54.224$ ;

$\rho = 1000 \text{ kg/m}^3$

Ambient Temperature :  $22.8 \text{ }^\circ\text{C}$ ; Liquid Temperature :  $21.8 \text{ }^\circ\text{C}$

DASY5 Configuration:

- Probe: ET3DV6 - SN1787; ConvF(6.35, 6.35, 6.35); Calibrated: 2011/5/20
- Sensor-Surface: 4mm (Mechanical Surface Detection)
- Electronics: DAE4 Sn778; Calibrated: 2011/11/22
- Phantom: ELI v5.0; Type: QDOVA002AA; Serial: TP1127
- Measurement SW: DASY52, Version 52.8 (0); SEMCAD X Version 14.6.4 (4989)

**Pin=250mW/Area Scan (61x61x1):** Measurement grid:  $dx=15\text{mm}$ ,  $dy=15\text{mm}$

Maximum value of SAR (interpolated) =  $2.346 \text{ mW/g}$

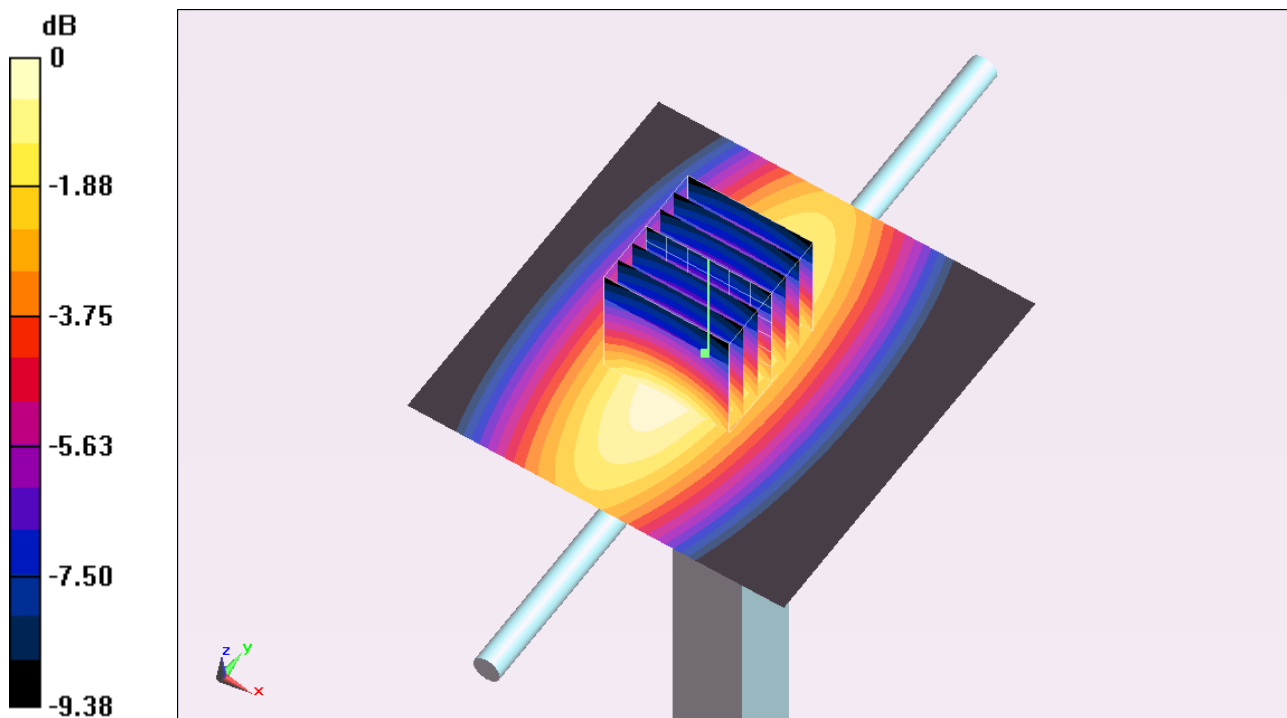
**Pin=250mW/Zoom Scan (7x7x7)/Cube 0:** Measurement grid:  $dx=5\text{mm}$ ,  $dy=5\text{mm}$ ,  $dz=5\text{mm}$

Reference Value =  $51.113 \text{ V/m}$ ; Power Drift =  $0.10 \text{ dB}$

Peak SAR (extrapolated) =  $2.9710$

**SAR(1 g) =  $2.18 \text{ mW/g}$ ; SAR(10 g) =  $1.48 \text{ mW/g}$**

Maximum value of SAR (measured) =  $2.358 \text{ mW/g}$



0 dB =  $2.360 \text{ mW/g} = 7.46 \text{ dB mW/g}$

## System Check\_Body\_835MHz\_120306

**DUT: D835V2-SN:499**

Communication System: CW; Frequency: 835 MHz; Duty Cycle: 1:1

Medium: MSL\_850\_120306 Medium parameters used:  $f = 835 \text{ MHz}$ ;  $\sigma = 0.985 \text{ mho/m}$ ;  $\epsilon_r = 54.535$ ;

$\rho = 1000 \text{ kg/m}^3$

Ambient Temperature :  $22.4 \text{ }^\circ\text{C}$ ; Liquid Temperature :  $21.4 \text{ }^\circ\text{C}$

DASY5 Configuration:

- Probe: ET3DV6 - SN1787; ConvF(6.22, 6.22, 6.22); Calibrated: 2011/5/20
- Sensor-Surface: 4mm (Mechanical Surface Detection)
- Electronics: DAE3 Sn495; Calibrated: 2011/4/28
- Phantom: ELI v5.0; Type: QDOVA002AA; Serial: TP1127
- Measurement SW: DASY52, Version 52.8 (0); SEMCAD X Version 14.6.4 (4989)

**Pin=250mW/Area Scan (61x61x1):** Measurement grid:  $dx=15\text{mm}$ ,  $dy=15\text{mm}$

Maximum value of SAR (interpolated) =  $2.793 \text{ mW/g}$

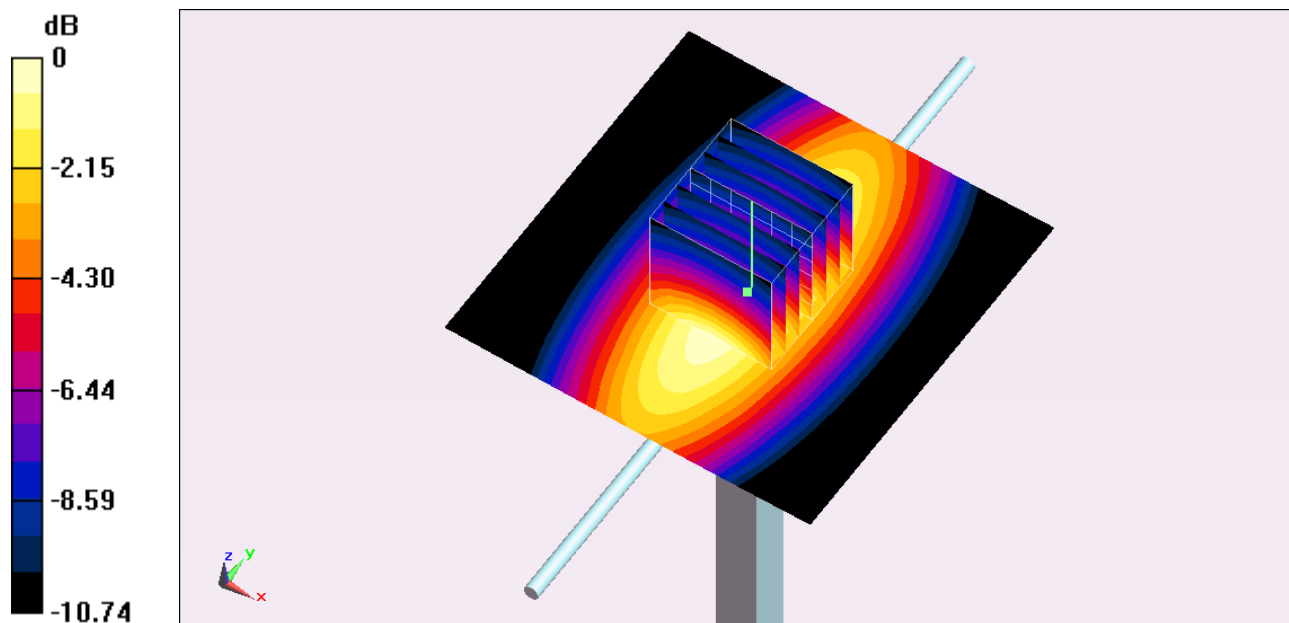
**Pin=250mW/Zoom Scan (7x7x7)/Cube 0:** Measurement grid:  $dx=5\text{mm}$ ,  $dy=5\text{mm}$ ,  $dz=5\text{mm}$

Reference Value =  $55.063 \text{ V/m}$ ; Power Drift =  $-0.10 \text{ dB}$

Peak SAR (extrapolated) =  $3.8870$

**SAR(1 g) =  $2.57 \text{ mW/g}$ ; SAR(10 g) =  $1.62 \text{ mW/g}$**

Maximum value of SAR (measured) =  $2.803 \text{ mW/g}$



0 dB =  $2.800 \text{ mW/g} = 8.94 \text{ dB mW/g}$

## System Check\_Body\_835MHz\_120320

**DUT: D835V2-SN:499**

Communication System: CW; Frequency: 835 MHz; Duty Cycle: 1:1

Medium: MSL\_850\_120320 Medium parameters used:  $f = 835 \text{ MHz}$ ;  $\sigma = 0.963 \text{ mho/m}$ ;  $\epsilon_r = 54.498$ ;

$\rho = 1000 \text{ kg/m}^3$

Ambient Temperature : 22.8 °C ; Liquid Temperature : 21.8 °C

DASY5 Configuration:

- Probe: EX3DV4 - SN3820; ConvF(9.24, 9.24, 9.24); Calibrated: 2011/12/16
- Sensor-Surface: 4mm (Mechanical Surface Detection)
- Electronics: DAE3 Sn495; Calibrated: 2011/4/28
- Phantom: ELI v5.0; Type: QDOVA002AA; Serial: TP1127
- Measurement SW: DASY52, Version 52.8 (0); SEMCAD X Version 14.6.4 (4989)

**Pin=250mW/Area Scan (61x61x1):** Measurement grid: dx=15mm, dy=15mm

Maximum value of SAR (interpolated) = 2.856 mW/g

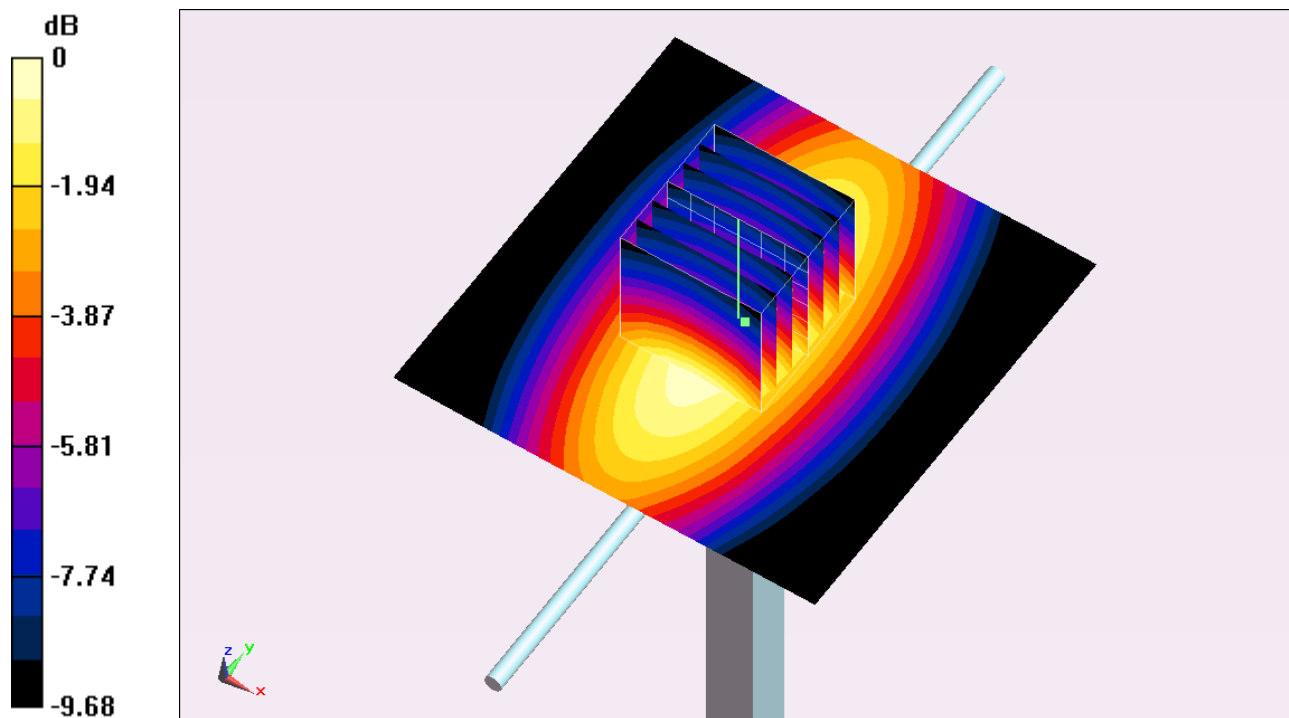
**Pin=250mW/Zoom Scan (7x7x7)/Cube 0:** Measurement grid: dx=5mm, dy=5mm, dz=5mm

Reference Value = 54.800 V/m; Power Drift = -0.08 dB

Peak SAR (extrapolated) = 3.8850

**SAR(1 g) = 2.65 mW/g; SAR(10 g) = 1.76 mW/g**

Maximum value of SAR (measured) = 2.860 mW/g



0 dB = 2.860mW/g = 9.13 dB mW/g

### System Check\_Body\_835MHz\_120521

**DUT: D835V2-SN:499**

Communication System: CW; Frequency: 835 MHz; Duty Cycle: 1:1

Medium: MSL\_850\_120521 Medium parameters used:  $f = 835 \text{ MHz}$ ;  $\sigma = 0.963 \text{ mho/m}$ ;  $\epsilon_r = 54.5$ ;  $\rho = 1000 \text{ kg/m}^3$

Ambient Temperature : 22.5 °C ; Liquid Temperature : 21.5 °C

DASY4 Configuration:

- Probe: ET3DV6R - SN1788; ConvF(5.75, 5.75, 5.75); Calibrated: 2012/1/26
- Sensor-Surface: 4mm (Mechanical Surface Detection)
- Electronics: DAE4 Sn778; Calibrated: 2011/11/22
- Phantom: ELI 4.0\_Front; Type: QDOVA001BB; Serial: 1026
- Measurement SW: DASY4, V4.7 Build 80; Postprocessing SW: SEMCAD, V1.8 Build 186

**Pin=250mW/Area Scan (61x61x1):** Measurement grid: dx=15mm, dy=15mm

Maximum value of SAR (interpolated) = 2.63 mW/g

**Pin=250mW/Zoom Scan (7x7x7)/Cube 0:** Measurement grid: dx=5mm, dy=5mm, dz=5mm

Reference Value = 53.8 V/m; Power Drift = -0.116 dB

Peak SAR (extrapolated) = 3.76 W/kg

**SAR(1 g) = 2.42 mW/g; SAR(10 g) = 1.52 mW/g**

Maximum value of SAR (measured) = 2.64 mW/g



### System Check\_Body\_1750MHz\_120303

**DUT: D1750V2-SN:1023**

Communication System: CW; Frequency: 1750 MHz; Duty Cycle: 1:1

Medium: MSL\_1750\_120303 Medium parameters used:  $f = 1750$  MHz;  $\sigma = 1.518$  mho/m;  $\epsilon_r =$

$52.076$ ;  $\rho = 1000$  kg/m<sup>3</sup>

Ambient Temperature : 22.6 °C ; Liquid Temperature : 21.6 °C

DASY5 Configuration:

- Probe: ET3DV6 - SN1787; ConvF(4.74, 4.74, 4.74); Calibrated: 2011/5/20
- Sensor-Surface: 4mm (Mechanical Surface Detection)
- Electronics: DAE3 Sn495; Calibrated: 2011/4/28
- Phantom: ELI v5.0; Type: QDOVA002AA; Serial: TP1127
- Measurement SW: DASY52, Version 52.8 (0); SEMCAD X Version 14.6.4 (4989)

**Pin=250mW/Area Scan (61x61x1):** Measurement grid: dx=15mm, dy=15mm

Maximum value of SAR (interpolated) = 10.650 mW/g

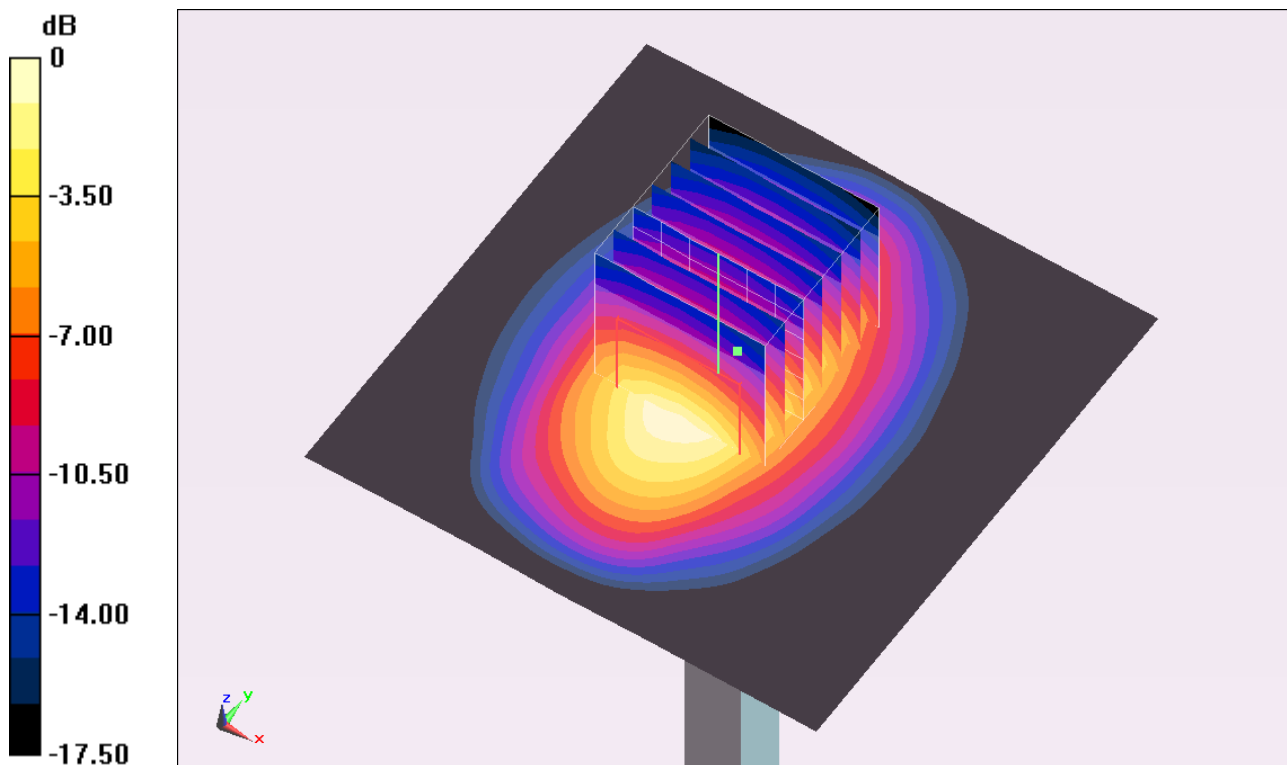
**Pin=250mW/Zoom Scan (7x7x7)/Cube 0:** Measurement grid: dx=5mm, dy=5mm, dz=5mm

Reference Value = 84.320 V/m; Power Drift = 0.02 dB

Peak SAR (extrapolated) = 13.8170

**SAR(1 g) = 8.65 mW/g; SAR(10 g) = 4.7 mW/g**

Maximum value of SAR (measured) = 9.800 mW/g



0 dB = 9.800mW/g = 19.82 dB mW/g

### System Check\_Body\_1750MHz\_120305

**DUT: D1750V2-SN:1023**

Communication System: CW; Frequency: 1750 MHz; Duty Cycle: 1:1

Medium: MSL\_1750\_120305 Medium parameters used:  $f = 1750$  MHz;  $\sigma = 1.546$  mho/m;  $\epsilon_r =$

51.742;  $\rho = 1000$  kg/m<sup>3</sup>

Ambient Temperature : 22.4 °C ; Liquid Temperature : 21.4 °C

DASY5 Configuration:

- Probe: ET3DV6 - SN1787; ConvF(4.74, 4.74, 4.74); Calibrated: 2011/5/20
- Sensor-Surface: 4mm (Mechanical Surface Detection)
- Electronics: DAE3 Sn495; Calibrated: 2011/4/28
- Phantom: ELI v5.0; Type: QDOVA002AA; Serial: TP1127
- Measurement SW: DASY52, Version 52.8 (0); SEMCAD X Version 14.6.4 (4989)

**Pin=250mW/Area Scan (61x61x1):** Measurement grid: dx=15mm, dy=15mm

Maximum value of SAR (interpolated) = 11.204 mW/g

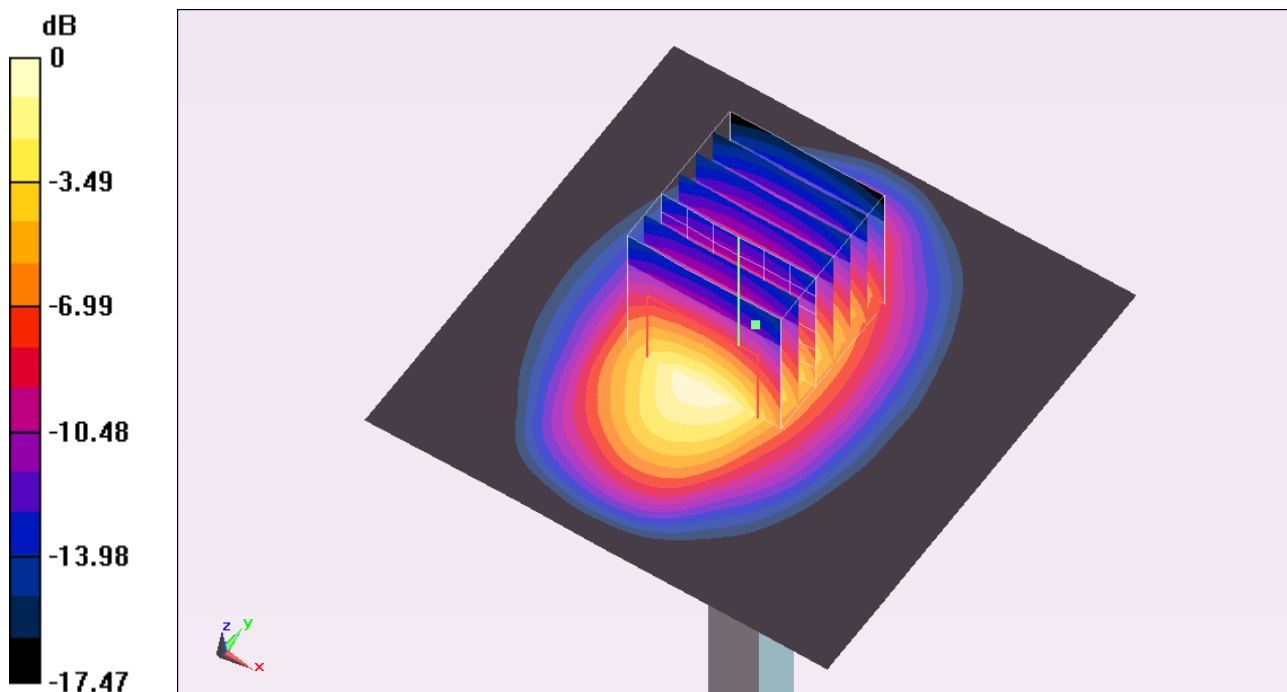
**Pin=250mW/Zoom Scan (7x7x7)/Cube 0:** Measurement grid: dx=5mm, dy=5mm, dz=5mm

Reference Value = 86.419 V/m; Power Drift = 0.03 dB

Peak SAR (extrapolated) = 15.0390

**SAR(1 g) = 9.28 mW/g; SAR(10 g) = 5.03 mW/g**

Maximum value of SAR (measured) = 10.699 mW/g



0 dB = 10.700mW/g = 20.59 dB mW/g

### System Check\_Body\_1750MHz\_120320

**DUT: D1750V2-SN:1023**

Communication System: CW; Frequency: 1750 MHz; Duty Cycle: 1:1

Medium: MSL\_1750\_120320 Medium parameters used:  $f = 1750$  MHz;  $\sigma = 1.523$  mho/m;  $\epsilon_r =$

51.635;  $\rho = 1000$  kg/m<sup>3</sup>

Ambient Temperature : 22.5 °C ; Liquid Temperature : 21.5 °C

DASY5 Configuration:

- Probe: ET3DV6 - SN1787; ConvF(4.74, 4.74, 4.74); Calibrated: 2011/5/20
- Sensor-Surface: 4mm (Mechanical Surface Detection)
- Electronics: DAE4 Sn778; Calibrated: 2011/11/22
- Phantom: ELI v5.0; Type: QDOVA002AA; Serial: TP1127
- Measurement SW: DASY52, Version 52.8 (0); SEMCAD X Version 14.6.4 (4989)

**Pin=250mW/Area Scan (61x61x1):** Measurement grid: dx=15mm, dy=15mm

Maximum value of SAR (interpolated) = 11.666 mW/g

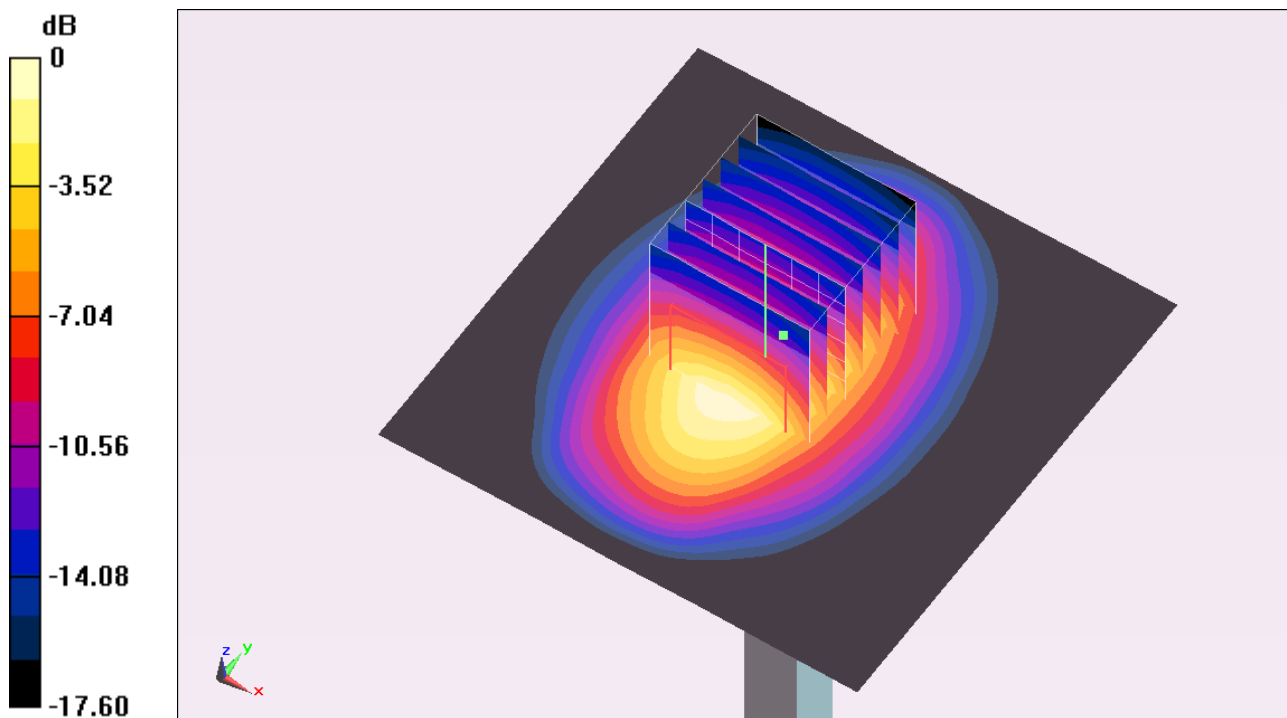
**Pin=250mW/Zoom Scan (7x7x7)/Cube 0:** Measurement grid: dx=5mm, dy=5mm, dz=5mm

Reference Value = 88.542 V/m; Power Drift = 0.02 dB

Peak SAR (extrapolated) = 15.7500

**SAR(1 g) = 9.65 mW/g; SAR(10 g) = 5.22 mW/g**

Maximum value of SAR (measured) = 11.098 mW/g



0 dB = 11.100mW/g = 20.91 dB mW/g



## System Check\_Body\_1900MHz\_120302

**DUT: D1900V2-SN:5d041**

Communication System: CW; Frequency: 1900 MHz; Duty Cycle: 1:1

Medium: MSL\_1900\_120302 Medium parameters used:  $f = 1900$  MHz;  $\sigma = 1.548$  mho/m;  $\epsilon_r =$

$52.971$ ;  $\rho = 1000$  kg/m<sup>3</sup>

Ambient Temperature : 22.6 °C ; Liquid Temperature : 21.6 °C

DASY5 Configuration:

- Probe: ET3DV6 - SN1787; ConvF(4.48, 4.48, 4.48); Calibrated: 2011/5/20
- Sensor-Surface: 4mm (Mechanical Surface Detection)
- Electronics: DAE3 Sn495; Calibrated: 2011/4/28
- Phantom: ELI v5.0; Type: QDOVA002AA; Serial: TP1127
- Measurement SW: DASY52, Version 52.8 (0); SEMCAD X Version 14.6.4 (4989)

**Pin=250mW/Area Scan (61x61x1):** Measurement grid: dx=15mm, dy=15mm

Maximum value of SAR (interpolated) = 11.439 mW/g

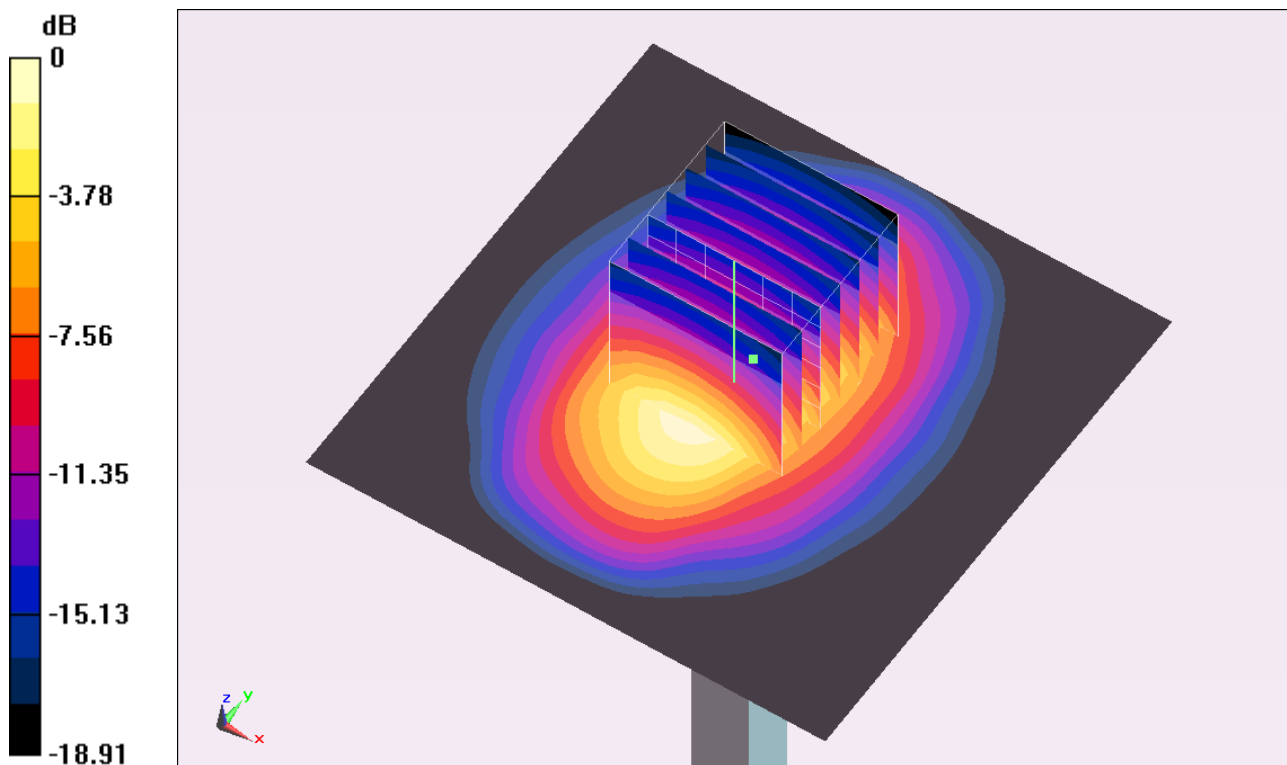
**Pin=250mW/Zoom Scan (7x7x7)/Cube 0:** Measurement grid: dx=5mm, dy=5mm, dz=5mm

Reference Value = 88.465 V/m; Power Drift = 0.12 dB

Peak SAR (extrapolated) = 17.0120

**SAR(1 g) = 9.73 mW/g; SAR(10 g) = 5.04 mW/g**

Maximum value of SAR (measured) = 11.000 mW/g



0 dB = 11.000mW/g = 20.83 dB mW/g

## System Check\_Body\_1900MHz\_120303

**DUT: D1900V2-SN:5d041**

Communication System: CW; Frequency: 1900 MHz; Duty Cycle: 1:1

Medium: MSL\_1900\_120303 Medium parameters used:  $f = 1900$  MHz;  $\sigma = 1.503$  mho/m;  $\epsilon_r =$

$53.023$ ;  $\rho = 1000$  kg/m<sup>3</sup>

Ambient Temperature : 22.5 °C ; Liquid Temperature : 21.5 °C

DASY5 Configuration:

- Probe: ET3DV6 - SN1787; ConvF(4.48, 4.48, 4.48); Calibrated: 2011/5/20
- Sensor-Surface: 4mm (Mechanical Surface Detection)
- Electronics: DAE3 Sn495; Calibrated: 2011/4/28
- Phantom: ELI v5.0; Type: QDOVA002AA; Serial: TP1127
- Measurement SW: DASY52, Version 52.8 (0); SEMCAD X Version 14.6.4 (4989)

**Pin=250mW/Area Scan (61x61x1):** Measurement grid: dx=15mm, dy=15mm

Maximum value of SAR (interpolated) = 11.106 mW/g

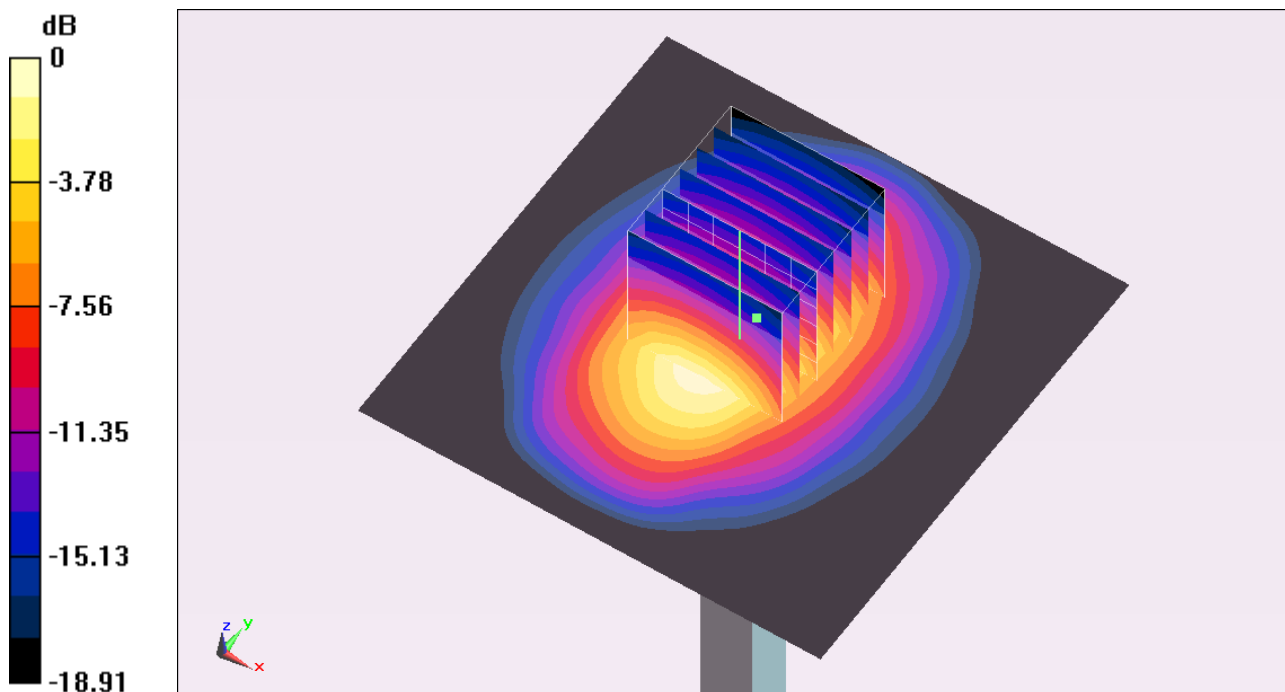
**Pin=250mW/Zoom Scan (7x7x7)/Cube 0:** Measurement grid: dx=5mm, dy=5mm, dz=5mm

Reference Value = 88.465 V/m; Power Drift = 0.12 dB

Peak SAR (extrapolated) = 16.5180

**SAR(1 g) = 9.45 mW/g; SAR(10 g) = 4.89 mW/g**

Maximum value of SAR (measured) = 10.680 mW/g



0 dB = 10.680mW/g = 20.57 dB mW/g

### System Check\_Body\_1900MHz\_120320

**DUT: D1900V2-SN:5d041**

Communication System: CW; Frequency: 1900 MHz; Duty Cycle: 1:1

Medium: MSL\_1900\_120320 Medium parameters used:  $f = 1900$  MHz;  $\sigma = 1.534$  mho/m;  $\epsilon_r =$

$51.986$ ;  $\rho = 1000$  kg/m<sup>3</sup>

Ambient Temperature : 22.5 °C ; Liquid Temperature : 21.5 °C

DASY5 Configuration:

- Probe: ET3DV6 - SN1787; ConvF(4.48, 4.48, 4.48); Calibrated: 2011/5/20
- Sensor-Surface: 4mm (Mechanical Surface Detection)
- Electronics: DAE4 Sn778; Calibrated: 2011/11/22
- Phantom: ELI v5.0; Type: QDOVA002AA; Serial: TP1127
- Measurement SW: DASY52, Version 52.8 (0); SEMCAD X Version 14.6.4 (4989)

**Pin=250mW/Area Scan (61x61x1):** Measurement grid: dx=15mm, dy=15mm

Maximum value of SAR (interpolated) = 12.615 mW/g

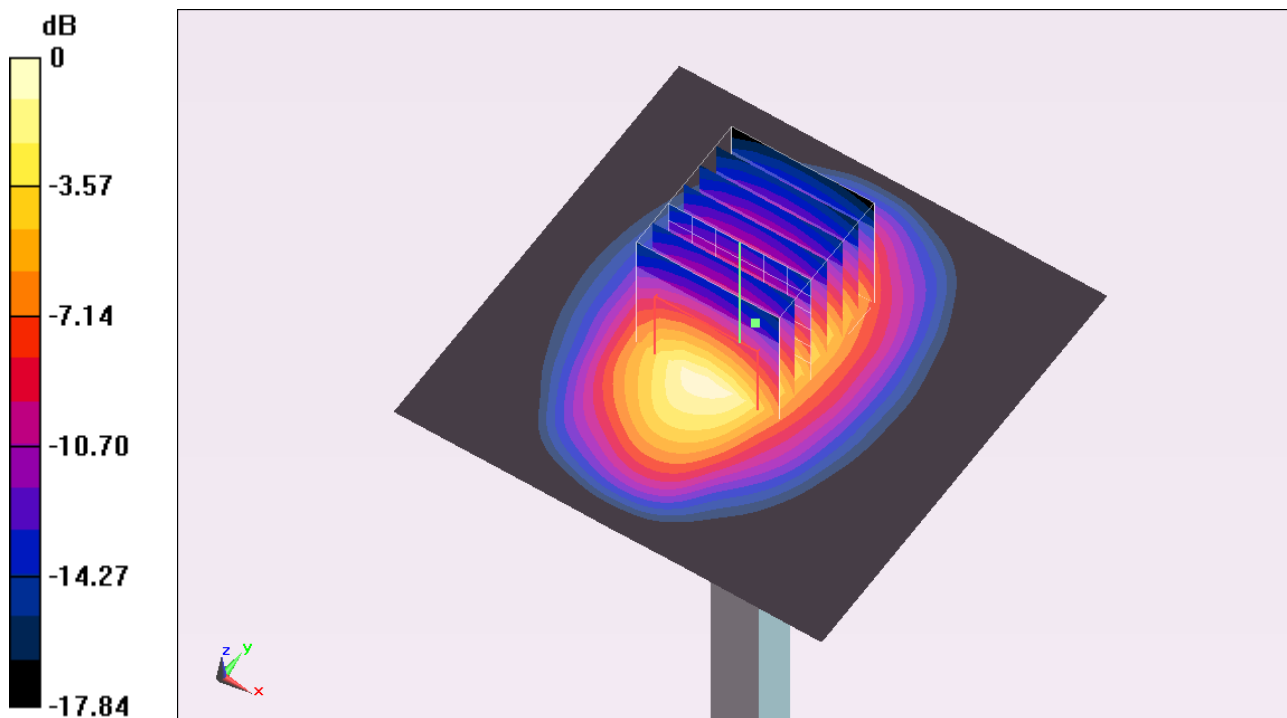
**Pin=250mW/Zoom Scan (7x7x7)/Cube 0:** Measurement grid: dx=5mm, dy=5mm, dz=5mm

Reference Value = 91.093 V/m; Power Drift = 0.02 dB

Peak SAR (extrapolated) = 18.0110

**SAR(1 g) = 10.5 mW/g; SAR(10 g) = 5.55 mW/g**

Maximum value of SAR (measured) = 11.914 mW/g



0 dB = 11.910mW/g = 21.52 dB mW/g

### System Check\_Body\_1900MHz\_120521

**DUT: D1900V2-SN:5d041**

Communication System: CW; Frequency: 1900 MHz; Duty Cycle: 1:1

Medium: MSL\_1900\_120521 Medium parameters used:  $f = 1900$  MHz;  $\sigma = 1.52$  mho/m;  $\epsilon_r = 54.6$ ;  $\rho = 1000$  kg/m<sup>3</sup>

Ambient Temperature : 22.5 °C ; Liquid Temperature : 21.5 °C

DASY4 Configuration:

- Probe: ET3DV6R - SN1788; ConvF(4.06, 4.06, 4.06); Calibrated: 2012/1/26
- Sensor-Surface: 4mm (Mechanical Surface Detection)
- Electronics: DAE4 Sn778; Calibrated: 2011/11/22
- Phantom: ELI 4.0\_Front; Type: QDOVA001BB; Serial: 1026
- Measurement SW: DASY4, V4.7 Build 80; Postprocessing SW: SEMCAD, V1.8 Build 186

**Pin=250mW/Area Scan (61x61x1):** Measurement grid: dx=15mm, dy=15mm

Maximum value of SAR (interpolated) = 11.3 mW/g

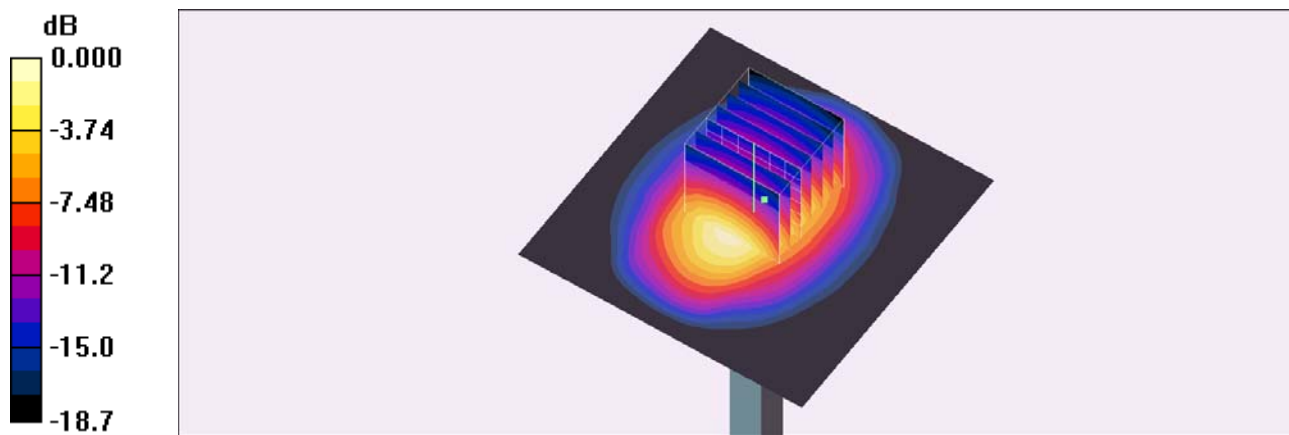
**Pin=250mW/Zoom Scan (7x7x7)/Cube 0:** Measurement grid: dx=5mm, dy=5mm, dz=5mm

Reference Value = 90.6 V/m; Power Drift = 0.086 dB

Peak SAR (extrapolated) = 15.8 W/kg

**SAR(1 g) = 9.57 mW/g; SAR(10 g) = 5.01 mW/g**

Maximum value of SAR (measured) = 10.9 mW/g



0 dB = 10.9mW/g

### System Check\_Body\_2450MHz\_120308

**DUT: D2450V2-SN:736**

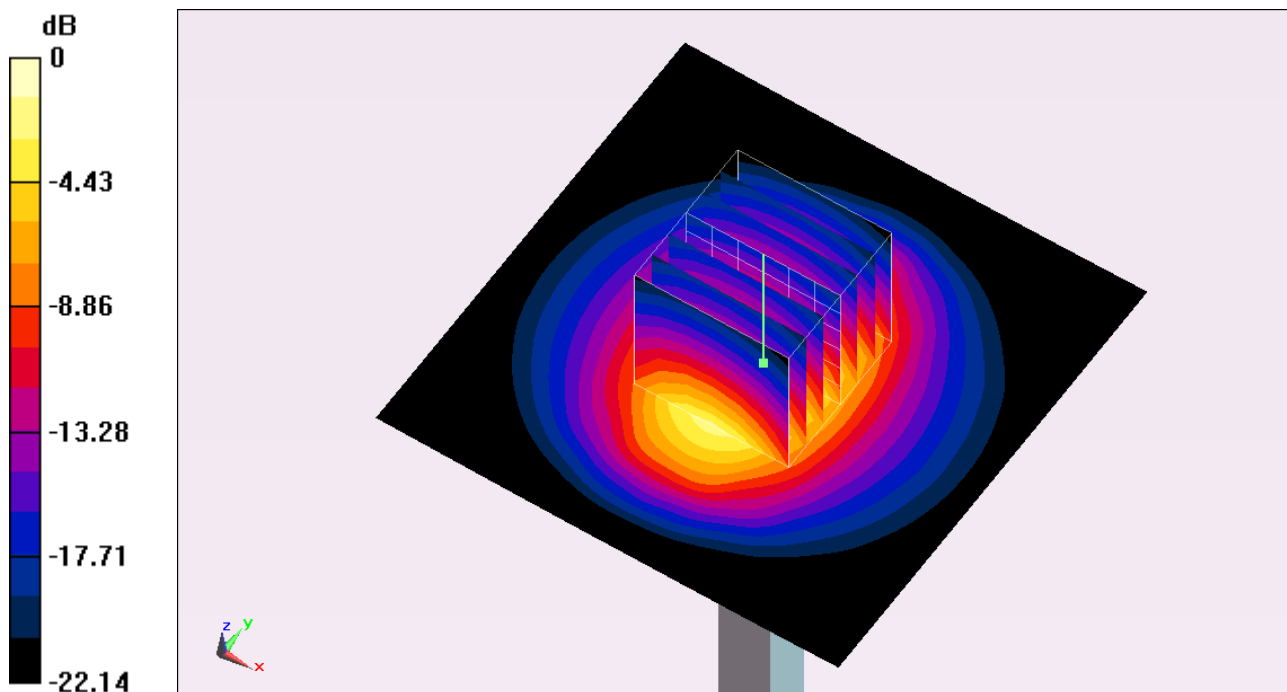
Communication System: CW; Frequency: 2450 MHz; Duty Cycle: 1:1  
Medium: MSL\_2450\_120308 Medium parameters used:  $f = 2450$  MHz;  $\sigma = 1.963$  mho/m;  $\epsilon_r = 52.895$ ;  $\rho = 1000$  kg/m<sup>3</sup>  
Ambient Temperature : 22.6 °C ; Liquid Temperature : 21.6 °C

DASY5 Configuration:

- Probe: ET3DV6 - SN1787; ConvF(3.96, 3.96, 3.96); Calibrated: 2011/5/20
- Sensor-Surface: 4mm (Mechanical Surface Detection)
- Electronics: DAE3 Sn495; Calibrated: 2011/4/28
- Phantom: ELI v5.0; Type: QDOVA002AA; Serial: TP1127
- Measurement SW: DASY52, Version 52.8 (0); SEMCAD X Version 14.6.4 (4989)

**Pin=250mW/Area Scan (91x91x1):** Measurement grid: dx=10mm, dy=10mm  
Maximum value of SAR (interpolated) = 15.502 mW/g

**Pin=250mW/Zoom Scan (7x7x7)/Cube 0:** Measurement grid: dx=5mm, dy=5mm, dz=5mm  
Reference Value = 88.494 V/m; Power Drift = -0.07 dB  
Peak SAR (extrapolated) = 34.4020  
**SAR(1 g) = 13.7 mW/g; SAR(10 g) = 6.16 mW/g**  
Maximum value of SAR (measured) = 15.012 mW/g



0 dB = 15.010mW/g = 23.53 dB mW/g

### System Check\_Body\_2450MHz\_120320

**DUT: D2450V2-SN:736**

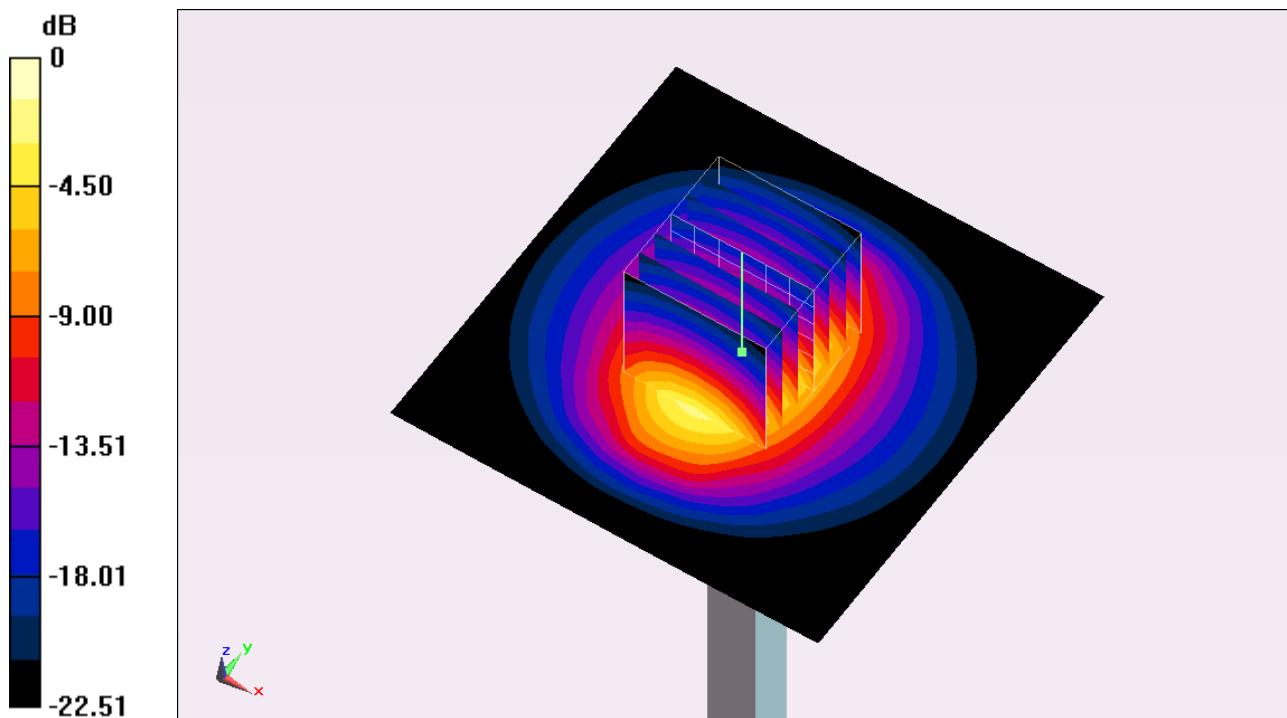
Communication System: CW; Frequency: 2450 MHz; Duty Cycle: 1:1  
Medium: MSL\_2450\_120320 Medium parameters used:  $f = 2450 \text{ MHz}$ ;  $\sigma = 1.973 \text{ mho/m}$ ;  $\epsilon_r = 52.342$ ;  $\rho = 1000 \text{ kg/m}^3$   
Ambient Temperature : 22.4 °C ; Liquid Temperature : 21.4 °C

DASY5 Configuration:

- Probe: EX3DV4 - SN3820; ConvF(7.34, 7.34, 7.34); Calibrated: 2011/12/16
- Sensor-Surface: 4mm (Mechanical Surface Detection)
- Electronics: DAE3 Sn495; Calibrated: 2011/4/28
- Phantom: ELI v5.0; Type: QDOVA002AA; Serial: TP1127
- Measurement SW: DASY52, Version 52.8 (0); SEMCAD X Version 14.6.4 (4989)

**Pin=250mW/Area Scan (91x91x1):** Measurement grid: dx=10mm, dy=10mm  
Maximum value of SAR (interpolated) = 16.389 mW/g

**Pin=250mW/Zoom Scan (7x7x7)/Cube 0:** Measurement grid: dx=5mm, dy=5mm, dz=5mm  
Reference Value = 89.557 V/m; Power Drift = 0.03 dB  
Peak SAR (extrapolated) = 29.8640  
**SAR(1 g) = 13.9 mW/g; SAR(10 g) = 6.32 mW/g**  
Maximum value of SAR (measured) = 15.989 mW/g



0 dB = 15.990mW/g = 24.08 dB mW/g