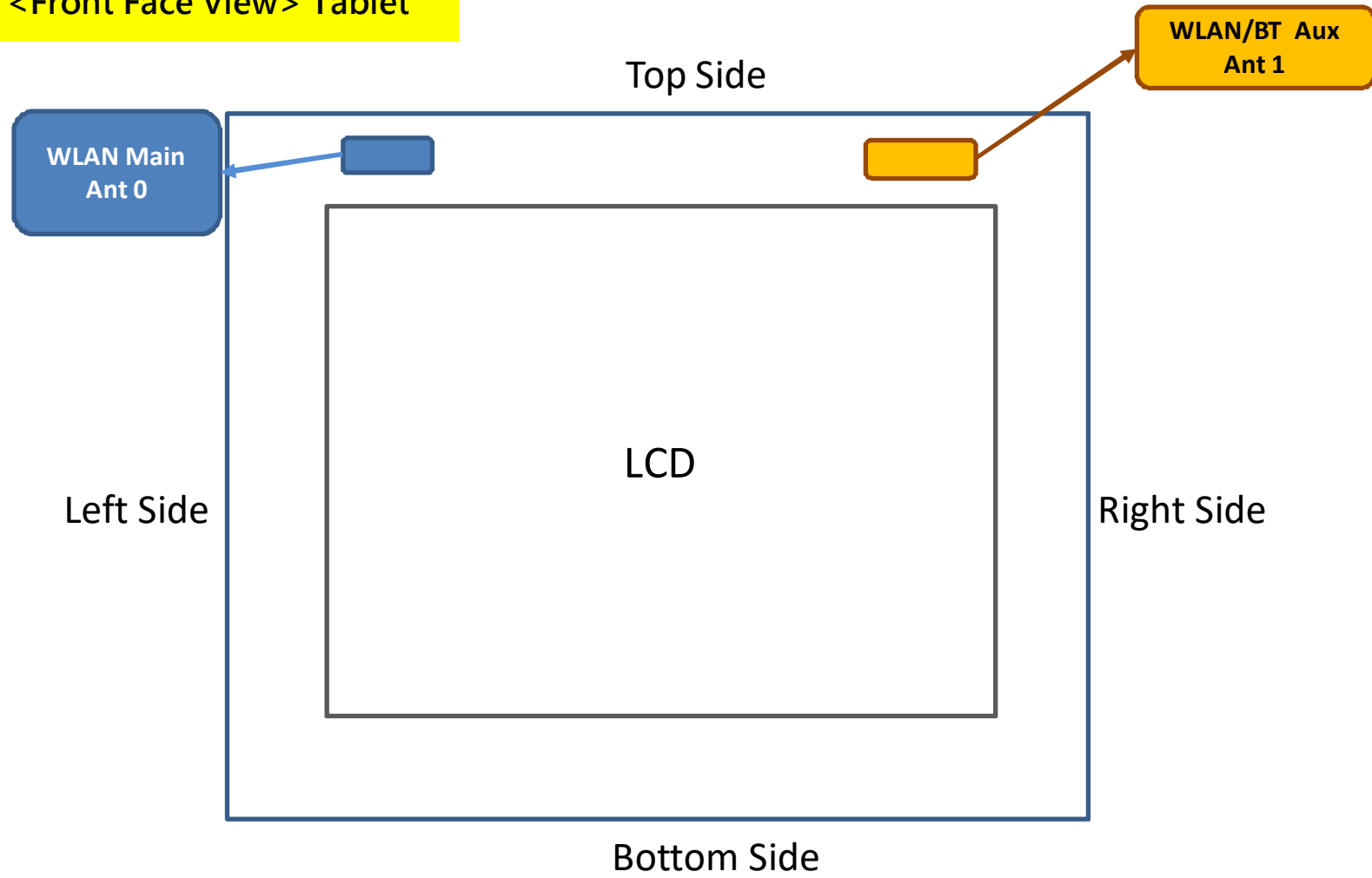


Photographs of EUT Setup and Antenna Location

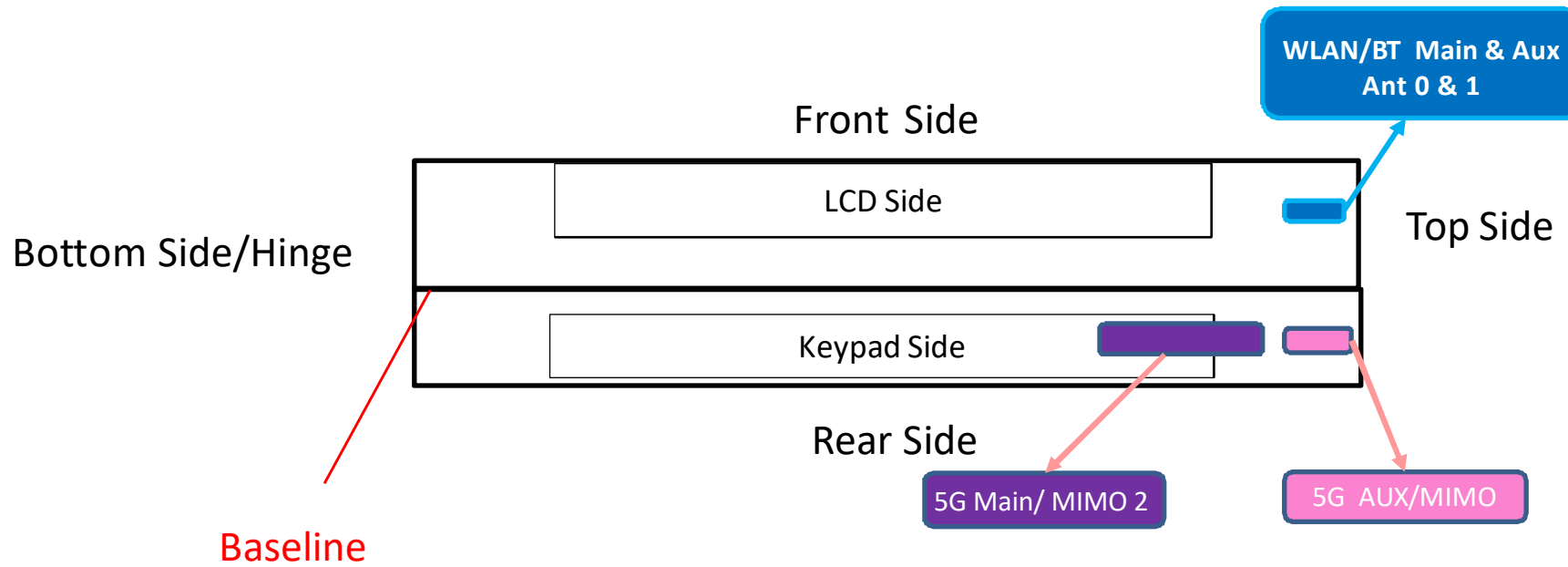
The photographs of EUT and setup for SAR testing are shown as follows.

<Front Face View> Tablet



Antenna	To Top Side	To Bottom Side	To Left Side	To Right Side
	(mm)	(mm)	(mm)	(mm)
WLAN Main	1.70	229.20	40.00	264.50
WLAN/BT AUX	1.70	229.20	264.50	40.00

<Right Side View> Convertible PC Tablet



Antenna	To Front Side	To Rear Side
	(mm)	(mm)
WLAN Main	3.60	17.20
WLAN/BT AUX	3.60	17.20
5G Main	18.95	1.80
5G MIMO	18.75	2.00
5G MIMO2	18.95	1.80
5G Aux	18.75	2.00

<Photographs of Body SAR Test Setup>



Rear Face of Tablet Mode Tested at 0 mm



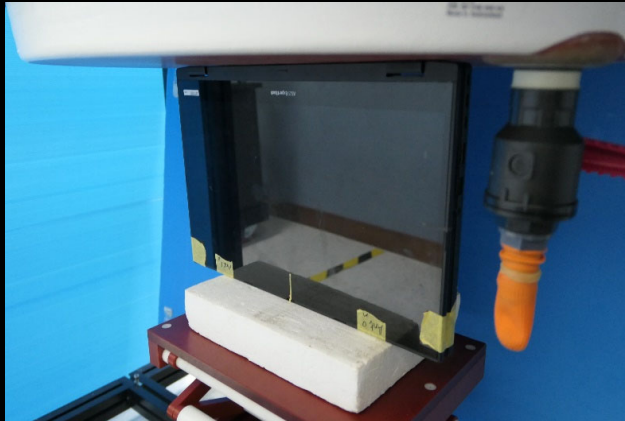
Left Side of Tablet Mode Tested at 0 mm



Right Side of Tablet Mode Tested at 0 mm



Top Side of Tablet Mode Tested at 0 mm



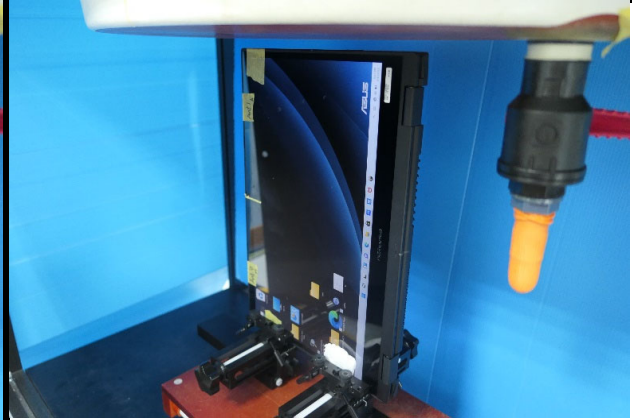
Bottom Side of Tablet Mode Tested at 0 mm



Rear Face of Tablet Mode Tested at 20 mm



Left Side of Tablet Mode Tested at 15 mm



Right Side of Tablet Mode Tested at 15 mm

<Photographs of Bottom Body SAR Test Setup>

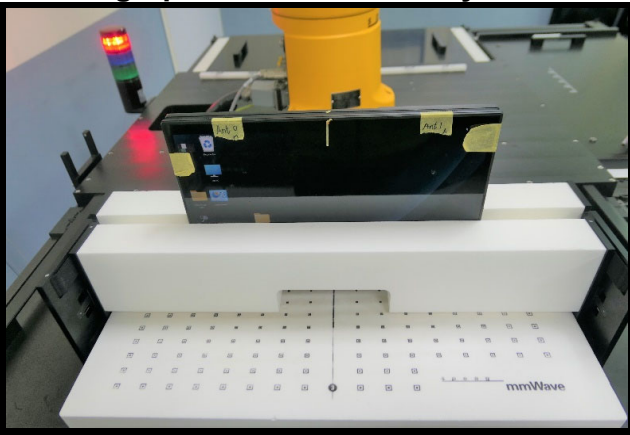


Bottom of EUT Tested at 0 mm



Lid Closed Mode of EUT Tested at 0 mm

<Photographs of Power Density Test in Tablet Mode Setup>



Top Side of EUT Tested at 0 mm