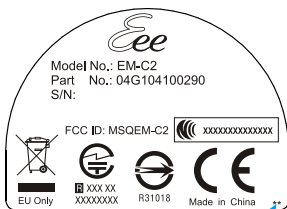
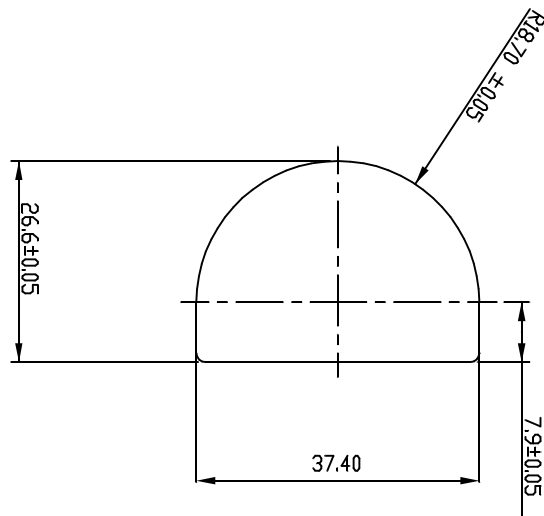


	A	B	C	D	E
1	REV LTR	DATE	REV . DIMENSION	DESIGN	APPROVE
	△B				
	△C				



VENDOR ID MARK.



**NOTES:**

- 1.MATERIAL: PET t=0.1mm (WITH GLUE)  
(UL/CSA APPROVED)
- 2.BACKGROUND COLOR: TRANSPARENT
- 3.CHARACTER COLOR: PANTONE COOL GRAY 6C
- 4.FINISHED: ADHESIVE.
- 5.LABEL VENDOR HAS TO BE APPRD. BY UL/CSA.
- 6.THIS PRODUCT/COMPONENT MUST COMPLY WITH CHICONY SPECIFICATION "ISO 361"

MG-0859		253-00859L-		ASUS	
MODEL NO.		PART NO.		REMARK	
CHICONY ELECTRONICS CO.,LTD			MAT.: NOTES		MODEL NO.: <b>MG-0859</b>
APPROVED	CHECKED	DESIGNED	SPEC: NOTES		
TOMMY		TAMMY	FINISH: NOTES		NAME: (FOR MOUSE) <b>SPEC. ID LABEL</b>
			TOL:	Q'TY	
11/03-'08		11/03-'08	SCALE: 1 : 1		UNIT: MM
			DWG NO.:		<b>0859-FCC-WH-X2</b>

\* REV. X1: ADDED NCC LICENSE;DELETE POWER RATING  
\* REV. X2: DELETE FCC LOGO