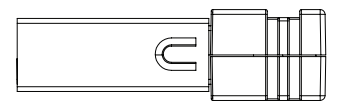
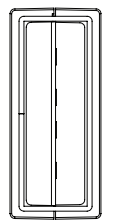
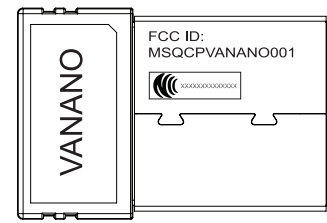
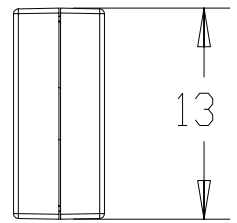
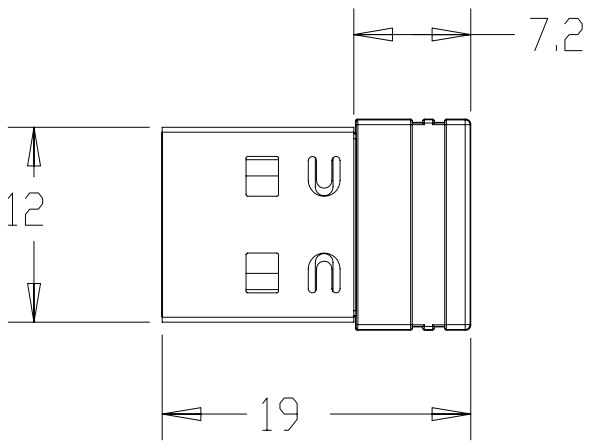
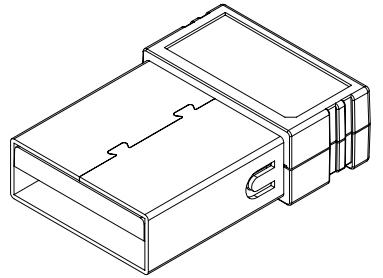
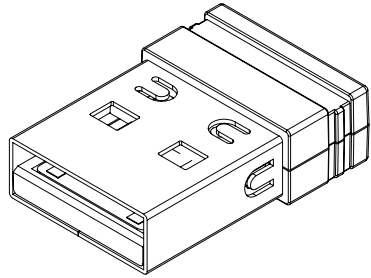
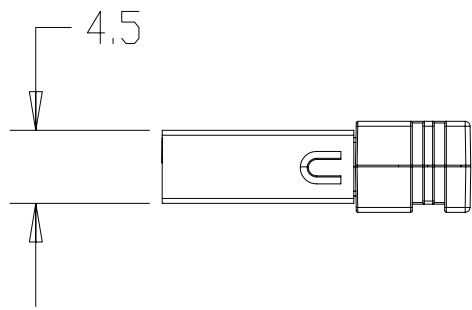


REV	DATE	UPDATE DESCRIPTION	REMARK	SIGN	APPROVE



MATERIAL (SPEC)			
FINISH			
SELECT V			
DIM TOL ±	Metal	Plastic	USR
0~6	0.10	0.10	
6~30	0.15	0.15	
30~120	0.20	0.25	
120~300	0.25	0.40	
300~600	0.40	0.60	
600~1200	0.50	0.80	
ANG. TOL	1°	0.5°	

SHEET SIZE	A4
SCALE	2.0
UNIT	mm
SHEET	1 of 1

ASUSTek COMPUTER INC.			
DONGLE			
MODEL NO.	PART NO.	REV	VER
MW			
DESIGNED	CHECKED	APPROVED	
ASUS			