

# ANTENNA INFORMATION

|   |             |
|---|-------------|
| Brand   | ASUS        |
| ODM   | Quanta      |
| Platform model name                                       | GU605 (MB2) |
| Intel platform (ex: Yes, No or NA)                        | Yes         |
| Platform type (ex: regular NB, convertible PC, AIO...etc) | Regular NB  |
| SAR minimum separation (mm)                               | 5.4mm       |

|                                       |   |  |  |
|---------------------------------------|---|--|--|
| Antenna manufacturer                  | INPAQ   |  |  |
| Address                               | No.5,Chunqiu Road, Panyang Industrial Park Huangdai Town, Xiangcheng Zone, Suzhou |  |  |
| Antenna Part number                   | Main: DQ600226500<br>(WA-P-LE-02-265)<br>(14008-05850400)                         | Aux: DQ600226600<br>(WA-P-LE-02-266)<br>(14008-05850500) |  |
| Antenna type (ex: PIFA, Dipole...etc) | PIFA  |  |  |

| Antenna Peak gain w/ cable loss (dBi)* |                           |                        |                        |                        |                        |                        |                        |                        |                        |                         |
|--|---------------------------|------------------------|------------------------|------------------------|------------------------|------------------------|------------------------|------------------------|------------------------|-------------------------|
|  | 2.4GHz<br>2400-2483.5 MHz | 5.2GHz<br>5150-5250MHz | 5.3GHz<br>5250-5350MHz | 5.6GHz<br>5470-5725MHz | 5.8GHz<br>5725-5850MHz | 5.9GHz<br>5850-5895MHz | 6.2GHz<br>5925-6425MHz | 6.5GHz<br>6425-6525MHz | 6.7GHz<br>6525-6875MHz | 7.0 GHz<br>6875-7125MHz |
| Main                                   | 2.40                      | 2.09                   | 2.25                   | 3.58                   | 3.79                   | 2.79                   | 1.76                   | 1.21                   | 3.13                   | 3.34                    |
| Aux                                    | 2.45                      | 2.41                   | 2.54                   | 3.04                   | 3.57                   | 2.78                   | 3.56                   | 2.89                   | 3.61                   | 3.28                    |

| Cable Assembly Part Number and Information |                                      |                  |                    |                |                                     |
|--|--------------------------------------|------------------|--------------------|----------------|-------------------------------------|
|  | Cable PN                             | Cable length(cm) | Cable diameter(mm) | Impedance(ohm) | Connector type                      |
| Main                                       | WIR,RF-OD1.13/50,<br>Low Loss, Black | 45               | 1.13mm             | 50Ω            | IPEX MHF-4L Plug-<br>20565-001R-13A |
| Aux  | WIR,RF-OD1.13/50,<br>Low Loss, Black | 50               | 1.13mm             | 50Ω            | IPEX MHF-4L Plug-<br>20565-001R-13A |

\* 3D Antenna Peak Gain required being test in system basis.

# Table of Contents

|  |          |
|--|----------|
| <b>Cover page</b> .....  | <b>1</b> |
| <b>1. Intel Reference Gain and Type</b> .....                                | <b>3</b> |
| <b>2. Document Revision History</b> .....                                    | <b>3</b> |
| <b>3. Test &amp; System Description</b>                                      |          |
| 3.1 Measurement Method and System.....                                       | 4        |
| 3.2 Test setup.....  | 4        |
| 3.3 Equipment list.....  | 5        |
| <b>4. Radiation characteristics of antenna loaded in Host Platform</b> ..... | <b>6</b> |
| <b>Annex A. Photographs</b>  |          |
| A.1 Setup Photo.....   | 16       |
| A.2 Test sample.....   | 17       |
| <b>Annex B. Antenna Location</b>   |          |
| B.1 Antenna Host Platform Location Information.....                          | 19       |
| B.2 Antenna dimensional information for SAR evaluation.....                  | 20       |

## 1. Intel Reference Gain and Type

| Antenna Peak gain w/ cable loss (dBi) |                         |                           |                        |                        |                        |                        |                        |                        |                        |                        |                         |
|---------------------------------------|-------------------------|---------------------------|------------------------|------------------------|------------------------|------------------------|------------------------|------------------------|------------------------|------------------------|-------------------------|
| Band/Frequency                        |                         | 2.4GHz<br>2400-2483.5 MHz | 5.2GHz<br>5150-5250MHz | 5.3GHz<br>5250-5350MHz | 5.6GHz<br>5470-5725MHz | 5.8GHz<br>5725-5850MHz | 5.9GHz<br>5850-5895MHz | 6.2GHz<br>5925-6425MHz | 6.5GHz<br>6425-6525MHz | 6.7GHz<br>6525-6875MHz | 7.0 GHz<br>6875-7125MHz |
| Design                                | EU/UK                   | 3.00                      | 5.00                   | 5.00                   | 5.00                   | 5.00                   | 5.00                   | 5.00                   | 5.00                   | 5.00                   | 5.00                    |
| PIFA                                  | For WiFi 6E and earlier | 3.24                      | 3.64                   | 3.73                   | 4.77                   | 4.97                   | 4.72                   | 4.83                   | 4.30                   | 5.37                   | 5.59                    |
|                                       | From WiFi 7             | 2.95                      | 5.11                   | 4.55                   | 5.15                   | 5.13                   | 4.45                   | 5.02                   | 5.02                   | 4.96                   | 4.96                    |
| Dipole                                | For WiFi 6E and earlier | 2.89                      | 2.92                   | 3.19                   | 4.41                   | 4.22                   | 4.22                   | 4.83                   | 4.30                   | 4.49                   | 5.34                    |
|                                       | From WiFi 7             | 2.95                      | 4.03                   | 4.11                   | 5.15                   | 5.13                   | 4.45                   | 5.02                   | 4.71                   | 4.49                   | 4.96                    |

### 3D Peak Antenna gain should be equal or greater than -2 dBi

If a host integrator plans to use a lower gain antenna of the same type, additional CBP(FCC)/EDT(EU) testing need to be performed while the module is installed in the host.

## 2. Document Revision History

| Revision # | Revision Details | Issued Date |
|------------|------------------|-------------|
| Rev. 00    | First Issue      | 2023.06.20  |

### 3. Test & System Description

#### 3.1 Measurement Method and System

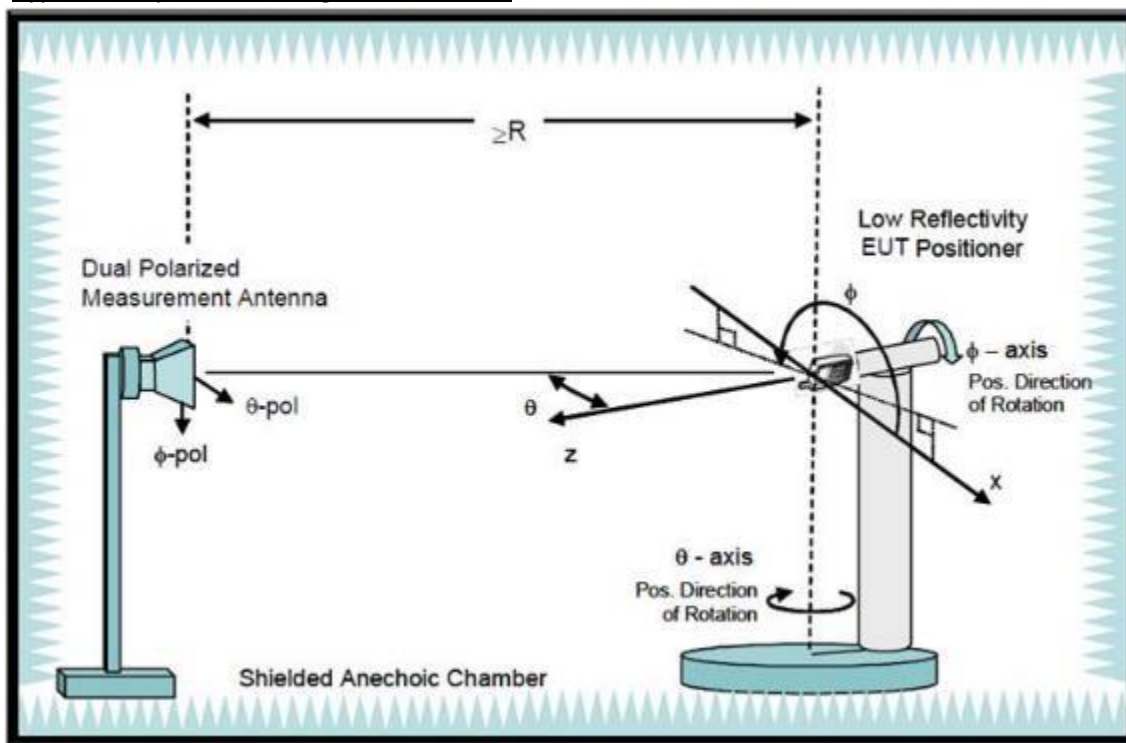
ETS-Lindgren AMS-8500 system is 3D fully anechoic chamber, it is applied to the “Conical Cut test method”, the detail description is described as below.

The Conical Cut method requires the ability of the Measurement Antenna to be physically rotated in the theta plane (overhead) of the EUT for implementations using a single Measurement Antenna, Eleven conical cuts are required to capture data at every 15 degrees from the EUT, with the top (0 degrees) and bottom (180 degrees) cuts not being measured. Typically, the EUT will remain affixed to a turntable during the entire measurement process. The Measurement Antenna will be positioned at a starting theta angle. The EUT will then be rotated around the full 360 degrees of phi rotation. The Measurement Antenna will then be positioned at the next theta angle, and the process repeated.

|         |                | $\theta$ -Axis     | $\Phi$ -Axis      |
|---------|----------------|--------------------|-------------------|
| Passive | Step size      | 15°~165° step: 15° | 0°~345° step: 15° |
|         | N / M (Points) | 12                 | 24                |

#### 3.2 Test setup

Typical Setup for ETS-Lindgren AMS-8500:



### 3.3 Equipment list

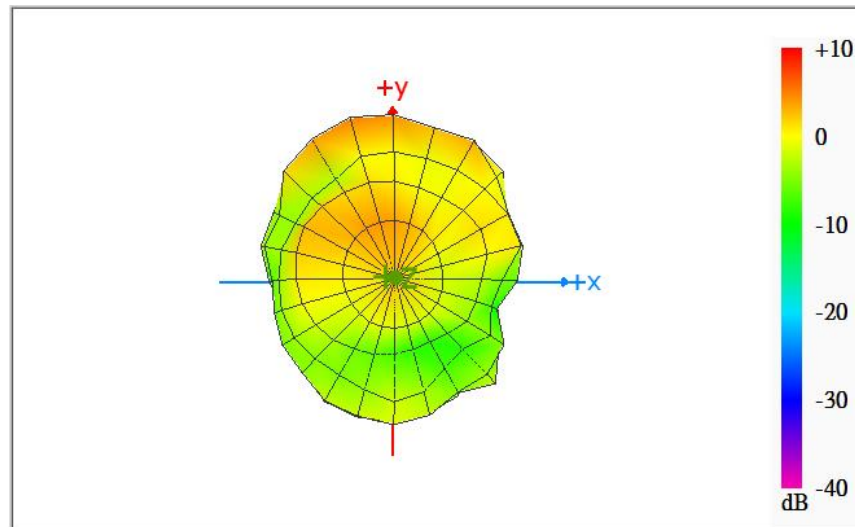
| Equipment Description                 | Manufacturer | Identification no. | Current calibration date | Next calibration date |
|---------------------------------------|--------------|--------------------|--------------------------|-----------------------|
| Network analyzer                      | Agilent      | E5071C             | 2023/01/07               | 2024/01/06            |
| Measurement software                  | ETS-Lindgren | EMQuest            | 2023/03/03               | 2024/03/03            |
| Multi axis positioning system(MAPSTM) | ETS-Lindgren | EMCO 2115          | 2023/03/03               | 2024/03/03            |
| Multi axis positioning system(MAPSTM) | ETS-Lindgren | EMCO 2110          | 2023/03/03               | 2024/03/03            |
| MAPSTM controller                     | ETS-Lindgren | EMCO 2090          | 2023/03/03               | 2024/03/03            |
| Horn antenna                          | ETS-Lindgren | 3164-10            | 2023/03/03               | 2024/03/03            |
| Cable 40cm 18 GHz                     | Jmtt         | 201EH012010400     | 2023/04/07               | 2024/04/07            |
| Cable 6m 18 GHz                       | Jmtt         | 201EH012016000     | 2023/04/07               | 2024/04/07            |
| Cable 6m 18 GHz                       | Jmtt         | 201EH012016000     | 2023/04/07               | 2024/04/07            |
| Cable 3.5m 18 GHz                     | Jmtt         | 201EH012013500     | 2023/04/07               | 2024/04/07            |
| Cable 1.5m 18 GHz                     | Jmtt         | 201EH012011500     | 2023/04/07               | 2024/04/07            |

#### 4. Radiation characteristics of antenna loaded in Host Platform

##### Main Antenna

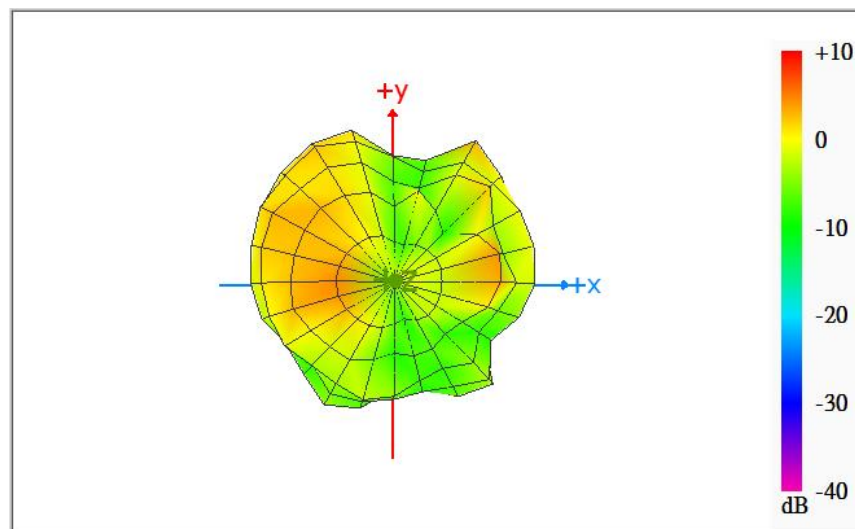
Max Antenna 3D Radiation Pattern 2400 – 2483.5 MHz

| Frequency (MHz) | Peak Gain w/ Cable Loss (dBi) |
|-----------------|-------------------------------|
| 2400-2483.5     | 2.40                          |



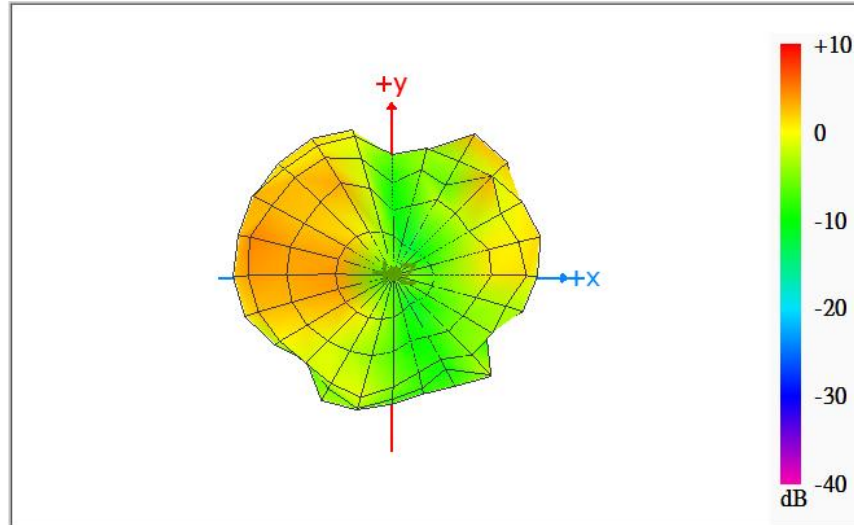
Max Antenna 3D Radiation Pattern 5150-5250 MHz

| Frequency (MHz) | Peak Gain w/ Cable Loss (dBi) |
|-----------------|-------------------------------|
| 5150-5250       | 2.09                          |



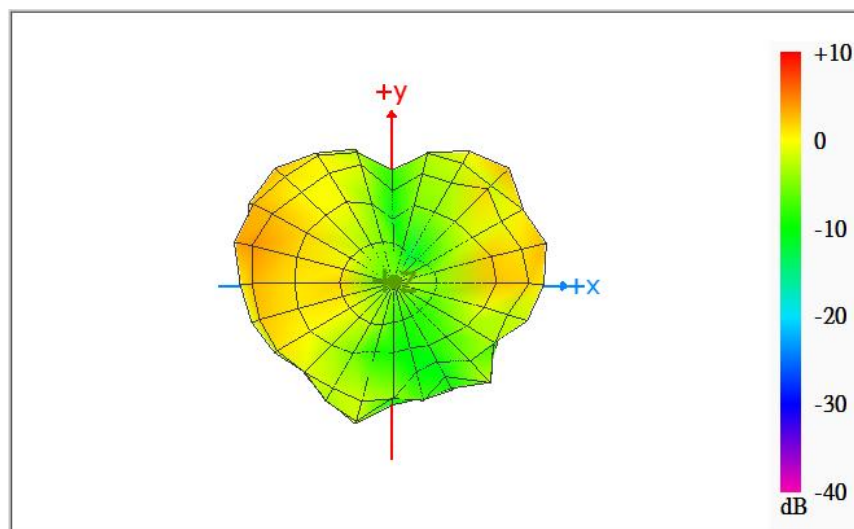
## Max Antenna 3D Radiation Pattern 5250-5350 MHz

| Frequency (MHz) | Peak Gain w/ Cable Loss (dBi) |
|-----------------|-------------------------------|
| 5250-5350       | 2.25                          |



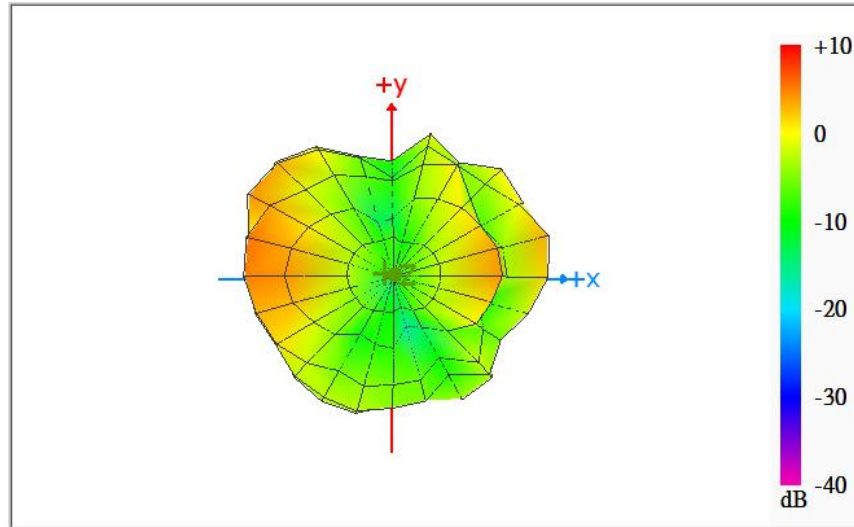
## Max Antenna 3D Radiation Pattern 5470-5725 MHz

| Frequency (MHz) | Peak Gain w/ Cable Loss (dBi) |
|-----------------|-------------------------------|
| 5470-5725       | 3.58                          |



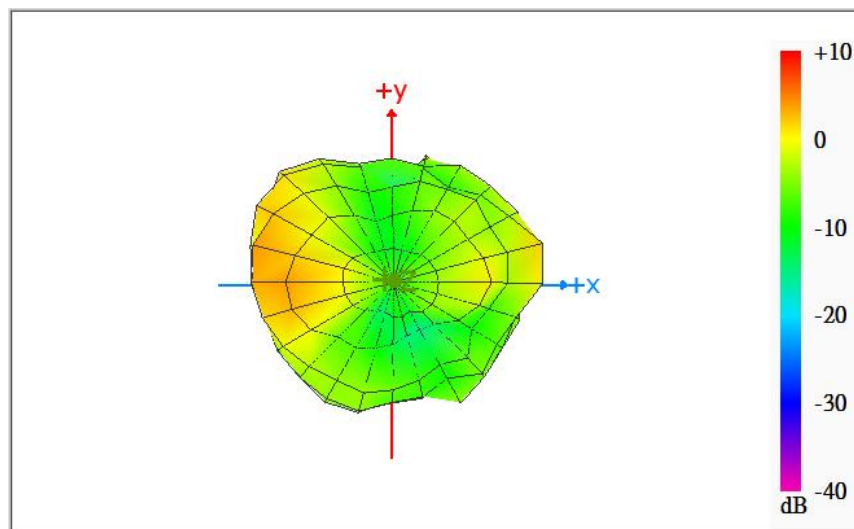
## Max Antenna 3D Radiation Pattern 5725-5850 MHz

| Frequency (MHz) | Peak Gain w/ Cable Loss (dBi) |
|-----------------|-------------------------------|
| 5725-5850       | 3.79                          |



## Max Antenna 3D Radiation Pattern 5850-5895 MHz

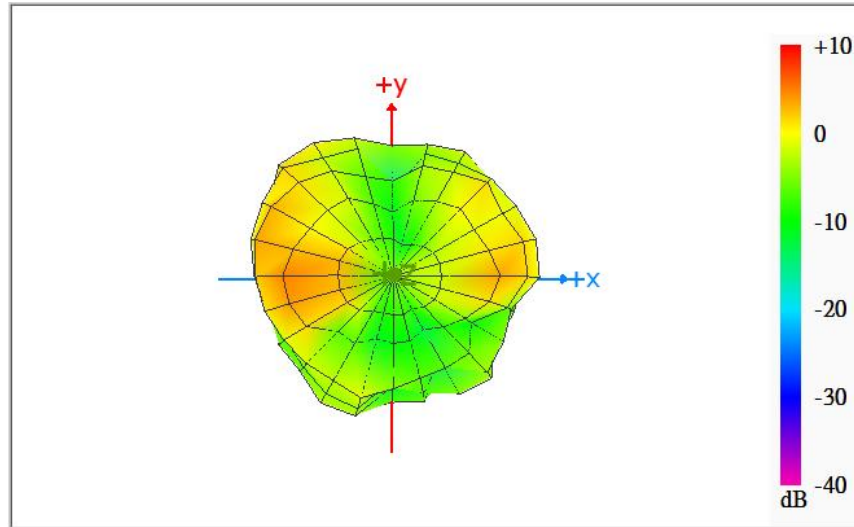
| Frequency (MHz) | Peak Gain w/ Cable Loss (dBi) |
|-----------------|-------------------------------|
| 5850-5895       | 2.79                          |





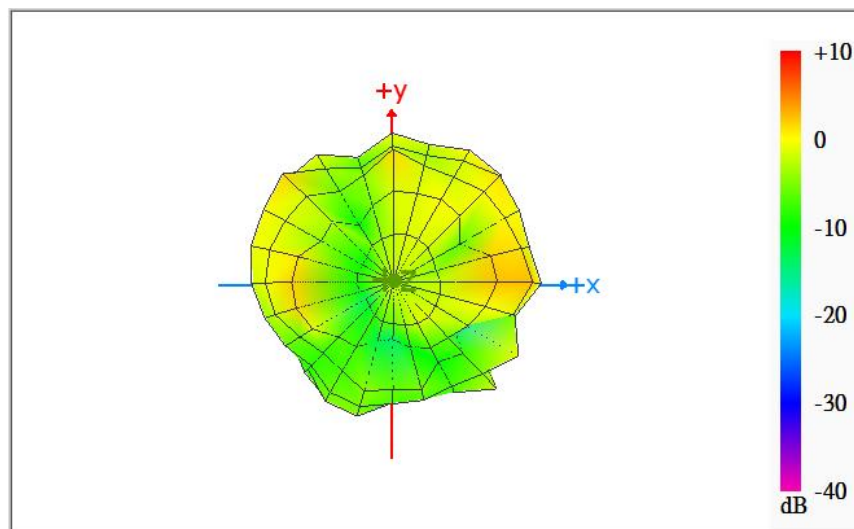
## Max Antenna 3D Radiation Pattern 5925-6425 MHz

| Frequency (MHz) | Peak Gain w/ Cable Loss (dBi) |
|-----------------|-------------------------------|
| 5925-6425       | 1.76                          |



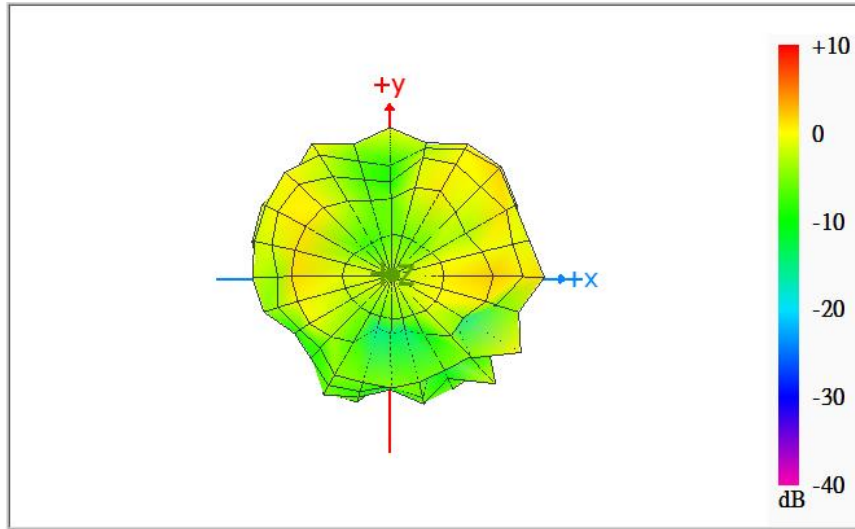
## Max Antenna 3D Radiation Pattern 6425-6525 MHz

| Frequency (MHz) | Peak Gain w/ Cable Loss (dBi) |
|-----------------|-------------------------------|
| 6425-6525       | 1.21                          |



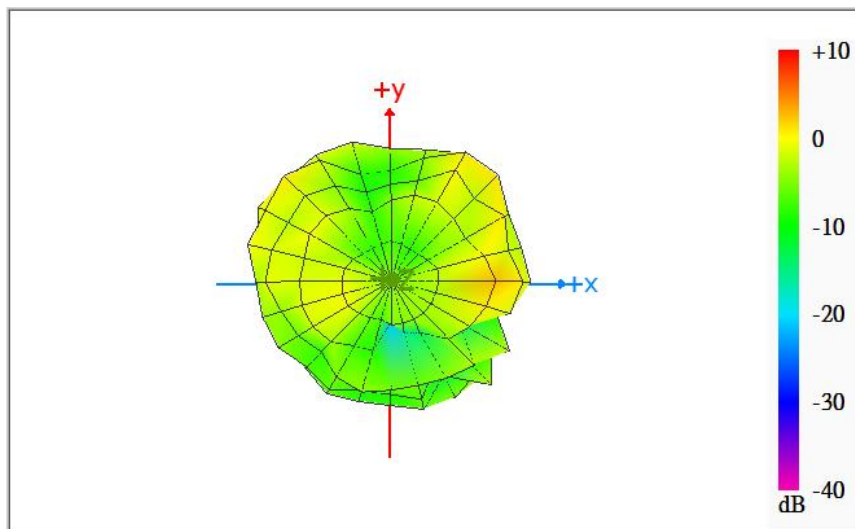
Max Antenna 3D Radiation Pattern 6525-6875 MHz

| Frequency (MHz) | Peak Gain w/ Cable Loss (dBi) |
|-----------------|-------------------------------|
| 6525-6875       | 3.13                          |



Max Antenna 3D Radiation Pattern 6875-7125 MHz

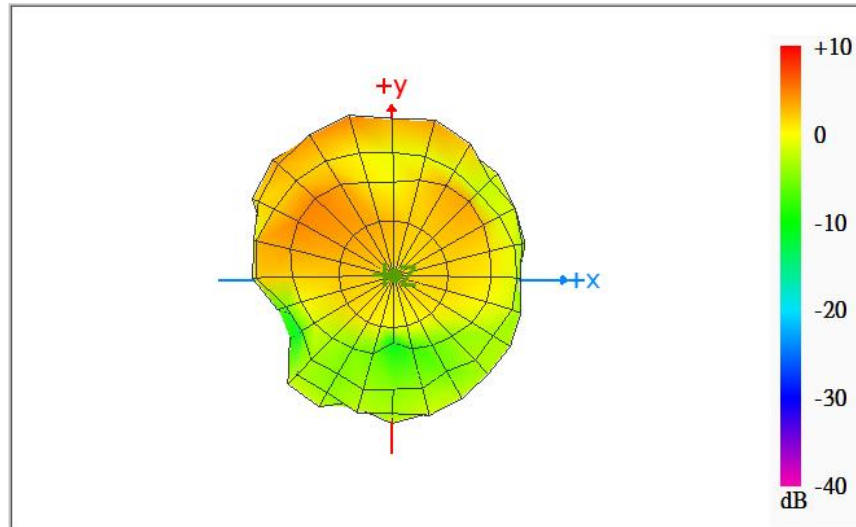
| Frequency (MHz) | Peak Gain w/ Cable Loss (dBi) |
|-----------------|-------------------------------|
| 6875-7125       | 3.34                          |



### Auxiliary Antenna

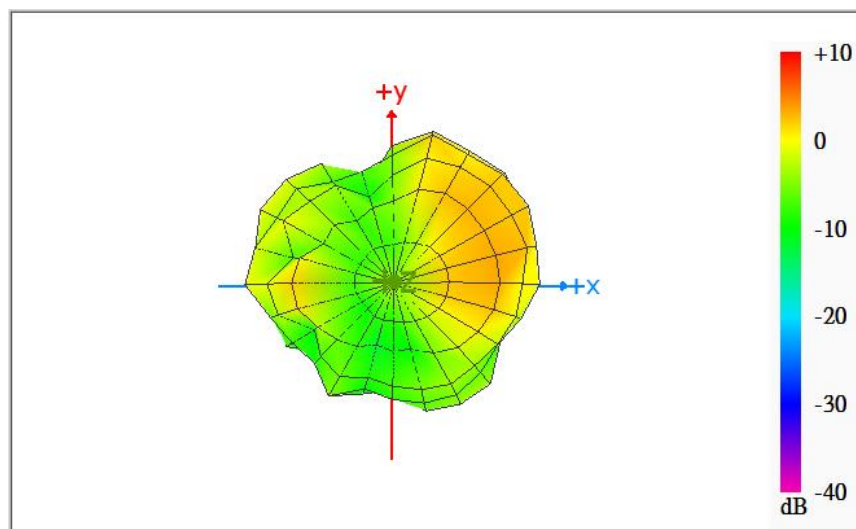
#### Max Antenna 3D Radiation Pattern 2400 – 2483.5 MHz

| Frequency (MHz) | Peak Gain w/ Cable Loss (dBi) |
|-----------------|-------------------------------|
| 2400-2483.5     | 2.45                          |



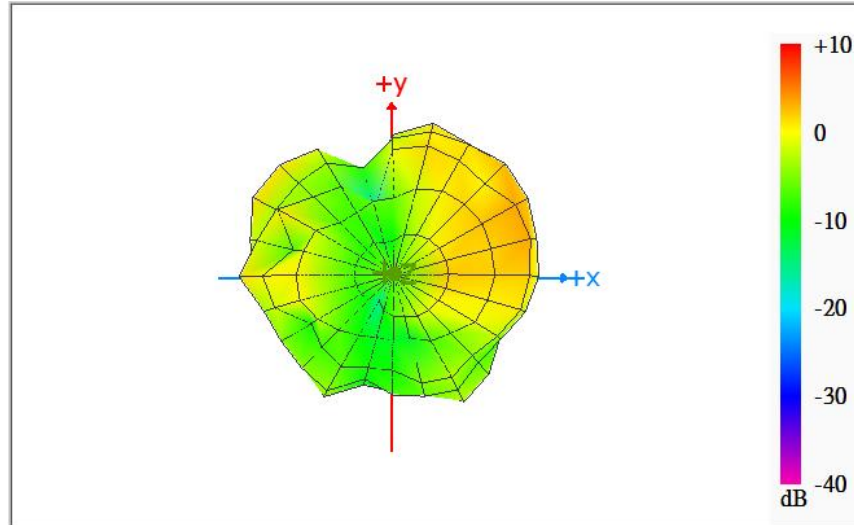
#### Max Antenna 3D Radiation Pattern 5150-5250 MHz

| Frequency (MHz) | Peak Gain w/ Cable Loss (dBi) |
|-----------------|-------------------------------|
| 5150-5250       | 2.41                          |



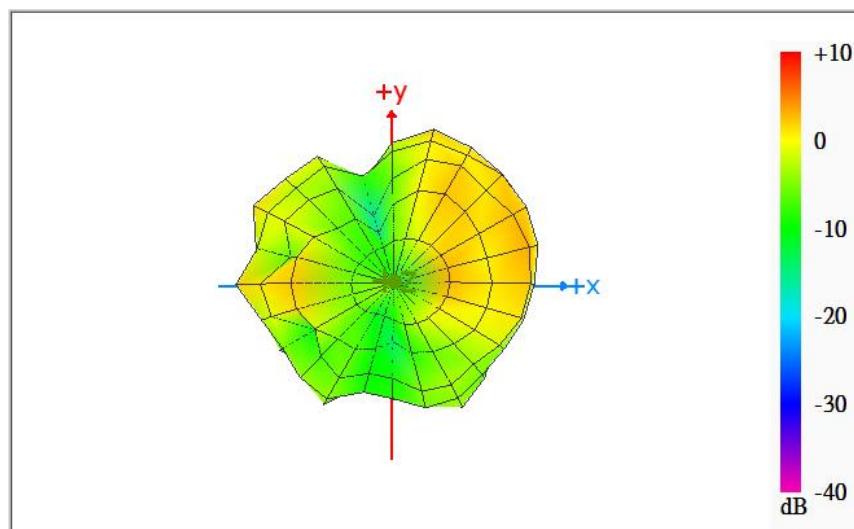
## Max Antenna 3D Radiation Pattern 5250-5350 MHz

| Frequency (MHz) | Peak Gain w/ Cable Loss (dBi) |
|-----------------|-------------------------------|
| 5250-5350       | 2.54                          |



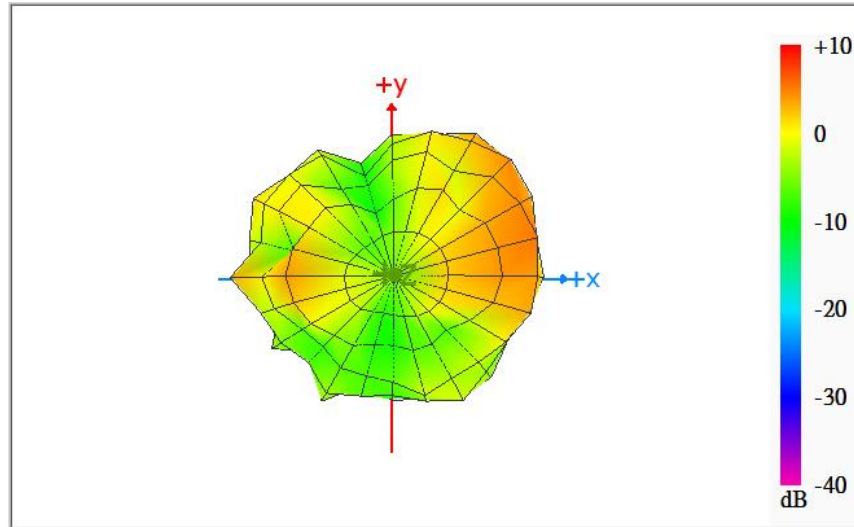
## Max Antenna 3D Radiation Pattern 5470-5725 MHz

| Frequency (MHz) | Peak Gain w/ Cable Loss (dBi) |
|-----------------|-------------------------------|
| 5470-5725       | 3.04                          |



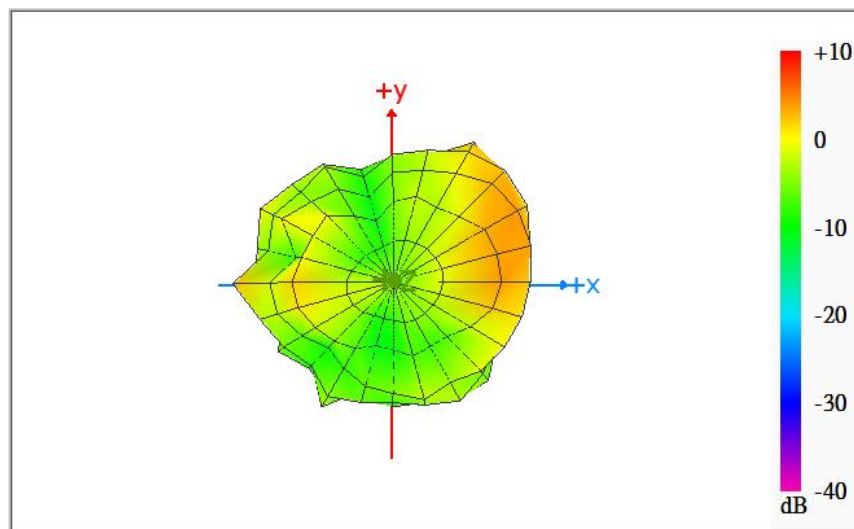
## Max Antenna 3D Radiation Pattern 5725-5850 MHz

| Frequency (MHz) | Peak Gain w/ Cable Loss (dBi) |
|-----------------|-------------------------------|
| 5725-5850       | 3.57                          |



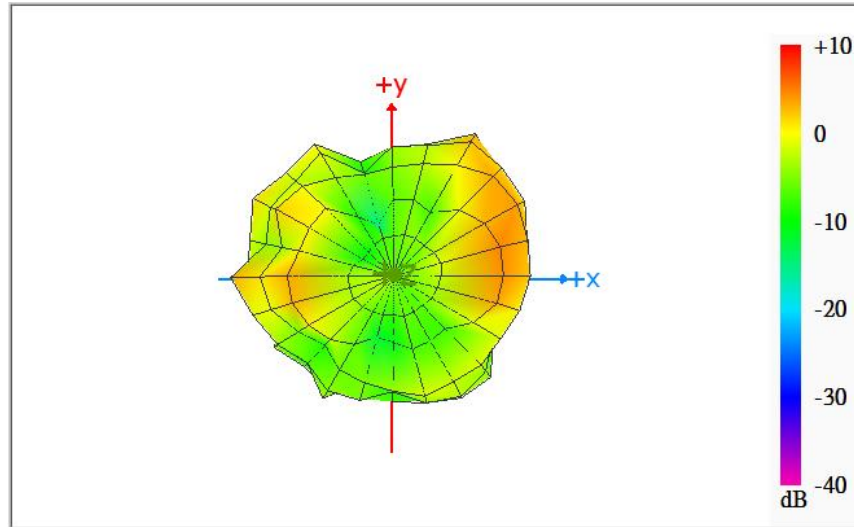
## Max Antenna 3D Radiation Pattern 5850-5895 MHz

| Frequency (MHz) | Peak Gain w/ Cable Loss (dBi) |
|-----------------|-------------------------------|
| 5850-5895       | 2.78                          |



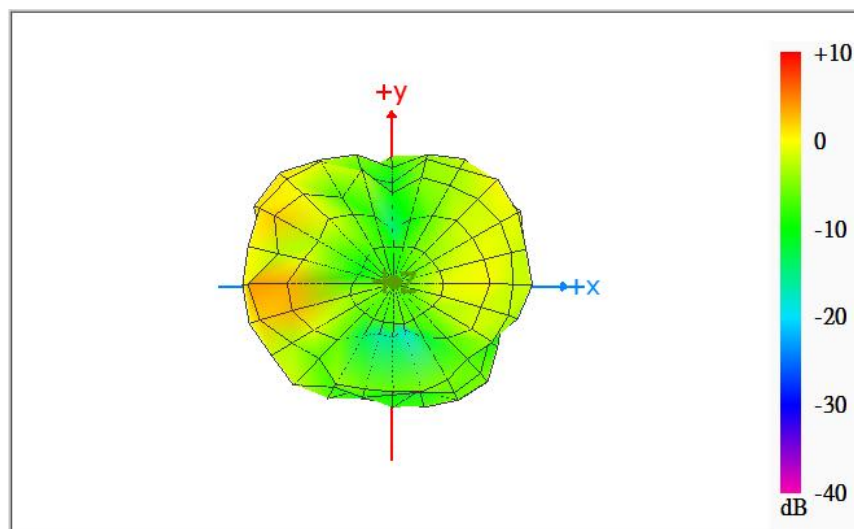
## Max Antenna 3D Radiation Pattern 5925-6425 MHz

| Frequency (MHz) | Peak Gain w/ Cable Loss (dBi) |
|-----------------|-------------------------------|
| 5925-6425       | 3.56                          |



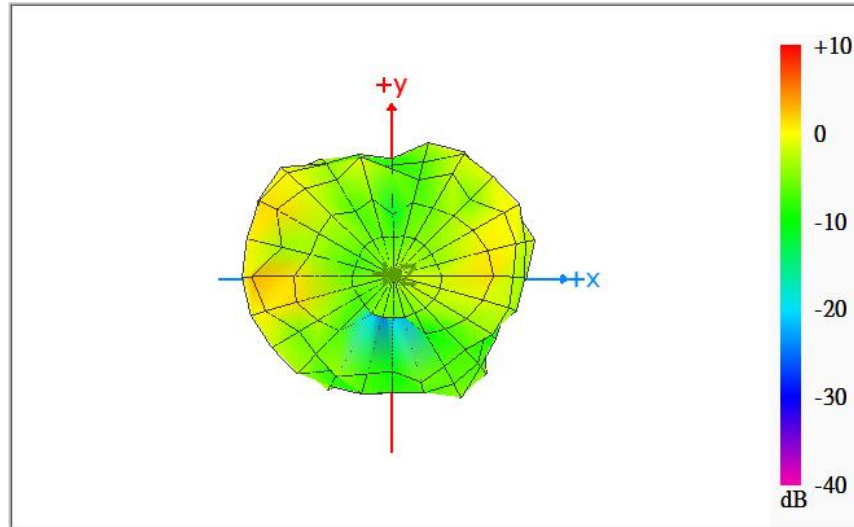
## Max Antenna 3D Radiation Pattern 6425-6525 MHz

| Frequency (MHz) | Peak Gain w/ Cable Loss (dBi) |
|-----------------|-------------------------------|
| 6425-6525       | 2.89                          |



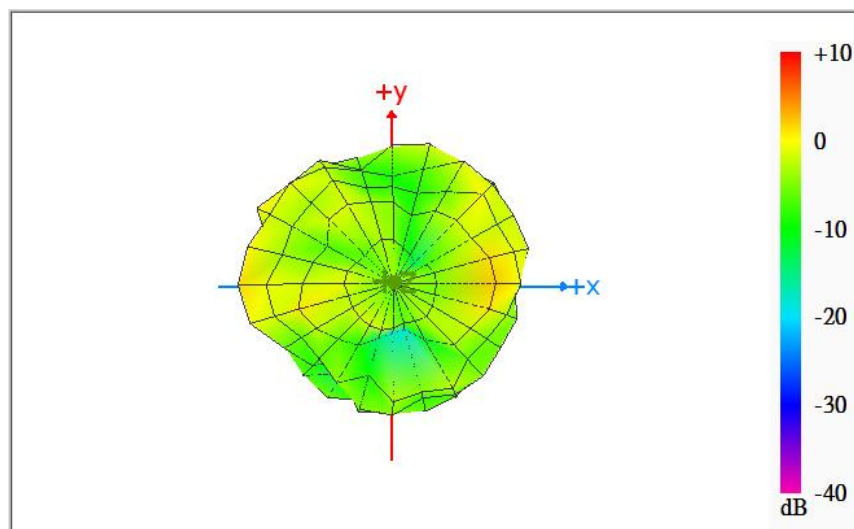
## Max Antenna 3D Radiation Pattern 6525-6875 MHz

| Frequency (MHz) | Peak Gain w/ Cable Loss (dBi) |
|-----------------|-------------------------------|
| 6525-6875       | 3.61                          |



## Max Antenna 3D Radiation Pattern 6875-7125 MHz

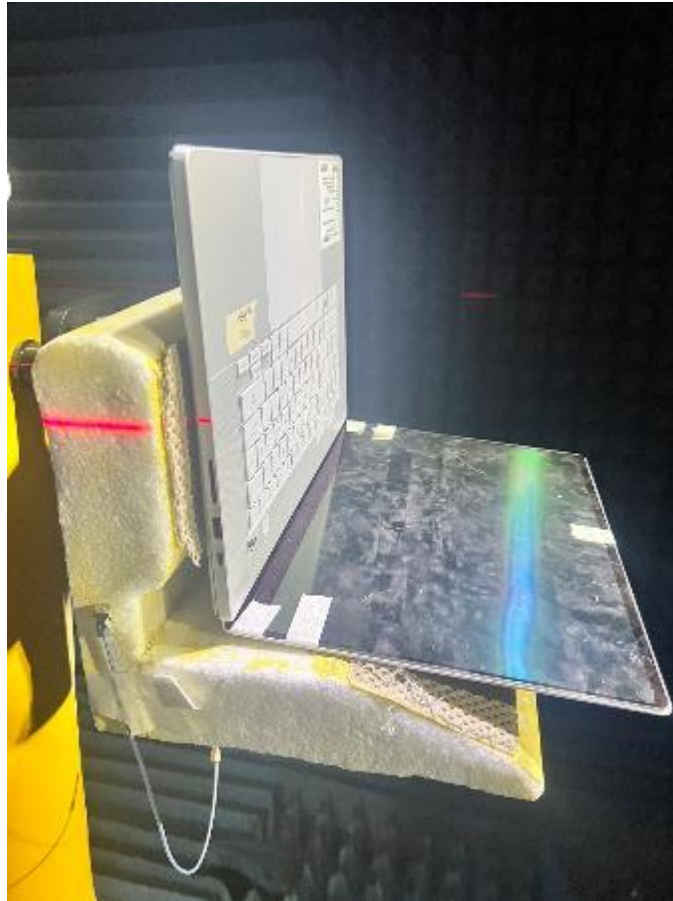
| Frequency (MHz) | Peak Gain w/ Cable Loss (dBi) |
|-----------------|-------------------------------|
| 6875-7125       | 3.28                          |



# Annex A. Photographs

---

## A.1 Setup Photo



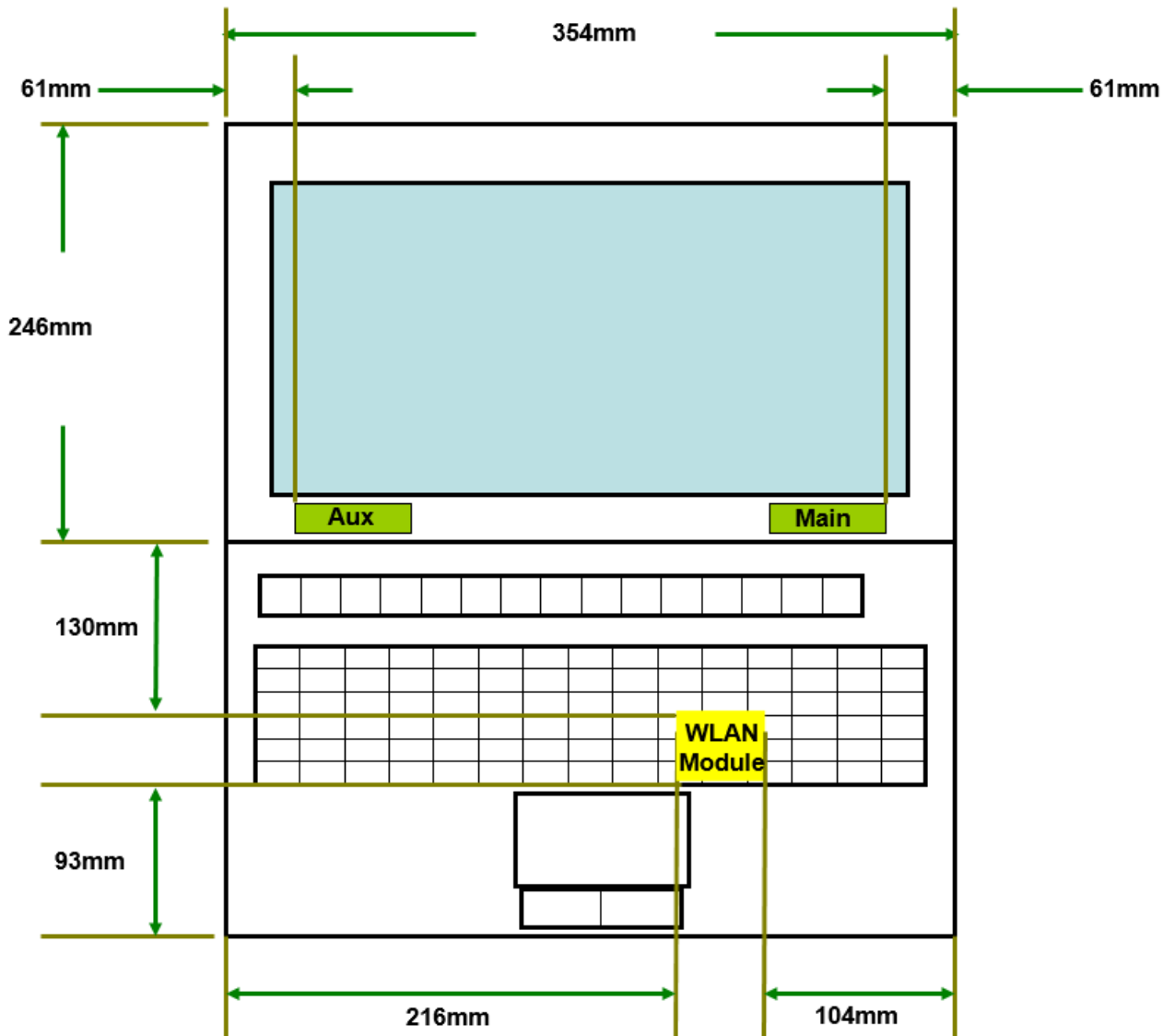


# Annex B. Antenna Location

## B.1 Antenna Host Platform Location Information

Include a dimensioned photo(s) or dimensioned drawing(s) of Main and Aux antenna placements (measurements are not required for receive-only antenna).

Any antenna that transmits must show dimensions to bottom of laptop. Provide a description of the materials that are used for supporting or surrounding transmit antennas; for example, non-conductive plastics vs. conductive coated plastic or metallic materials.



## B.2 Antenna dimensional information for SAR evaluation

Include a dimensioned photo(s) or dimensioned drawing(s) showing the distance (mm) between the transmit antennas and the user. For notebook/laptop hosts show lapheld position (example below). For tablet hosts show all orientations including lapheld, primary & secondary portrait, primary & secondary landscape positions. Include a description of any proximity sensors or power throttling implementations that limit or exclude use of any host orientation.

SAR minimum separation: 5.4mm

