

Plots of System Verification

Appendix A. Plots of System Verification

The plots for system verification are shown as follows.

Plots of System Verification

Test Laboratory: Bureau Veritas ADT SAR/HAC Testing Lab

Date: 2022/11/07

S01 System Check_H2450_221107

DUT: Dipole 2450 MHz; Type: D2450V2; SN: 737

Communication System: UID 0, CW; Frequency: 2450 MHz; Duty Cycle: 1:1

Medium: H19T27N1_1107 Medium parameters used (interpolated): $f = 2450$ MHz; $\sigma = 1.869$ S/m; $\epsilon_r = 37.935$; $\rho = 1000$ kg/m³

Ambient Temperature : 23.6 °C ; Liquid Temperature : 23.2 °C

DASY5 Configuration:

- Probe: EX3DV4 - SN7472; ConvF(7.89, 7.89, 7.89) @ 2450 MHz; Calibrated: 2022/05/27
- Sensor-Surface: 1.4mm (Mechanical Surface Detection)
- Electronics: DAE3 Sn579; Calibrated: 2022/06/01
- Phantom: ELI Phantom_2105; Type: QD OVA 004 Ax;
- Measurement SW: DASY52, Version 52.10 (4); SEMCAD X Version 14.6.14 (7501)

Pin=50mW/Area Scan (81x81x1): Interpolated grid: dx=1.200 mm, dy=1.200 mm

Maximum value of SAR (interpolated) = 4.30 W/kg

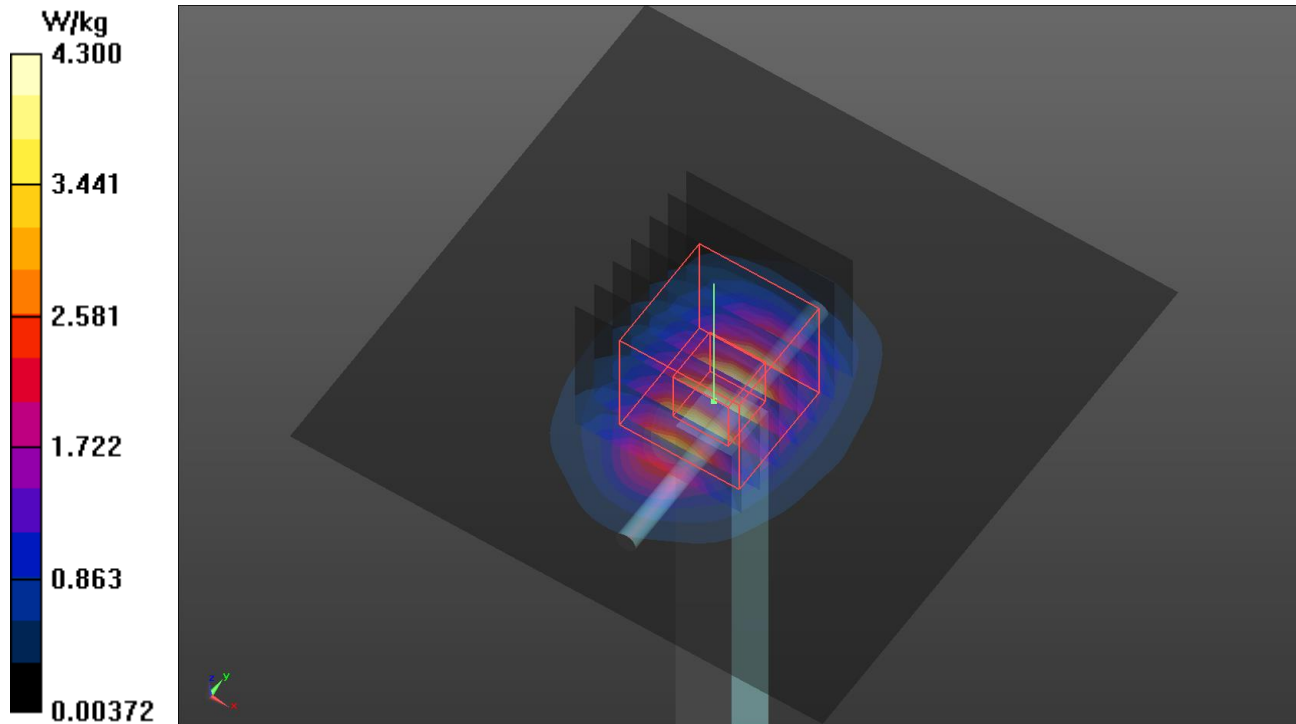
Pin=50mW/Zoom Scan (7x7x7)/Cube 0: Measurement grid: dx=5mm, dy=5mm, dz=5mm

Reference Value = 45.74 V/m; Power Drift = -0.13 dB

Peak SAR (extrapolated) = 5.23 W/kg

SAR(1 g) = 2.5 W/kg; SAR(10 g) = 1.2 W/kg (SAR corrected for target medium)

Maximum value of SAR (measured) = 4.25 W/kg



Plots of System Verification

Test Laboratory: Bureau Veritas ADT SAR/HAC Testing Lab

Date: 2022/11/07

S02 System Check_H5250_221107

DUT: Dipole 5 GHz; Type: D5GHzV2; SN: 1019

Communication System: UID 0, CW; Frequency: 5250 MHz; Duty Cycle: 1:1

Medium: H34T60N1_1107 Medium parameters used: $f = 5250$ MHz; $\sigma = 4.704$ S/m; $\epsilon_r = 36.205$; $\rho = 1000$ kg/m³

Ambient Temperature : 23.6 °C ; Liquid Temperature : 23.2 °C

DASY5 Configuration:

- Probe: EX3DV4 - SN7472; ConvF(5.89, 5.89, 5.89) @ 5250 MHz; Calibrated: 2022/05/27
- Sensor-Surface: 1.4mm (Mechanical Surface Detection)
- Electronics: DAE3 Sn579; Calibrated: 2022/06/01
- Phantom: ELI Phantom_2105; Type: QD OVA 004 Ax;
- Measurement SW: DASY52, Version 52.10 (4); SEMCAD X Version 14.6.14 (7501)

Pin=50mW/Area Scan (91x91x1): Interpolated grid: dx=1.000 mm, dy=1.000 mm

Maximum value of SAR (interpolated) = 8.63 W/kg

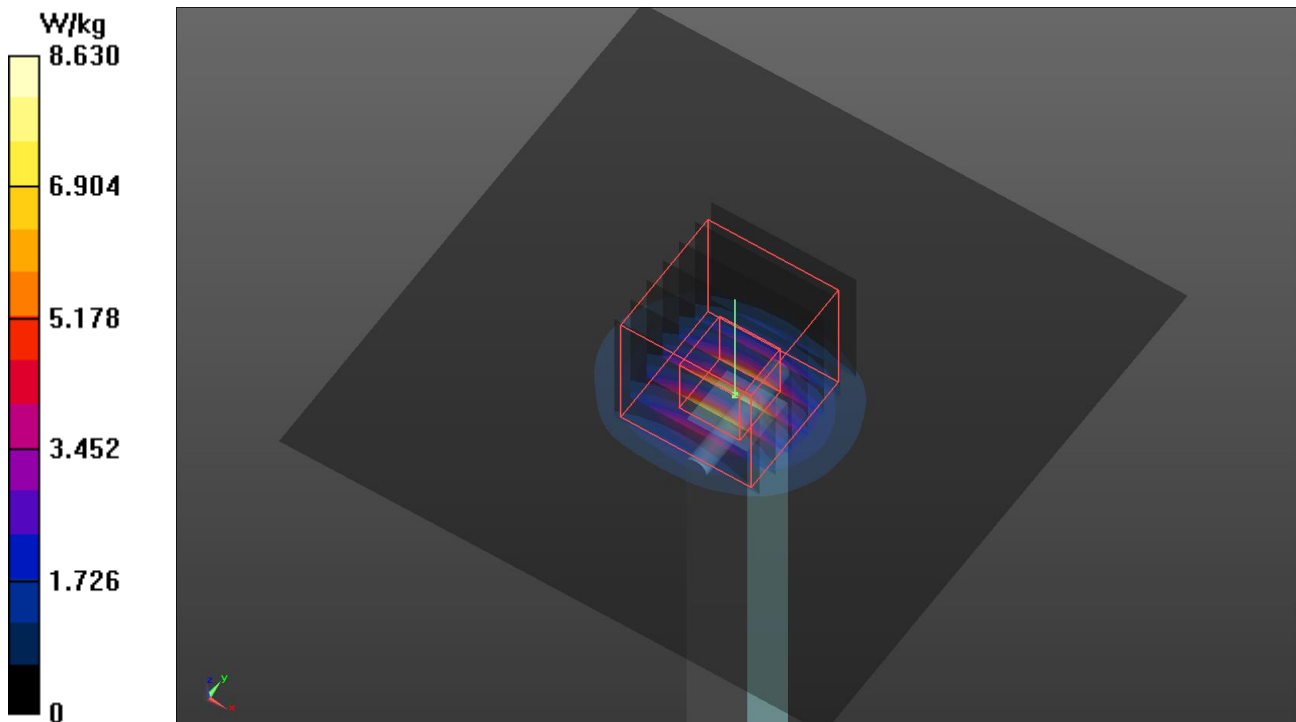
Pin=50mW/Zoom Scan (7x7x7)/Cube 0: Measurement grid: dx=4mm, dy=4mm, dz=1.4mm

Reference Value = 43.42 V/m; Power Drift = -0.10 dB

Peak SAR (extrapolated) = 14.5 W/kg

SAR(1 g) = 3.73 W/kg; SAR(10 g) = 1.08 W/kg (SAR corrected for target medium)

Maximum value of SAR (measured) = 9.19 W/kg



Plots of System Verification

Test Laboratory: Bureau Veritas ADT SAR/HAC Testing Lab

Date: 2022/11/07

S03 System Check_H5600_221107

DUT: Dipole 5 GHz; Type: D5GHzV2; SN: 1019

Communication System: UID 0, CW; Frequency: 5600 MHz; Duty Cycle: 1:1

Medium: H34T60N1_1107 Medium parameters used: $f = 5600$ MHz; $\sigma = 4.997$ S/m; $\epsilon_r = 35.803$; $\rho = 1000$ kg/m³

Ambient Temperature : 23.6 °C ; Liquid Temperature : 23.2 °C

DASY5 Configuration:

- Probe: EX3DV4 - SN7472; ConvF(5.04, 5.04, 5.04) @ 5600 MHz; Calibrated: 2022/05/27
- Sensor-Surface: 1.4mm (Mechanical Surface Detection)
- Electronics: DAE3 Sn579; Calibrated: 2022/06/01
- Phantom: ELI Phantom_2105; Type: QD OVA 004 Ax;
- Measurement SW: DASY52, Version 52.10 (4); SEMCAD X Version 14.6.14 (7501)

Pin=50mW/Area Scan (91x91x1): Interpolated grid: dx=1.000 mm, dy=1.000 mm

Maximum value of SAR (interpolated) = 9.75 W/kg

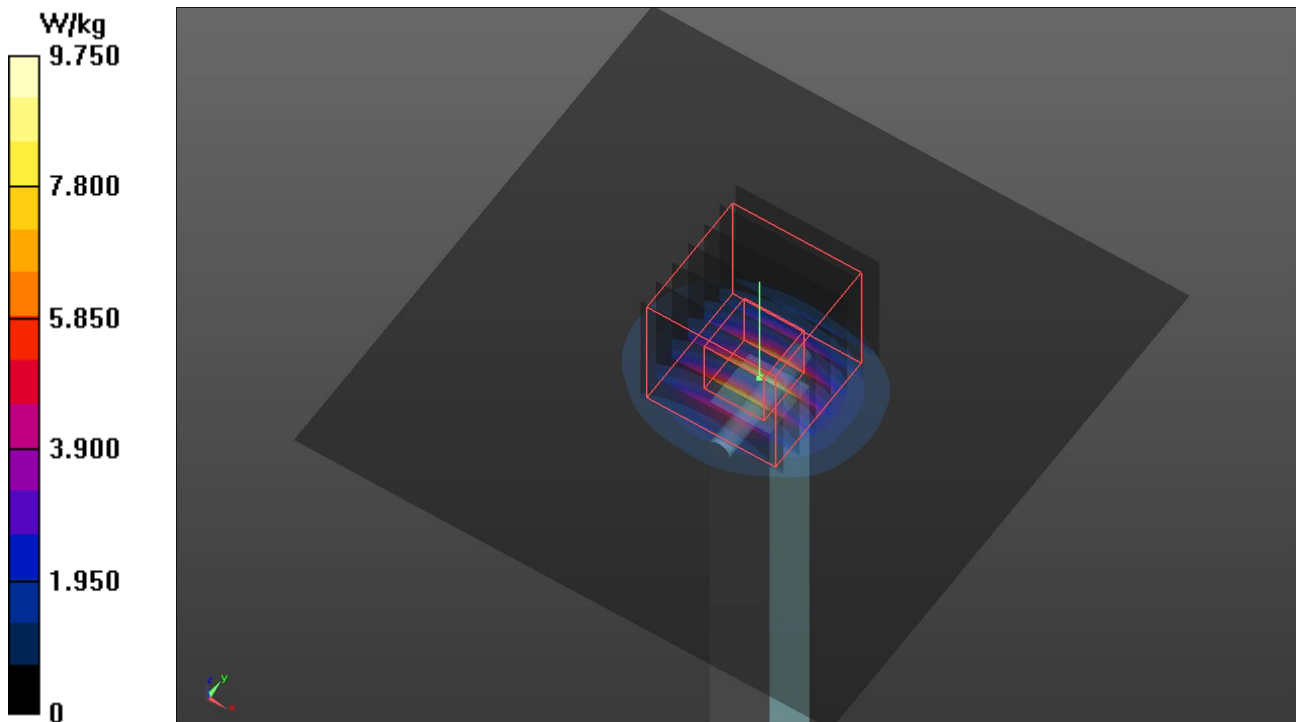
Pin=50mW/Zoom Scan (7x7x7)/Cube 0: Measurement grid: dx=4mm, dy=4mm, dz=1.4mm

Reference Value = 48.11 V/m; Power Drift = -0.14 dB

Peak SAR (extrapolated) = 16.9 W/kg

SAR(1 g) = 4.02 W/kg; SAR(10 g) = 1.16 W/kg (SAR corrected for target medium)

Maximum value of SAR (measured) = 10.3 W/kg



Plots of System Verification

Test Laboratory: Bureau Veritas ADT SAR/HAC Testing Lab

Date: 2022/11/07

S04 System Check_H5750_221107

DUT: Dipole 5 GHz; Type: D5GHzV2; SN: 1019

Communication System: UID 0, CW; Frequency: 5750 MHz; Duty Cycle: 1:1

Medium: H34T60N1_1107 Medium parameters used: $f = 5750$ MHz; $\sigma = 5.255$ S/m; $\epsilon_r = 35.49$; $\rho = 1000$ kg/m³

Ambient Temperature : 23.6 °C ; Liquid Temperature : 23.2 °C

DASY5 Configuration:

- Probe: EX3DV4 - SN7472; ConvF(5.28, 5.28, 5.28) @ 5750 MHz; Calibrated: 2022/05/27
- Sensor-Surface: 1.4mm (Mechanical Surface Detection)
- Electronics: DAE3 Sn579; Calibrated: 2022/06/01
- Phantom: ELI Phantom_2105; Type: QD OVA 004 Ax;
- Measurement SW: DASY52, Version 52.10 (4); SEMCAD X Version 14.6.14 (7501)

Pin=50mW/Area Scan (91x91x1): Interpolated grid: dx=1.000 mm, dy=1.000 mm

Maximum value of SAR (interpolated) = 9.64 W/kg

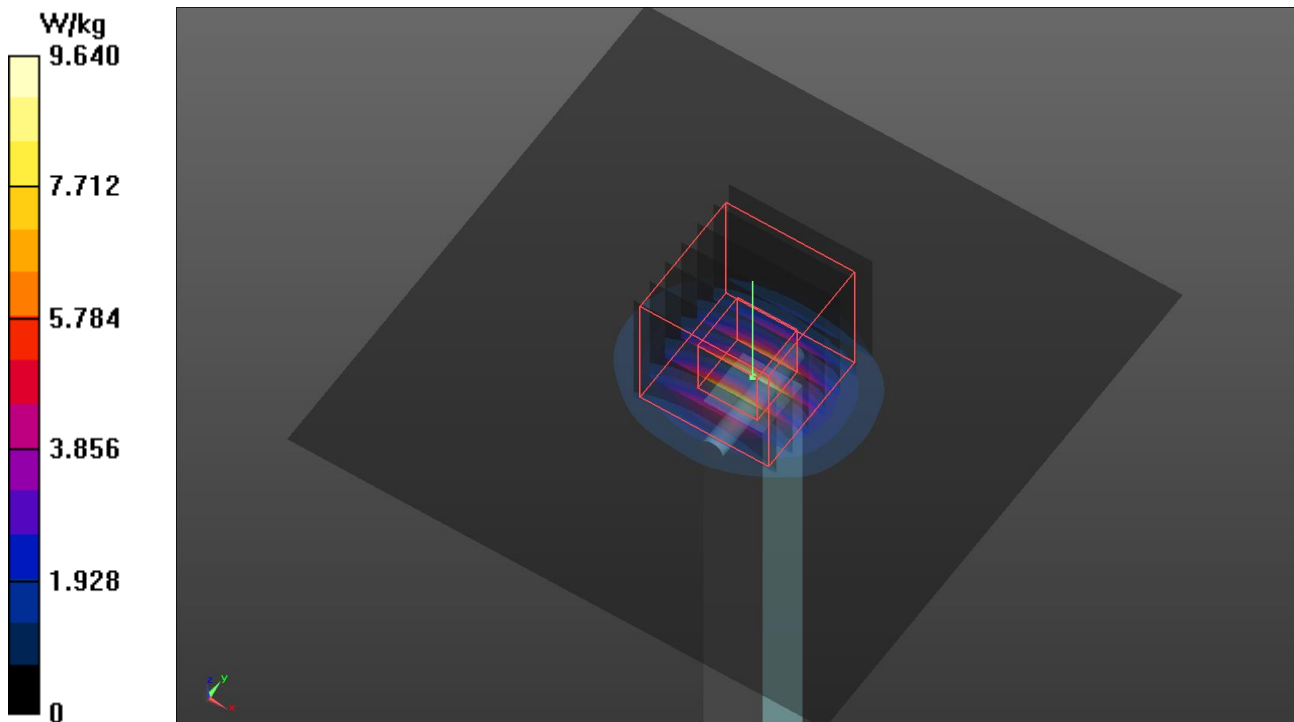
Pin=50mW/Zoom Scan (7x7x7)/Cube 0: Measurement grid: dx=4mm, dy=4mm, dz=1.4mm

Reference Value = 46.71 V/m; Power Drift = -0.15 dB

Peak SAR (extrapolated) = 16.7 W/kg

SAR(1 g) = 3.96 W/kg; SAR(10 g) = 1.14 W/kg (SAR corrected for target medium)

Maximum value of SAR (measured) = 10.1 W/kg



Plots of System Verification

Test Laboratory: Bureau Veritas ADT SAR/HAC Testing Lab

Date: 2022/11/28

S05 System Check_H2450_221128

DUT: Dipole 2450 MHz; Type: D2450V2; SN: 737

Communication System: UID 0, CW; Frequency: 2450 MHz; Duty Cycle: 1:1

Medium: H06T27N6_1128 Medium parameters used: $f = 2450$ MHz; $\sigma = 1.852$ S/m; $\epsilon_r = 39.344$; $\rho = 1000$ kg/m³

Ambient Temperature : 22.1 °C ; Liquid Temperature : 21.8 °C

DASY5 Configuration:

- Probe: EX3DV4 - SN7554; ConvF(7.5, 7.5, 7.5) @ 2450 MHz; Calibrated: 2022/7/28
- Sensor-Surface: 1.4mm (Mechanical Surface Detection)
- Electronics: DAE4 Sn1341; Calibrated: 2022/7/19
- Phantom: ELI Phantom_2105; Type: QD OVA 004 Ax; Serial: 2105
- Measurement SW: DASY52, Version 52.10 (4); SEMCAD X Version 14.6.14 (7501)

Pin=50mW/Area Scan (81x81x1): Interpolated grid: dx=1.200 mm, dy=1.200 mm

Maximum value of SAR (interpolated) = 4.25 W/kg

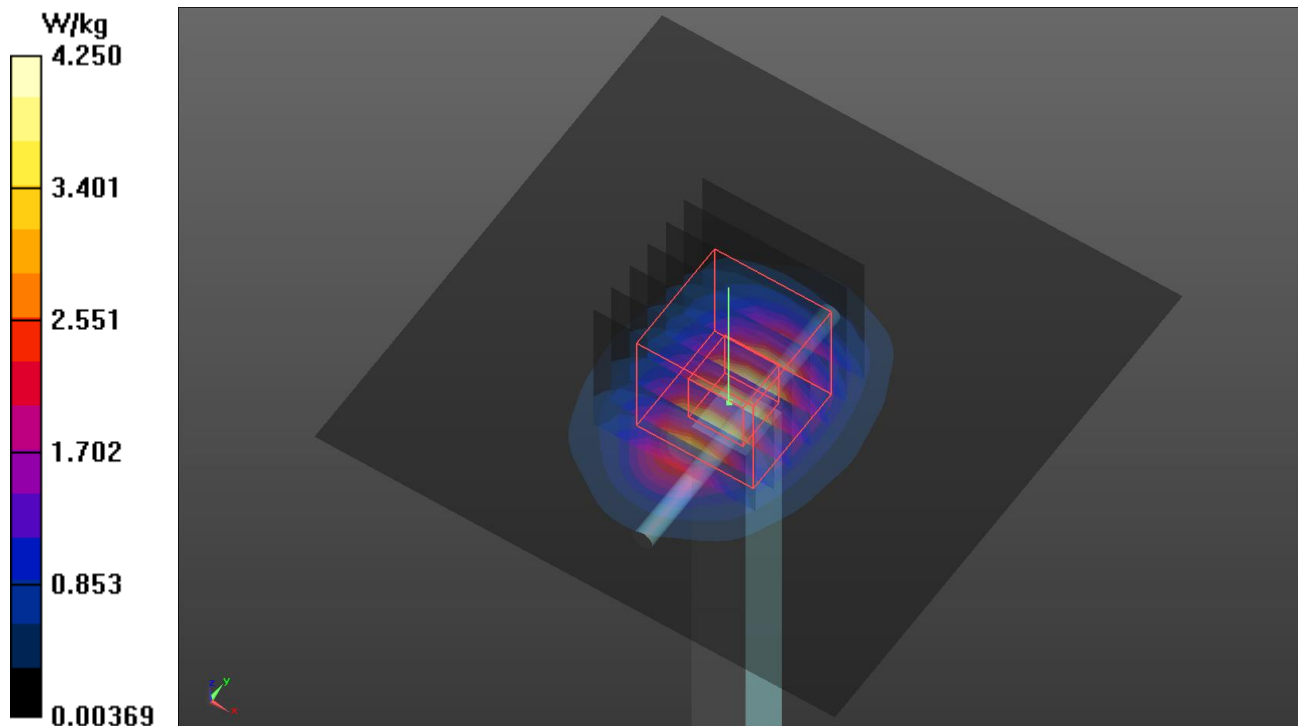
Pin=50mW/Zoom Scan (7x7x7)/Cube 0: Measurement grid: dx=5mm, dy=5mm, dz=5mm

Reference Value = 45.70 V/m; Power Drift = -0.13 dB

Peak SAR (extrapolated) = 5.17 W/kg

SAR(1 g) = 2.51 W/kg; SAR(10 g) = 1.2 W/kg (SAR corrected for target medium)

Maximum value of SAR (measured) = 4.21 W/kg



Appendix B. Plots of Measurement

The SAR plots for highest measured SAR in each exposure configuration, wireless mode and frequency band combination are shown as follows.

Plots of Measurement

Test Laboratory: Bureau Veritas ADT SAR/HAC Testing Lab

Date: 2022/11/07

P01 WLAN2.4G_802.11b_Top Side_0mm_Ch6_Sample 1_Ant 0

DUT: BFLF-WTW-P22110086

Communication System: UID 10012 - CAB, IEEE 802.11b WiFi 2.4 GHz (DSSS, 1 Mbps); Frequency: 2437 MHz; Duty Cycle: 1:1.03

Medium: H19T27N1_1107 Medium parameters used (interpolated): $f = 2437$ MHz; $\sigma = 1.854$ S/m; $\epsilon_r = 37.98$; $\rho = 1000$ kg/m³

Ambient Temperature : 23.6 °C ; Liquid Temperature : 23.2 °C

DASY5 Configuration:

- Probe: EX3DV4 - SN7472; ConvF(7.89, 7.89, 7.89) @ 2437 MHz; Calibrated: 2022/05/27
- Sensor-Surface: 1.4mm (Mechanical Surface Detection)
- Electronics: DAE3 Sn579; Calibrated: 2022/06/01
- Phantom: ELI Phantom_2105; Type: QD OVA 004 Ax;
- Measurement SW: DASY52, Version 52.10 (4); SEMCAD X Version 14.6.14 (7501)

Area Scan (71x271x1): Interpolated grid: dx=1.200 mm, dy=1.200 mm
Maximum value of SAR (interpolated) = 0.508 W/kg

Zoom Scan (7x7x7)/Cube 0: Measurement grid: dx=5mm, dy=5mm, dz=5mm

Reference Value = 15.90 V/m; Power Drift = 0.02 dB

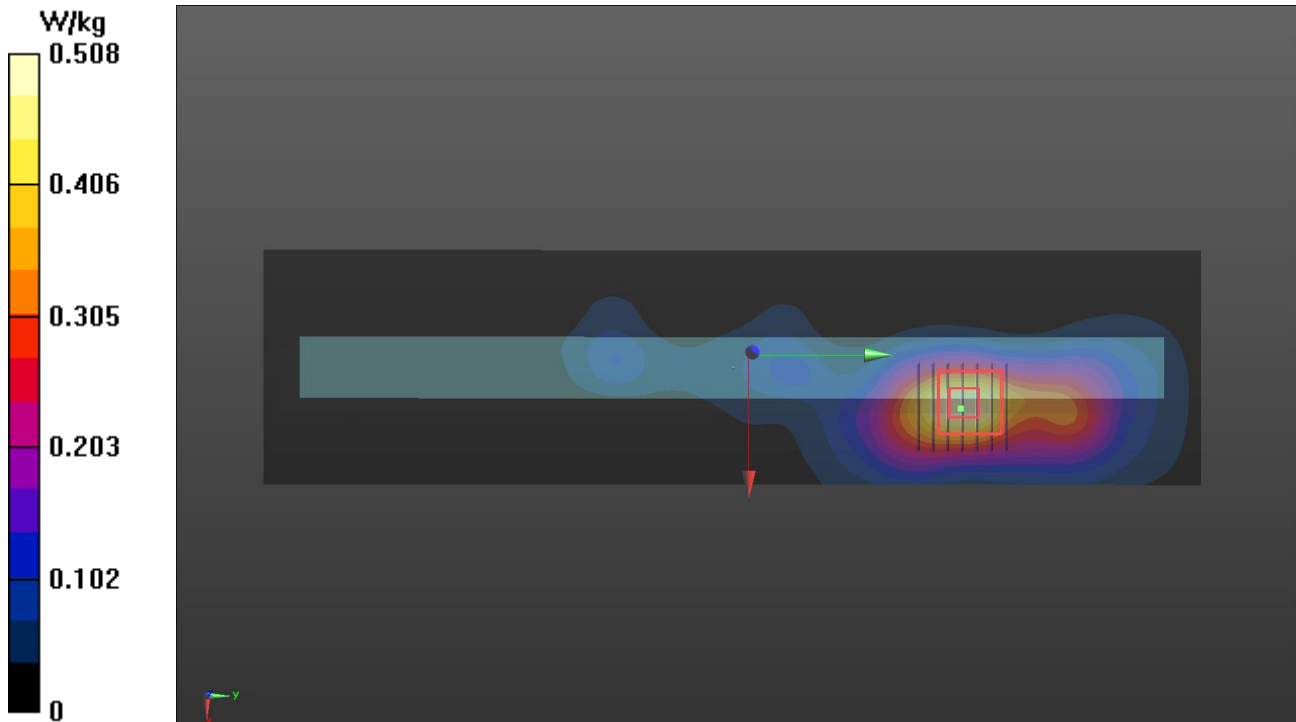
Peak SAR (extrapolated) = 1.08 W/kg

SAR(1 g) = 0.447 W/kg; SAR(10 g) = 0.208 W/kg (SAR corrected for target medium)

Smallest distance from peaks to all points 3 dB below = 8.2 mm

Ratio of SAR at M2 to SAR at M1 = 42.9%

Maximum value of SAR (measured) = 0.829 W/kg



Plots of Measurement

Test Laboratory: Bureau Veritas ADT SAR/HAC Testing Lab

Date: 2022/11/07

P02 WLAN5.3G_802.11ac_VHT80_Top Side_0mm_Ch58_Sample 1_Ant 1

DUT: BFLF-WTW-P22110086

Communication System: UID 10544 - AAC, IEEE 802.11ac WiFi (80MHz, MCS0); Frequency: 5290 MHz; Duty Cycle: 1:1.03

Medium: H34T60N1_1107 Medium parameters used: $f = 5290$ MHz; $\sigma = 4.691$ S/m; $\epsilon_r = 35.851$; $\rho = 1000$ kg/m³

Ambient Temperature : 23.5 °C ; Liquid Temperature : 23.2 °C

DASY5 Configuration:

- Probe: EX3DV4 - SN7472; ConvF(5.89, 5.89, 5.89) @ 5290 MHz; Calibrated: 2022/05/27
- Sensor-Surface: 1.4mm (Mechanical Surface Detection)
- Electronics: DAE3 Sn579; Calibrated: 2022/06/01
- Phantom: ELI Phantom_2105; Type: QD OVA 004 Ax;
- Measurement SW: DASY52, Version 52.10 (4); SEMCAD X Version 14.6.14 (7483)

Area Scan (81x321x1): Interpolated grid: dx=1.000 mm, dy=1.000 mm

Maximum value of SAR (interpolated) = 0.885 W/kg

Zoom Scan (7x7x7)/Cube 0: Measurement grid: dx=4mm, dy=4mm, dz=1.4mm

Reference Value = 14.45 V/m; Power Drift = -0.06 dB

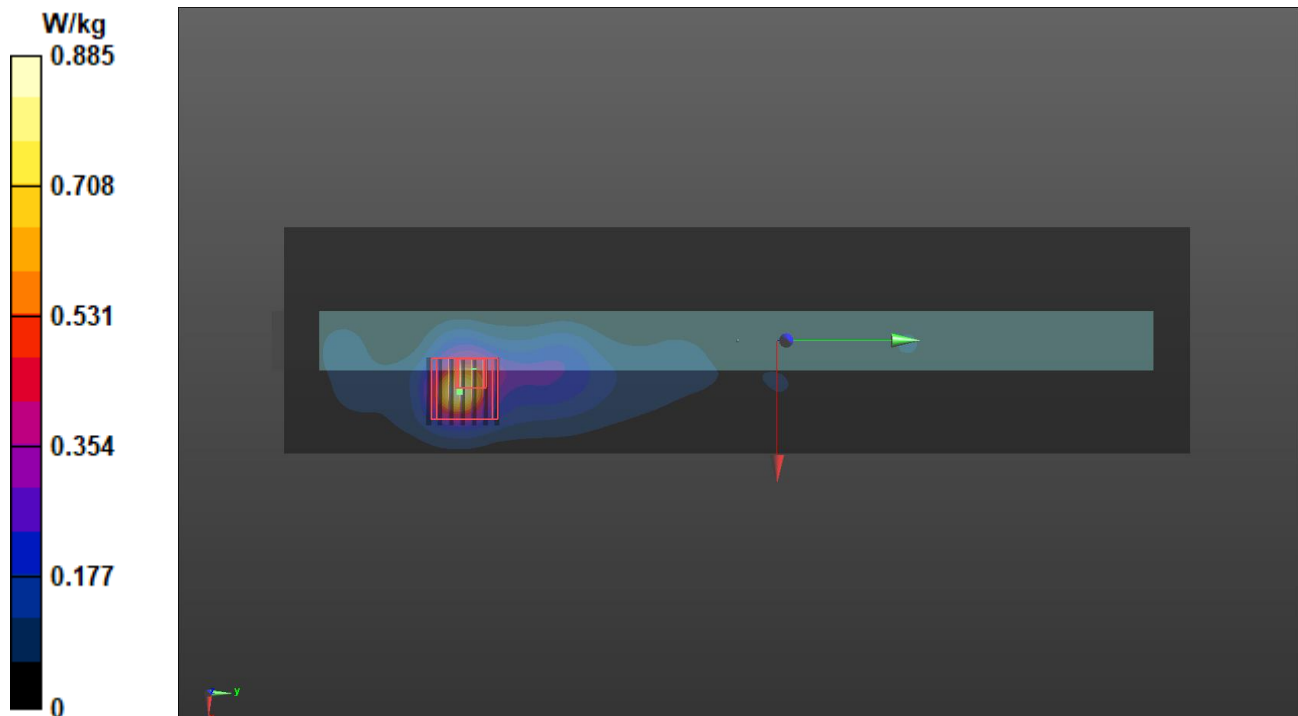
Peak SAR (extrapolated) = 4.21 W/kg

SAR(1 g) = 1.11 W/kg; SAR(10 g) = 0.279 W/kg (SAR corrected for target medium)

Smallest distance from peaks to all points 3 dB below = 6.4 mm

Ratio of SAR at M2 to SAR at M1 = 67.2%

Maximum value of SAR (measured) = 2.67 W/kg



Plots of Measurement

Test Laboratory: Bureau Veritas ADT SAR/HAC Testing Lab

Date: 2022/11/07

P03 WLAN5.6G_802.11ac_VHT80_Top Side_0mm_Ch138_Sample 1_Ant 1

DUT: BFLF-WTW-P22110086

Communication System: UID 10544 - AAC, IEEE 802.11ac WiFi (80MHz, MCS0); Frequency: 5690 MHz; Duty Cycle: 1:1.03

Medium: H34T60N1_1107 Medium parameters used: $f = 5690$ MHz; $\sigma = 5.164$ S/m; $\epsilon_r = 35.498$; $\rho = 1000$ kg/m³

Ambient Temperature : 23.6 °C ; Liquid Temperature : 23.2 °C

DASY5 Configuration:

- Probe: EX3DV4 - SN7472; ConvF(5.28, 5.28, 5.28) @ 5690 MHz; Calibrated: 2022/05/27
- Sensor-Surface: 1.4mm (Mechanical Surface Detection)
- Electronics: DAE3 Sn579; Calibrated: 2022/06/01
- Phantom: ELI Phantom_2105; Type: QD OVA 004 Ax;
- Measurement SW: DASY52, Version 52.10 (4); SEMCAD X Version 14.6.14 (7501)

Area Scan (81x321x1): Interpolated grid: dx=1.000 mm, dy=1.000 mm

Maximum value of SAR (interpolated) = 1.08 W/kg

Zoom Scan (7x7x7)/Cube 0: Measurement grid: dx=4mm, dy=4mm, dz=1.4mm

Reference Value = 15.59 V/m; Power Drift = -0.04 dB

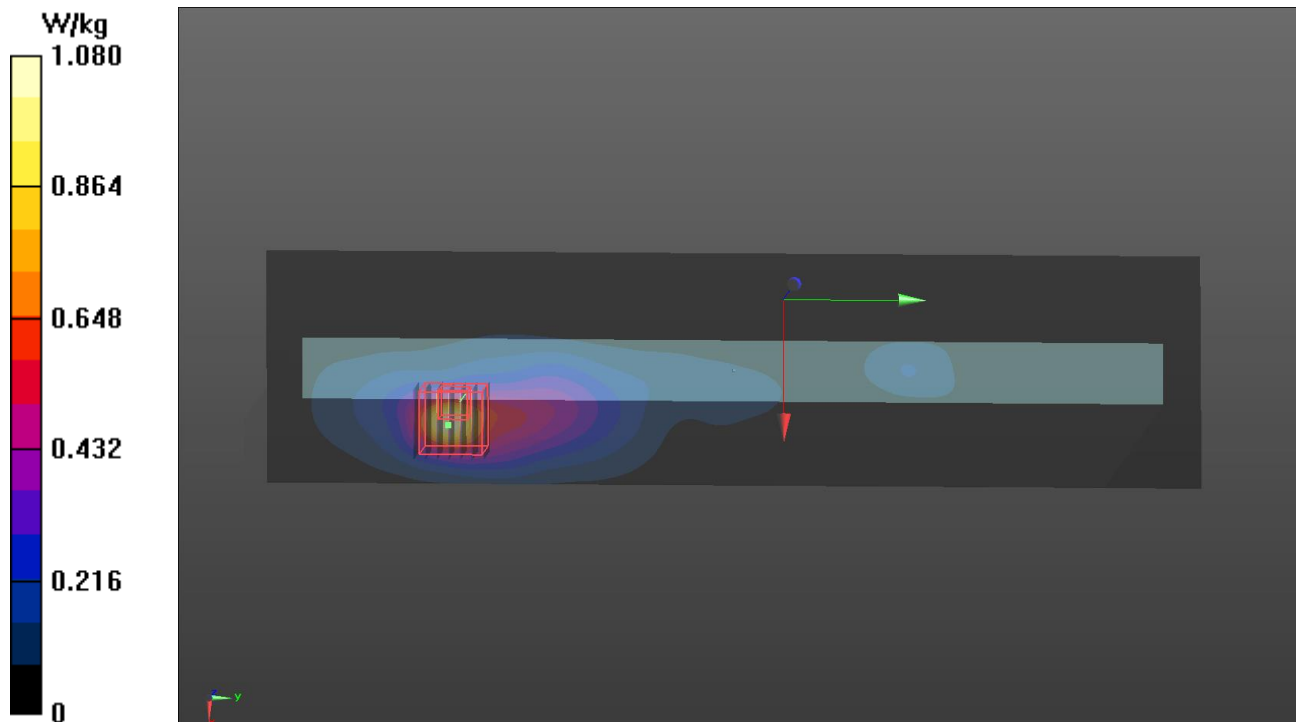
Peak SAR (extrapolated) = 4.82 W/kg

SAR(1 g) = 1.12 W/kg; SAR(10 g) = 0.323 W/kg (SAR corrected for target medium)

Smallest distance from peaks to all points 3 dB below = 6.6 mm

Ratio of SAR at M2 to SAR at M1 = 63.5%

Maximum value of SAR (measured) = 2.85 W/kg



Plots of Measurement

Test Laboratory: Bureau Veritas ADT SAR/HAC Testing Lab

Date: 2022/11/07

P04 WLAN5.8G_802.11ac VHT80_Top Side_0mm_Ch155_Sample 1_Ant 1

DUT: BFLF-WTW-P22110086

Communication System: UID 10544 - AAC, IEEE 802.11ac WiFi (80MHz, MCS0); Frequency: 5775 MHz; Duty Cycle: 1:1.03

Medium: H34T60N1_1107 Medium parameters used: $f = 5775$ MHz; $\sigma = 5.227$ S/m; $\epsilon_r = 35.434$; $\rho = 1000$ kg/m³

Ambient Temperature : 23.6 °C ; Liquid Temperature : 23.2 °C

DASY5 Configuration:

- Probe: EX3DV4 - SN7472; ConvF(5.28, 5.28, 5.28) @ 5775 MHz; Calibrated: 2022/05/27
- Sensor-Surface: 1.4mm (Mechanical Surface Detection)
- Electronics: DAE3 Sn579; Calibrated: 2022/06/01
- Phantom: ELI Phantom_2105; Type: QD OVA 004 Ax;
- Measurement SW: DASY52, Version 52.10 (4); SEMCAD X Version 14.6.14 (7501)

Area Scan (81x321x1): Interpolated grid: dx=1.000 mm, dy=1.000 mm

Maximum value of SAR (interpolated) = 1.57 W/kg

Zoom Scan (7x7x7)/Cube 0: Measurement grid: dx=4mm, dy=4mm, dz=1.4mm

Reference Value = 18.88 V/m; Power Drift = -0.08 dB

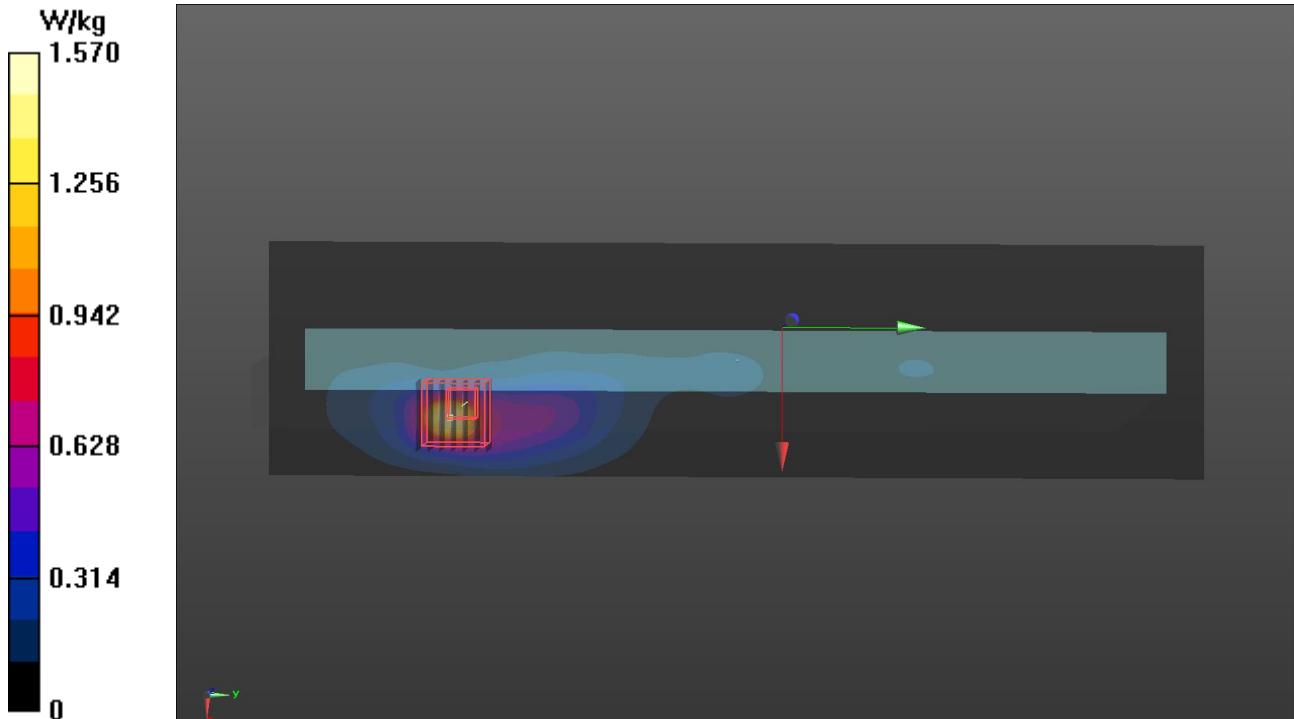
Peak SAR (extrapolated) = 4.51 W/kg

SAR(1 g) = 1.04 W/kg; SAR(10 g) = 0.291 W/kg (SAR corrected for target medium)

Smallest distance from peaks to all points 3 dB below = 5.7 mm

Ratio of SAR at M2 to SAR at M1 = 63.4%

Maximum value of SAR (measured) = 2.71 W/kg



Plots of Measurement

Test Laboratory: Bureau Veritas ADT SAR/HAC Testing Lab

Date: 2022/11/28

P05 BT_BDR_Top Side_0mm_Ch39_Sample 1_Ant 1

DUT: BFLF-WTW-P22110086

Communication System: UID 10032 - CAA, IEEE 802.15.1 Bluetooth (GFSK, DH5); Frequency: 2441 MHz; Duty Cycle: 1:1.3

Medium: H06T27N6_1128 Medium parameters used: $f = 2441$ MHz; $\sigma = 1.846$ S/m; $\epsilon_r = 39.364$; $\rho = 1000$ kg/m³

Ambient Temperature : 22.1 °C ; Liquid Temperature : 21.8 °C

DASY5 Configuration:

- Probe: EX3DV4 - SN7554; ConvF(7.5, 7.5, 7.5) @ 2441 MHz; Calibrated: 2022/7/28
- Sensor-Surface: 1.4mm (Mechanical Surface Detection)
- Electronics: DAE4 Sn1341; Calibrated: 2022/7/19
- Phantom: ELI Phantom_2105; Type: QD OVA 004 Ax; Serial: 2105
- Measurement SW: DASY52, Version 52.10 (4); SEMCAD X Version 14.6.14 (7501)

Area Scan (71x271x1): Interpolated grid: $dx=1.200$ mm, $dy=1.200$ mm

Maximum value of SAR (interpolated) = 0.045 W/kg

Zoom Scan (7x7x7)/Cube 0: Measurement grid: $dx=5$ mm, $dy=5$ mm, $dz=5$ mm

Reference Value = 4.263 V/m; Power Drift = -0.09 dB

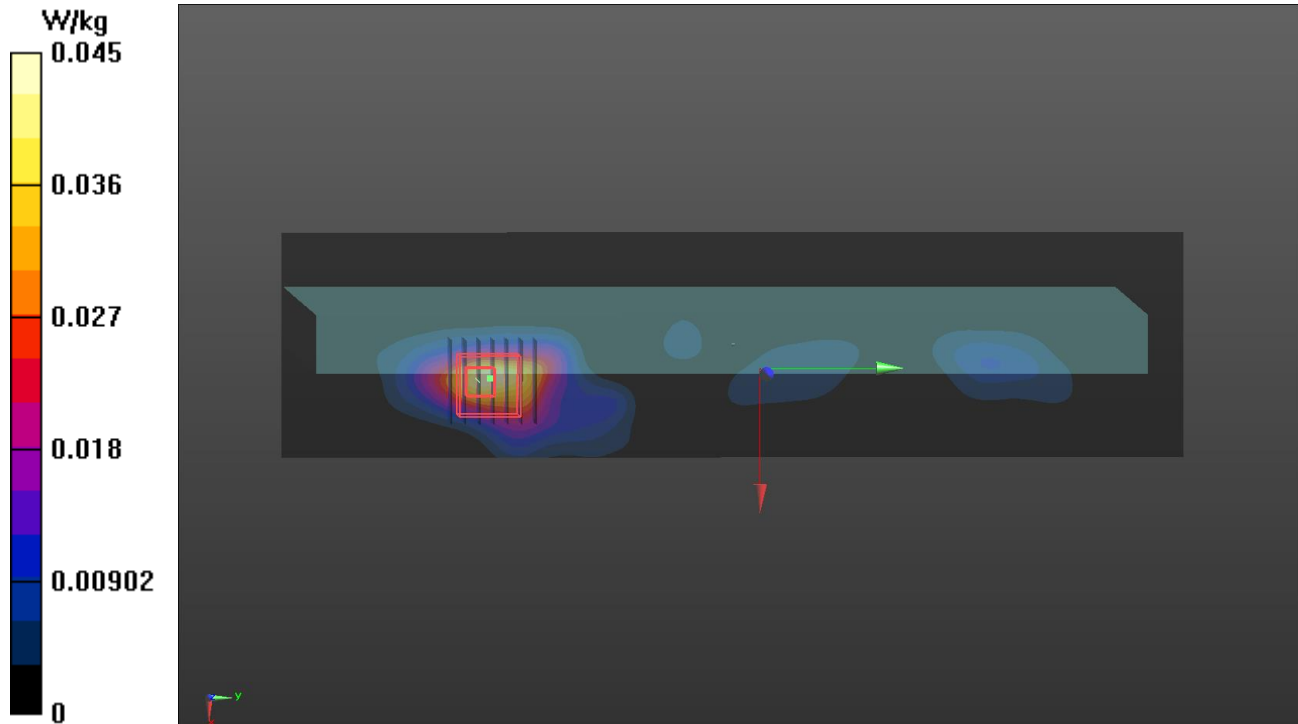
Peak SAR (extrapolated) = 0.0680 W/kg

SAR(1 g) = 0.031 W/kg; SAR(10 g) = 0.014 W/kg (SAR corrected for target medium)

Smallest distance from peaks to all points 3 dB below: Larger than measurement grid (> 15 mm)

Ratio of SAR at M2 to SAR at M1 = 46.6%

Maximum value of SAR (measured) = 0.054 W/kg





BUREAU
VERITAS

Appendix D. Maximum Target Conducted Power

The maximum conducted average power (Unit: dBm) including tune-up tolerance is shown as below.



Tune-up Power (Full)_AX201_NB							
WLAN 2.4GHz							
Mode	Channel	Frequency	SISO Ant 0 Max Tune up	SISO Ant 1 Max Tune up	MIMO Ant 0 Tune up	MIMO Ant 1 Tune up	MIMO Ant 0+1 Max Tune up
802.11b	1	2412	19.50	19.50			
	6	2437	20.00	20.00			
	11	2462	19.50	19.50			
	12	2467	18.50	18.50			
	13	2472	15.50	15.50			
802.11g	1	2412	17.00	17.00			
	6	2437	19.75	19.75			
	11	2462	16.25	16.50			
	12	2467	15.00	15.00			
	13	2472	2.00	1.50			
802.11n HT20	1	2412	17.00	17.00	14.00	14.00	17.00
	6	2437	19.75	19.75	17.50	17.50	20.50
	11	2462	16.00	16.50	13.75	13.75	16.75
	12	2467	15.00	15.00	12.50	12.50	15.50
	13	2472	2.00	1.50	-1.00	-1.00	2.00
802.11n HT40	3	2422	16.50	16.50	13.75	13.75	16.75
	6	2437	17.50	17.50	15.50	15.50	18.50
	9	2452	16.00	16.00	13.50	13.50	16.50
	10	2457	12.25	12.00	9.75	9.75	12.75
	11	2462	5.00	5.00	2.00	2.00	5.00
802.11ax HE20	1	2412	17.00	17.00	14.00	14.00	17.00
	6	2437	19.75	19.75	17.50	17.50	20.50
	11	2462	16.00	16.00	13.75	13.75	16.75
	12	2467	15.00	15.00	12.50	12.50	15.50
	13	2472	2.00	1.50	-1.00	-1.00	2.00
802.11ax HE40	3	2422	16.50	16.50	13.75	13.75	16.75
	6	2437	16.50	16.50	15.50	15.50	18.50
	9	2452	16.00	16.00	13.50	13.50	16.50
	10	2457	12.25	12.00	9.75	9.75	12.75
	11	2462	5.50	4.50	3.00	3.00	6.00



Tune-up Power (Full)_AX201_NB				
Bluetooth				
Mode	Channel	Frequency		SISO Ant 1 Max Tune up
BDR	0	2402		10.0
	39	2441		10.0
	78	2480		10.0
LE	0	2402		7.0
	19	2440		7.0
	39	2480		7.0



Tune-up Power (Full)_AX201_NB							
WLAN 5.2GHz							
Mode	Channel	Frequency	SISO Ant 0 Max Tune up	SISO Ant 1 Max Tune up	MIMO Ant 0 Tune up	MIMO Ant 1 Tune up	MIMO Ant 0+1 Max Tune up
802.11a	36	5180	18.00	18.50			
	40	5200	20.00	20.00			
	44	5220	20.00	20.00			
	48	5240	20.00	20.00			
802.11n HT20	36	5180	18.50	18.00	16.50	16.50	19.50
	40	5200	20.00	20.00	17.50	17.50	20.50
	44	5220	20.00	20.00	18.50	18.50	21.50
	48	5240	19.50	20.00	18.50	18.50	21.50
802.11n HT40	38	5190	18.00	18.00	15.75	15.75	18.75
	46	5230	19.50	20.00	18.00	18.00	21.00
802.11ac VHT80	42	5210	18.00	18.50	15.50	15.50	18.50
802.11ax HE20	36	5180	18.00	18.00	16.50	16.50	19.50
	40	5200	20.00	20.00	18.50	18.50	21.50
	44	5220	20.00	20.00	18.50	18.50	21.50
	48	5240	20.00	20.00	18.50	18.50	21.50
802.11ax HE40	38	5190	18.00	18.00	15.00	15.00	18.00
	46	5230	19.50	20.00	18.00	18.00	21.00
802.11ax HE80	42	5210	18.00	18.50	15.50	15.50	18.50



Tune-up Power (Full)_AX201_NB							
WLAN 5.3GHz							
Mode	Channel	Frequency	SISO Ant 0 Max Tune up	SISO Ant 1 Max Tune up	MIMO Ant 0 Tune up	MIMO Ant 1 Tune up	MIMO Ant 0+1 Max Tune up
802.11a	52	5260	20.00	20.00			
	56	5280	20.00	20.00			
	60	5300	19.50	19.50			
	64	5320	17.25	17.25			
802.11n HT20	52	5260	20.00	20.00	18.25	18.25	21.25
	56	5280	20.00	20.00	18.00	18.00	21.00
	60	5300	19.50	19.50	16.50	16.50	19.50
	64	5320	17.25	17.25	13.50	13.50	16.50
802.11n HT40	54	5270	20.00	20.00	17.00	17.00	20.00
	62	5310	16.50	16.50	13.00	13.00	16.00
802.11ac VHT80	58	5290	17.50	17.25	14.00	14.00	17.00
802.11ac VHT160	50	5250	14.75	15.00	12.00	12.00	15.00
802.11ax HE20	52	5260	20.00	20.00	18.25	18.25	21.25
	56	5280	20.00	20.00	18.00	18.00	21.00
	60	5300	19.50	19.50	16.50	16.50	19.50
	64	5320	17.25	17.25	13.50	13.50	16.50
802.11ax HE40	54	5270	20.00	20.00	17.00	17.00	20.00
	62	5310	16.50	16.50	13.00	13.00	16.00
802.11ax HE80	58	5290	17.50	17.25	14.00	14.00	17.00
802.11ax HE160	50	5250	14.75	15.00	12.00	12.00	15.00



Tune-up Power (Full)_AX201_NB							
WLAN 5.6GHz							
Mode	Channel	Frequency	SISO Ant 0 Max Tune up	SISO Ant 1 Max Tune up	MIMO Ant 0 Tune up	MIMO Ant 1 Tune up	MIMO Ant 0+1 Max Tune up
802.11a	100	5500	17.50	17.50			
	116	5580	20.00	20.00			
	120	5600	20.00	20.00			
	124	5620	20.00	20.00			
	132	5660	20.00	20.00			
	140	5700	17.75	17.75			
	144	5720	20.00	20.00			
802.11n HT20	100	5500	17.50	17.50	14.00	14.00	17.00
	116	5580	20.00	20.00	18.50	18.50	21.50
	120	5600	20.00	20.00	18.50	18.50	21.50
	124	5620	20.00	20.00	18.50	18.50	21.50
	132	5660	20.00	20.00	18.50	18.50	21.50
	140	5700	17.75	17.75	14.50	14.50	17.50
	144	5720	19.50	19.50	18.00	18.00	21.00
802.11n HT40	102	5510	17.75	17.50	14.00	14.00	17.00
	110	5550	20.00	20.00	18.50	18.50	21.50
	118	5590	20.00	20.00	18.50	18.50	21.50
	126	5630	20.00	20.00	18.50	18.50	21.50
	134	5670	19.00	19.00	17.00	17.00	20.00
	142	5710	20.00	20.00	18.50	18.50	21.50
802.11ac VHT80	106	5530	17.75	17.75	15.50	15.50	18.50
	122	5610	19.50	19.50	18.50	18.50	21.50
	138	5690	20.00	20.00	18.50	18.50	21.50
802.11ac VHT160	114	5570	14.50	14.50	12.00	12.00	15.00
802.11ax HE20	100	5500	17.50	17.50	14.00	14.00	17.00
	116	5580	20.00	20.00	18.50	18.50	21.50
	120	5600	20.00	20.00	18.50	18.50	21.50
	124	5620	20.00	20.00	18.50	18.50	21.50
	132	5660	20.00	20.00	18.50	18.50	21.50
	140	5700	17.75	17.50	14.00	14.00	17.00
	144	5720	20.00	20.00	18.00	18.00	21.00
802.11ax HE40	102	5510	17.75	17.50	14.00	14.00	17.00
	110	5550	20.00	20.00	18.50	18.50	21.50
	118	5590	20.00	20.00	18.50	18.50	21.50
	126	5630	20.00	20.00	18.50	18.50	21.50
	134	5670	19.00	19.00	17.00	17.00	20.00
	142	5710	20.00	20.00	18.50	18.50	21.50
802.11ax HE80	106	5530	17.50	17.75	15.50	15.50	18.50
	122	5610	19.50	19.50	18.50	18.50	21.50
	138	5690	20.00	20.00	18.50	18.50	21.50
802.11ax HE160	114	5570	14.50	14.50	12.00	12.00	15.00

Tune-up Power (Full)_AX201_NB							
WLAN 5.8GHz							
Mode	Channel	Frequency	SISO Ant 0 Max Tune up	SISO Ant 1 Max Tune up	MIMO Ant 0 Tune up	MIMO Ant 1 Tune up	MIMO Ant 0+1 Max Tune up
802.11a	149	5745	20.0	20.0			
	153	5765	20.0	20.0			
	157	5785	20.0	20.0			
	161	5805	20.0	20.0			
	165	5825	20.0	20.0			
802.11n HT20	149	5745	20.0	20.0	18.0	18.0	21.0
	153	5765	20.0	20.0	18.0	18.0	21.0
	157	5785	20.0	20.0	18.0	18.0	21.0
	161	5805	20.0	20.0	18.0	18.0	21.0
	165	5825	20.0	20.0	18.0	18.0	21.0
802.11n HT40	151	5755	20.0	20.0	18.5	18.5	21.5
	159	5795	20.0	20.0	18.5	18.5	21.5
802.11ac VHT80	155	5775	19.0	19.0	16.5	16.5	19.5
802.11ax HE20	149	5745	20.0	20.0	18.0	18.0	21.0
	153	5765	20.0	20.0	18.0	18.0	21.0
	157	5785	20.0	20.0	18.0	18.0	21.0
	161	5805	20.0	20.0	18.0	18.0	21.0
	165	5825	20.0	20.0	18.0	18.0	21.0
802.11ax HE40	151	5755	20.0	20.0	18.5	18.5	21.5
	159	5795	20.0	20.0	18.5	18.5	21.5
802.11ax HE80	155	5775	19.0	19.0	16.5	16.5	19.5



Tune-up Power (Full)_AX201_TB

WLAN 2.4GHz

Mode	Channel	Frequency	SISO Ant 0 Max Tune up	SISO Ant 1 Max Tune up	MIMO Ant 0 Tune up	MIMO Ant 1 Tune up	MIMO Ant 0+1 Max Tune up
802.11b	1	2412	19.50	19.50			
	6	2437	20.00	20.00			
	11	2462	19.50	19.50			
	12	2467	18.50	18.50			
	13	2472	15.50	15.50			
802.11g	1	2412	17.00	17.00			
	6	2437	19.75	19.75			
	11	2462	16.25	16.50			
	12	2467	15.00	15.00			
	13	2472	2.00	1.50			
802.11n HT20	1	2412	17.00	17.00	14.00	14.00	17.00
	6	2437	19.75	19.75	17.50	17.50	20.50
	11	2462	16.00	16.50	13.75	13.75	16.75
	12	2467	15.00	15.00	12.50	12.50	15.50
	13	2472	2.00	1.50	-1.00	-1.00	2.00
802.11n HT40	3	2422	16.50	16.50	13.75	13.75	16.75
	6	2437	17.50	17.50	15.50	15.50	18.50
	9	2452	16.00	16.00	13.50	13.50	16.50
	10	2457	12.25	12.00	9.75	9.75	12.75
	11	2462	5.00	5.00	2.00	2.00	5.00
802.11ax HE20	1	2412	17.00	17.00	14.00	14.00	17.00
	6	2437	19.75	19.75	17.50	17.50	20.50
	11	2462	16.00	16.00	13.75	13.75	16.75
	12	2467	15.00	15.00	12.50	12.50	15.50
	13	2472	2.00	1.50	-1.00	-1.00	2.00
802.11ax HE40	3	2422	16.50	16.50	13.75	13.75	16.75
	6	2437	16.50	16.50	15.50	15.50	18.50
	9	2452	16.00	16.00	13.50	13.50	16.50
	10	2457	12.25	12.00	9.75	9.75	12.75
	11	2462	5.50	4.50	3.00	3.00	6.00



Tune-up Power (Full)_AX201_TB

Bluetooth

Mode	Channel	Frequency	SISO Ant 1 Max Tune up
BDR	0	2402	10.0
	39	2441	10.0
	78	2480	10.0
LE	0	2402	7.0
	19	2440	7.0
	39	2480	7.0

Tune-up Power (Full)_AX201_TB
WLAN 5.2GHz

Mode	Channel	Frequency	SISO Ant 0 Max Tune up	SISO Ant 1 Max Tune up	MIMO Ant 0 Tune up	MIMO Ant 1 Tune up	MIMO Ant 0+1 Max Tune up
802.11a	36	5180	16.00	16.00			
	40	5200	16.00	16.00			
	44	5220	16.00	16.00			
	48	5240	16.00	16.00			
802.11n HT20	36	5180	16.00	16.00	16.00	16.00	19.00
	40	5200	16.00	16.00	16.00	16.00	19.00
	44	5220	16.00	16.00	16.00	16.00	19.00
	48	5240	16.00	16.00	16.00	16.00	19.00
802.11n HT40	38	5190	16.00	16.00	15.75	15.75	18.75
	46	5230	16.00	16.00	16.00	16.00	19.00
802.11ac VHT80	42	5210	16.00	16.00	15.50	15.50	18.50
802.11ax HE20	36	5180	16.00	16.00	16.00	16.00	19.00
	40	5200	16.00	16.00	16.00	16.00	19.00
	44	5220	16.00	16.00	16.00	16.00	19.00
	48	5240	16.00	16.00	16.00	16.00	19.00
802.11ax HE40	38	5190	16.00	16.00	15.00	15.00	18.00
	46	5230	16.00	16.00	16.00	16.00	19.00
802.11ax HE80	42	5210	16.00	16.00	15.50	15.50	18.50

Tune-up Power (Full)_AX201_TB
WLAN 5.3GHz

Mode	Channel	Frequency	SISO Ant 0 Max Tune up	SISO Ant 1 Max Tune up	MIMO Ant 0 Tune up	MIMO Ant 1 Tune up	MIMO Ant 0+1 Max Tune up
802.11a	52	5260	16.00	16.00			
	56	5280	16.00	16.00			
	60	5300	16.00	16.00			
	64	5320	16.00	16.00			
802.11n HT20	52	5260	16.00	16.00	16.00	16.00	19.00
	56	5280	16.00	16.00	16.00	16.00	19.00
	60	5300	16.00	16.00	16.00	16.00	19.00
	64	5320	16.00	16.00	13.50	13.50	16.50
802.11n HT40	54	5270	16.00	16.00	16.00	16.00	19.00
	62	5310	16.00	16.00	13.00	13.00	16.00
802.11ac VHT80	58	5290	16.00	16.00	14.00	14.00	17.00
802.11ac VHT160	50	5250	14.75	15.00	12.00	12.00	15.00
802.11ax HE20	52	5260	16.00	16.00	16.00	16.00	19.00
	56	5280	16.00	16.00	16.00	16.00	19.00
	60	5300	16.00	16.00	16.00	16.00	19.00
	64	5320	16.00	16.00	13.50	13.50	16.50
802.11ax HE40	54	5270	16.00	16.00	16.00	16.00	19.00
	62	5310	16.00	16.00	13.00	13.00	16.00
802.11ax HE80	58	5290	16.00	16.00	14.00	14.00	17.00
802.11ax HE160	50	5250	14.75	15.00	12.00	12.00	15.00

Tune-up Power (Full)_AX201_TB
WLAN 5.6GHz

Mode	Channel	Frequency	SISO Ant 0 Max Tune up	SISO Ant 1 Max Tune up	MIMO Ant 0 Tune up	MIMO Ant 1 Tune up	MIMO Ant 0+1 Max Tune up
802.11a	100	5500	16.0	16.0			
	116	5580	16.0	16.0			
	120	5600	16.0	16.0			
	124	5620	16.0	16.0			
	132	5660	16.0	16.0			
	140	5700	16.0	16.0			
	144	5720	16.0	16.0			
802.11n HT20	100	5500	16.0	16.0	14.0	14.0	17.0
	116	5580	16.0	16.0	16.0	16.0	19.0
	120	5600	16.0	16.0	16.0	16.0	19.0
	124	5620	16.0	16.0	16.0	16.0	19.0
	132	5660	16.0	16.0	16.0	16.0	19.0
	140	5700	16.0	16.0	14.5	14.5	17.5
	144	5720	16.0	16.0	16.0	16.0	19.0
802.11n HT40	102	5510	16.0	16.0	14.0	14.0	17.0
	110	5550	16.0	16.0	16.0	16.0	19.0
	118	5590	16.0	16.0	16.0	16.0	19.0
	126	5630	16.0	16.0	16.0	16.0	19.0
	134	5670	16.0	16.0	16.0	16.0	19.0
	142	5710	16.0	16.0	16.0	16.0	19.0
802.11ac VHT80	106	5530	16.0	16.0	15.5	15.5	18.5
	122	5610	16.0	16.0	16.0	16.0	19.0
	138	5690	16.0	16.0	16.0	16.0	19.0
802.11ac VHT160	114	5570	14.5	14.5	12.0	12.0	15.0
802.11ax HE20	100	5500	16.0	16.0	14.0	14.0	17.0
	116	5580	16.0	16.0	16.0	16.0	19.0
	120	5600	16.0	16.0	16.0	16.0	19.0
	124	5620	16.0	16.0	16.0	16.0	19.0
	132	5660	16.0	16.0	16.0	16.0	19.0
	140	5700	16.0	16.0	14.0	14.0	17.0
	144	5720	16.0	16.0	16.0	16.0	19.0
802.11ax HE40	102	5510	16.0	16.0	14.0	14.0	17.0
	110	5550	16.0	16.0	16.0	16.0	19.0
	118	5590	16.0	16.0	16.0	16.0	19.0
	126	5630	16.0	16.0	16.0	16.0	19.0
	134	5670	16.0	16.0	16.0	16.0	19.0
	142	5710	16.0	16.0	16.0	16.0	19.0
802.11ax HE80	106	5530	16.0	16.0	15.5	15.5	18.5
	122	5610	16.0	16.0	16.0	16.0	19.0
	138	5690	16.0	16.0	16.0	16.0	19.0
802.11ax HE160	114	5570	14.5	14.5	12.0	12.0	15.0



Tune-up Power (Full)_AX201_TB

WLAN 5.8GHz

Mode	Channel	Frequency	SISO Ant 0 Max Tune up	SISO Ant 1 Max Tune up	MIMO Ant 0 Tune up	MIMO Ant 1 Tune up	MIMO Ant 0+1 Max Tune up
802.11a	149	5745	16.0	16.0			
	153	5765	16.0	16.0			
	157	5785	16.0	16.0			
	161	5805	16.0	16.0			
	165	5825	16.0	16.0			
802.11n HT20	149	5745	16.0	16.0	16.0	16.0	19.0
	153	5765	16.0	16.0	16.0	16.0	19.0
	157	5785	16.0	16.0	16.0	16.0	19.0
	161	5805	16.0	16.0	16.0	16.0	19.0
	165	5825	16.0	16.0	16.0	16.0	19.0
802.11n HT40	151	5755	16.0	16.0	16.0	16.0	19.0
	159	5795	16.0	16.0	16.0	16.0	19.0
802.11ac VHT80	155	5775	16.0	16.0	16.0	16.0	19.0
802.11ax HE20	149	5745	16.0	16.0	16.0	16.0	19.0
	153	5765	16.0	16.0	16.0	16.0	19.0
	157	5785	16.0	16.0	16.0	16.0	19.0
	161	5805	16.0	16.0	16.0	16.0	19.0
	165	5825	16.0	16.0	16.0	16.0	19.0
802.11ax HE40	151	5755	16.0	16.0	16.0	16.0	19.0
	159	5795	16.0	16.0	16.0	16.0	19.0
802.11ax HE80	155	5775	16.0	16.0	16.0	16.0	19.0

Tune-up Power (Full)_9462_NB				
WLAN 2.4GHz				
Mode	Channel	Frequency	SISO Ant 0 Max Tune up	SISO Ant 1 Max Tune up
802.11b	1	2412	17.50	17.25
	6	2437	20.00	20.00
	11	2462	19.00	19.00
	12	2467	16.50	16.00
	13	2472	14.25	14.00
802.11g	1	2412	15.25	15.25
	6	2437	18.25	18.50
	11	2462	15.00	15.00
	12	2467	12.50	12.25
	13	2472	-6.25	-6.25
802.11n HT20	1	2412	15.25	15.25
	6	2437	18.25	18.50
	11	2462	15.00	15.00
	12	2467	12.50	12.25
	13	2472	-6.25	-6.25
802.11n HT40	3	2422	13.50	13.50
	6	2437	14.25	14.25
	9	2452	13.00	13.00
	10	2457	10.00	10.25
	11	2462	1.50	2.50



Tune-up Power (Full)_9462_NB			
Bluetooth			
Mode	Channel	Frequency	SISO Ant 1 Max Tune up
BDR	0	2402	11.0
	39	2441	11.0
	78	2480	11.0
LE	0	2402	9.0
	19	2440	9.0
	39	2480	9.0



Tune-up Power (Full)_9462_NB				
WLAN 5.2GHz				
Mode	Channel	Frequency	SISO Ant 0 Max Tune up	SISO Ant 1 Max Tune up
802.11a	36	5180	15.75	15.25
	40	5200	18.50	18.25
	44	5220	20.00	20.00
	48	5240	19.00	19.25
802.11n HT20	36	5180	15.75	15.25
	40	5200	18.50	18.25
	44	5220	20.00	20.00
	48	5240	19.00	19.25
802.11n HT40	38	5190	14.00	13.75
	46	5230	15.50	14.50
802.11ac VHT80	42	5210	11.50	13.00



Tune-up Power (Full)_9462_NB				
WLAN 5.3GHz				
Mode	Channel	Frequency	SISO Ant 0 Max Tune up	SISO Ant 1 Max Tune up
802.11a	52	5260	19.50	19.50
	56	5280	18.00	18.25
	60	5300	18.00	18.25
	64	5320	14.00	14.00
802.11n HT20	52	5260	19.50	19.50
	56	5280	18.00	18.25
	60	5300	18.00	18.25
	64	5320	14.00	14.00
802.11n HT40	54	5270	16.00	16.00
	62	5310	11.00	11.00
802.11ac VHT80	58	5290	12.00	12.00

Tune-up Power (Full)_9462_NB				
WLAN 5.6GHz				
Mode	Channel	Frequency	SISO Ant 0 Max Tune up	SISO Ant 1 Max Tune up
802.11a	100	5500	17.75	16.25
	116	5580	20.00	20.00
	120	5600	20.00	20.00
	124	5620	20.00	20.00
	132	5660	20.00	20.00
	140	5700	17.75	17.75
	144	5720	19.50	19.75
802.11n HT20	100	5500	17.75	16.25
	116	5580	20.00	20.00
	120	5600	20.00	20.00
	124	5620	20.00	20.00
	132	5660	20.00	20.00
	140	5700	17.75	17.75
	144	5720	19.50	19.75
802.11n HT40	102	5510	16.25	16.00
	110	5550	20.00	20.00
	118	5590	20.00	20.00
	126	5630	20.00	20.00
	134	5670	17.75	18.00
	142	5710	19.50	19.75
802.11ac VHT80	106	5530	15.25	15.25
	122	5610	18.25	17.75
	138	5690	19.50	19.50

Tune-up Power (Full)_9462_NB				
WLAN 5.8GHz				
Mode	Channel	Frequency	SISO Ant 0 Max Tune up	SISO Ant 1 Max Tune up
802.11a	149	5745	20.00	20.00
	153	5765	20.00	20.00
	157	5785	20.00	20.00
	161	5805	20.00	20.00
	165	5825	19.75	19.50
802.11n HT20	149	5745	20.00	20.00
	153	5765	20.00	20.00
	157	5785	20.00	20.00
	161	5805	20.00	20.00
	165	5825	19.75	19.50
802.11n HT40	151	5755	20.00	20.00
	159	5795	20.00	20.00
802.11ac VHT80	155	5775	17.00	17.25

Tune-up Power (Full)_9462_TB				
WLAN 2.4GHz				
Mode	Channel	Frequency	SISO Ant 0 Max Tune up	SISO Ant 1 Max Tune up
802.11b	1	2412	17.50	17.25
	6	2437	20.00	20.00
	11	2462	19.00	19.00
	12	2467	16.50	16.00
	13	2472	14.25	14.00
802.11g	1	2412	15.25	15.25
	6	2437	18.25	18.50
	11	2462	15.00	15.00
	12	2467	12.50	12.25
	13	2472	-6.25	-6.25
802.11n HT20	1	2412	15.25	15.25
	6	2437	18.25	18.50
	11	2462	15.00	15.00
	12	2467	12.50	12.25
	13	2472	-6.25	-6.25
802.11n HT40	3	2422	13.50	13.50
	6	2437	14.25	14.25
	9	2452	13.00	13.00
	10	2457	10.00	10.25
	11	2462	1.50	2.50



Tune-up Power (Full)_9462_TB			
Bluetooth			
Mode	Channel	Frequency	SISO Ant 1 Max Tune up
BDR	0	2402	11.0
	39	2441	11.0
	78	2480	11.0
LE	0	2402	9.0
	19	2440	9.0
	39	2480	9.0



Tune-up Power (Full)_9462_TB				
WLAN 5.2GHz				
Mode	Channel	Frequency	SISO Ant 0 Max Tune up	SISO Ant 1 Max Tune up
802.11a	36	5180	15.75	15.25
	40	5200	16.00	16.00
	44	5220	16.00	16.00
	48	5240	16.00	16.00
802.11n HT20	36	5180	15.75	15.25
	40	5200	16.00	16.00
	44	5220	16.00	16.00
	48	5240	16.00	16.00
802.11n HT40	38	5190	14.00	13.75
	46	5230	15.50	14.50
802.11ac VHT80	42	5210	11.50	13.00

Tune-up Power (Full)_9462_TB				
WLAN 5.3GHz				
Mode	Channel	Frequency	SISO Ant 0 Max Tune up	SISO Ant 1 Max Tune up
802.11a	52	5260	16.0	16.0
	56	5280	16.0	16.0
	60	5300	16.0	16.0
	64	5320	14.0	14.0
802.11n HT20	52	5260	16.0	16.0
	56	5280	16.0	16.0
	60	5300	16.0	16.0
	64	5320	14.0	14.0
802.11n HT40	54	5270	16.0	16.0
	62	5310	11.0	11.0
802.11ac VHT80	58	5290	12.0	12.0

Tune-up Power (Full)_9462_TB				
WLAN 5.6GHz				
Mode	Channel	Frequency	SISO Ant 0 Max Tune up	SISO Ant 1 Max Tune up
802.11a	100	5500	16.00	16.00
	116	5580	16.00	16.00
	120	5600	16.00	16.00
	124	5620	16.00	16.00
	132	5660	16.00	16.00
	140	5700	16.00	16.00
	144	5720	16.00	16.00
802.11n HT20	100	5500	16.00	16.00
	116	5580	16.00	16.00
	120	5600	16.00	16.00
	124	5620	16.00	16.00
	132	5660	16.00	16.00
	140	5700	16.00	16.00
	144	5720	16.00	16.00
802.11n HT40	102	5510	16.00	16.00
	110	5550	16.00	16.00
	118	5590	16.00	16.00
	126	5630	16.00	16.00
	134	5670	16.00	16.00
	142	5710	16.00	16.00
802.11ac VHT80	106	5530	15.25	15.25
	122	5610	16.00	16.00
	138	5690	16.00	16.00

Tune-up Power (Full)_9462_TB				
WLAN 5.8GHz				
Mode	Channel	Frequency	SISO Ant 0 Max Tune up	SISO Ant 1 Max Tune up
802.11a	149	5745	16.0	16.0
	153	5765	16.0	16.0
	157	5785	16.0	16.0
	161	5805	16.0	16.0
	165	5825	16.0	16.0
802.11n HT20	149	5745	16.0	16.0
	153	5765	16.0	16.0
	157	5785	16.0	16.0
	161	5805	16.0	16.0
	165	5825	16.0	16.0
802.11n HT40	151	5755	16.0	16.0
	159	5795	16.0	16.0
802.11ac VHT80	155	5775	16.0	16.0



BUREAU
VERITAS

Appendix E. Measured Conducted Power Result

The measuring conducted power (Unit: dBm) are shown as below.

Conducted Power (Full)_AX201_NB			
WLAN2.4GHz Ant 0			
Mode	Channel	Frequency	SISO Ant 0 Avg. Power
802.11b	1	2412	19.49
	6	2437	19.98
	11	2462	19.48
	12	2467	18.43
	13	2472	15.44
802.11g	1	2412	16.97
	6	2437	19.72
	11	2462	16.22
	12	2467	14.95
	13	2472	1.88
802.11n HT20	1	2412	16.96
	6	2437	19.67
	11	2462	15.97
	12	2467	14.95
	13	2472	1.91
802.11n HT40	3	2422	16.44
	6	2437	17.45
	9	2452	15.97
	10	2457	12.18
	11	2462	4.96
802.11ax HE20	1	2412	16.93
	6	2437	19.72
	11	2462	15.93
	12	2467	14.97
	13	2472	1.94
802.11ax HE40	3	2422	16.44
	6	2437	16.48
	9	2452	15.97
	10	2457	12.21
	11	2462	5.47

Conducted Power (Full)_AX201_NB			
WLAN2.4GHz Ant 1			
Mode	Channel	Frequency	SISO Ant 1 Avg. Power
802.11b	1	2412	19.49
	6	2437	19.98
	11	2462	19.42
	12	2467	18.47
	13	2472	15.49
802.11g	1	2412	16.95
	6	2437	19.71
	11	2462	16.44
	12	2467	14.97
	13	2472	1.37
802.11n HT20	1	2412	16.88
	6	2437	19.69
	11	2462	16.41
	12	2467	14.94
	13	2472	1.41
802.11n HT40	3	2422	16.42
	6	2437	17.45
	9	2452	15.96
	10	2457	11.89
	11	2462	4.9
802.11ax HE20	1	2412	16.88
	6	2437	19.74
	11	2462	15.92
	12	2467	14.91
	13	2472	1.42
802.11ax HE40	3	2422	16.44
	6	2437	16.46
	9	2452	15.88
	10	2457	11.94
	11	2462	4.41



Conducted Power (Full)_AX201_NB					
WLAN2.4GHz Ant 0+1					
Mode	Channel	Frequency	MIMO Ant 0 Avg. Power	MIMO Ant 1 Avg. Power	MIMO Ant 0+1 Avg. Power
802.11n HT20	1	2412	13.96	13.94	16.96
	6	2437	17.46	17.44	20.46
	11	2462	13.73	13.72	16.74
	12	2467	12.48	12.47	15.49
	13	2472	-1.14	-1.12	1.88
802.11n HT40	3	2422	13.68	13.69	16.70
	6	2437	15.44	15.41	18.44
	9	2452	13.42	13.52	16.48
	10	2457	9.69	9.66	12.69
	11	2462	1.89	1.87	4.89
802.11ax HE20	1	2412	13.91	13.89	16.91
	6	2437	17.38	17.42	20.41
	11	2462	13.69	13.69	16.70
	12	2467	12.41	12.41	15.42
	13	2472	-1.16	-1.14	1.86
802.11ax HE40	3	2422	13.69	13.69	16.70
	6	2437	15.41	15.44	18.44
	9	2452	13.42	13.41	16.43
	10	2457	9.69	9.67	12.69
	11	2462	2.89	2.92	5.92



Conducted Power (Full)_AX201_NB			
Bluetooth Ant 1			
Mode	Channel	Frequency	SISO Ant 1 Avg. Power
BDR	0	2402	8.57
	39	2441	8.94
	78	2480	9.23
LE	0	2402	5.42
	19	2440	5.64
	39	2480	5.63

Conducted Power (Full)_AX201_NB			
WLAN 5.3GHz Ant 0			
Mode	Channel	Frequency	SISO Ant 0 Avg. Power
802.11a	52	5260	19.88
	56	5280	19.91
	60	5300	19.42
	64	5320	17.21
802.11n HT20	52	5260	19.93
	56	5280	19.91
	60	5300	19.44
	64	5320	17.23
802.11n HT40	54	5270	19.97
	62	5310	16.49
802.11ac VHT80	58	5290	17.42
802.11ac VHT160	50	5250	14.69
802.11ax HE20	52	5260	19.91
	56	5280	19.87
	60	5300	19.42
	64	5320	17.18
802.11ax HE40	54	5270	19.94
	62	5310	16.44
802.11ax HE80	58	5290	17.42
802.11ax HE160	50	5250	14.73

Conducted Power (Full)_AX201_NB			
WLAN 5.3GHz Ant 1			
Mode	Channel	Frequency	SISO Ant 1 Avg. Power
802.11a	52	5260	19.89
	56	5280	19.91
	60	5300	19.38
	64	5320	17.19
802.11n HT20	52	5260	19.92
	56	5280	19.87
	60	5300	19.44
	64	5320	17.21
802.11n HT40	54	5270	19.95
	62	5310	16.48
802.11ac VHT80	58	5290	17.19
802.11ac VHT160	50	5250	14.88
802.11ax HE20	52	5260	19.91
	56	5280	19.89
	60	5300	19.42
	64	5320	17.23
802.11ax HE40	54	5270	19.94
	62	5310	16.44
802.11ax HE80	58	5290	17.11
802.11ax HE160	50	5250	14.96

Conducted Power (Full)_AX201_NB					
WLAN 5.3GHz Ant 0+1					
Mode	Channel	Frequency	MIMO Ant 0 Avg. Power	MIMO Ant 1 Avg. Power	MIMO Ant 0+1 Avg. Power
802.11n HT20	52	5260	18.21	18.24	21.24
	56	5280	17.89	17.91	20.91
	60	5300	16.45	16.42	19.45
	64	5320	13.32	13.41	16.38
802.11n HT40	54	5270	16.87	16.91	19.9
	62	5310	12.91	12.89	15.91
802.11ac VHT80	58	5290	13.85	13.92	16.9
802.11ac VHT160	50	5250	11.84	11.88	14.87
802.11ax HE20	52	5260	18.21	18.21	21.22
	56	5280	17.93	17.92	20.94
	60	5300	16.41	16.41	19.42
	64	5320	13.29	13.37	16.34
802.11ax HE40	54	5270	16.87	16.93	19.91
	62	5310	12.87	12.91	15.9
802.11ax HE80	58	5290	13.91	13.89	16.91
802.11ax HE160	50	5250	11.86	11.84	14.86

Conducted Power (Full)_AX201_NB			
WLAN 5.6GHz Ant 0			
Mode	Channel	Frequency	SISO Ant 0 Avg. Power
802.11a	100	5500	17.44
	116	5580	19.95
	120	5600	19.87
	124	5620	19.86
	132	5660	19.91
	140	5700	17.71
	144	5720	19.88
802.11n HT20	100	5500	17.39
	116	5580	19.93
	120	5600	19.85
	124	5620	19.91
	132	5660	19.82
	140	5700	17.71
	144	5720	19.37
802.11n HT40	102	5510	17.69
	110	5550	19.93
	118	5590	19.91
	126	5630	19.85
	134	5670	18.94
	142	5710	19.88
802.11ac VHT80	106	5530	17.72
	122	5610	19.49
	138	5690	19.97
802.11ac VHT160	114	5570	14.41
802.11ax HE20	100	5500	17.43
	116	5580	19.91
	120	5600	19.84
	124	5620	19.86
	132	5660	19.91
	140	5700	17.69
	144	5720	19.88
802.11ax HE40	102	5510	17.71
	110	5550	19.92
	118	5590	19.89
	126	5630	19.94
	134	5670	18.94
	142	5710	19.85
802.11ax HE80	106	5530	17.41
	122	5610	19.42
	138	5690	19.92
802.11ax HE160	114	5570	14.37

Conducted Power (Full)_AX201_NB			
WLAN 5.6GHz Ant 1			
Mode	Channel	Frequency	SISO Ant 1 Avg. Power
802.11a	100	5500	17.44
	116	5580	19.91
	120	5600	19.89
	124	5620	19.93
	132	5660	19.85
	140	5700	17.69
	144	5720	19.91
802.11n HT20	100	5500	17.44
	116	5580	19.94
	120	5600	19.87
	124	5620	19.79
	132	5660	19.92
	140	5700	17.69
	144	5720	19.42
802.11n HT40	102	5510	17.38
	110	5550	19.94
	118	5590	19.88
	126	5630	19.91
	134	5670	18.79
	142	5710	19.85
802.11ac VHT80	106	5530	17.73
	122	5610	19.45
	138	5690	19.97
802.11ac VHT160	114	5570	14.42
802.11ax HE20	100	5500	17.41
	116	5580	19.92
	120	5600	19.89
	124	5620	19.87
	132	5660	19.85
	140	5700	17.41
	144	5720	19.94
802.11ax HE40	102	5510	17.39
	110	5550	19.79
	118	5590	19.94
	126	5630	19.88
	134	5670	18.94
	142	5710	19.86
802.11ax HE80	106	5530	17.69
	122	5610	19.38
	138	5690	19.86
802.11ax HE160	114	5570	14.37

Conducted Power (Full)_AX201_NB					
WLAN 5.6GHz Ant 0+1					
Mode	Channel	Frequency	MIMO Ant 0 Avg. Power	MIMO Ant 1 Avg. Power	MIMO Ant 0+1 Avg. Power
802.11n HT20	100	5500	13.88	13.91	16.91
	116	5580	18.42	18.37	21.41
	120	5600	18.37	18.41	21.4
	124	5620	18.25	18.37	21.32
	132	5660	18.41	18.39	21.41
	140	5700	14.37	14.44	17.42
	144	5720	17.92	17.94	20.94
802.11n HT40	102	5510	13.86	13.96	16.92
	110	5550	18.39	18.42	21.42
	118	5590	18.41	18.37	21.4
	126	5630	18.29	18.41	21.36
	134	5670	16.91	16.94	19.94
802.11ac VHT80	142	5710	18.33	18.42	21.39
	106	5530	15.41	15.48	18.46
	122	5610	18.44	18.45	21.46
802.11ac VHT160	138	5690	18.46	18.48	21.48
	114	5570	11.86	11.93	14.91
802.11ax HE20	100	5500	13.91	13.94	16.94
	116	5580	18.37	18.37	21.38
	120	5600	18.41	18.41	21.42
	124	5620	18.37	18.39	21.39
	132	5660	18.41	18.44	21.44
	140	5700	13.92	13.92	16.93
	144	5720	17.96	17.87	20.93
802.11ax HE40	102	5510	13.86	13.79	16.84
	110	5550	18.42	18.27	21.36
	118	5590	18.37	18.31	21.35
	126	5630	18.29	18.42	21.37
	134	5670	16.91	16.94	19.94
	142	5710	18.41	18.37	21.4
802.11ax HE80	106	5530	15.37	15.28	18.34
	122	5610	18.28	18.39	21.35
	138	5690	18.39	18.41	21.41
802.11ax HE160	114	5570	11.91	11.96	14.95

Conducted Power (Full)_AX201_NB			
WLAN 5.8GHz Ant 0			
Mode	Channel	Frequency	SISO Ant 0 Avg. Power
802.11a	149	5745	19.96
	153	5765	19.87
	157	5785	19.92
	161	5805	19.88
	165	5825	19.95
802.11n HT20	149	5745	19.79
	153	5765	19.84
	157	5785	19.93
	161	5805	19.91
	165	5825	19.89
802.11n HT40	151	5755	19.99
	159	5795	19.96
802.11ac VHT80	155	5775	18.97
802.11ax HE20	149	5745	19.96
	153	5765	19.89
	157	5785	19.92
	161	5805	19.94
	165	5825	19.88
802.11ax HE40	151	5755	19.83
	159	5795	19.94
802.11ax HE80	155	5775	18.88

Conducted Power (Full)_AX201_NB			
WLAN 5.8GHz Ant 1			
Mode	Channel	Frequency	SISO Ant 1 Avg. Power
802.11a	149	5745	19.91
	153	5765	19.87
	157	5785	19.95
	161	5805	19.85
	165	5825	19.92
802.11n HT20	149	5745	19.88
	153	5765	19.79
	157	5785	19.84
	161	5805	19.93
	165	5825	19.83
802.11n HT40	151	5755	19.98
	159	5795	19.96
802.11ac VHT80	155	5775	18.94
802.11ax HE20	149	5745	19.88
	153	5765	19.94
	157	5785	19.78
	161	5805	19.86
	165	5825	19.91
802.11ax HE40	151	5755	19.85
	159	5795	19.93
802.11ax HE80	155	5775	18.89

Conducted Power (Full)_AX201_NB					
WLAN 5.8GHz Ant 0+1					
Mode	Channel	Frequency	MIMO Ant 0 Avg. Power	MIMO Ant 1 Avg. Power	MIMO Ant 0+1 Avg. Power
802.11n HT20	149	5745	17.89	17.87	20.89
	153	5765	17.91	17.86	20.9
	157	5785	17.86	17.79	20.84
	161	5805	17.75	17.92	20.85
	165	5825	17.85	17.93	20.9
802.11n HT40	151	5755	18.45	18.48	21.48
	159	5795	18.42	18.46	21.45
802.11ac VHT80	155	5775	16.38	16.44	19.42
802.11ax HE20	149	5745	17.91	17.92	20.93
	153	5765	17.69	17.89	20.8
	157	5785	17.91	17.93	20.93
	161	5805	17.93	17.84	20.9
	165	5825	17.95	17.92	20.95
802.11ax HE40	151	5755	18.42	18.37	21.41
	159	5795	18.37	18.41	21.4
802.11ax HE80	155	5775	16.44	16.42	19.44

Conducted Power (Full)_AX201_TB			
WLAN2.4GHz Ant 0			
Mode	Channel	Frequency	SISO Ant 0 Avg. Power
802.11b	1	2412	19.49
	6	2437	19.98
	11	2462	19.48
	12	2467	18.43
	13	2472	15.44
802.11g	1	2412	16.94
	6	2437	19.69
	11	2462	16.18
	12	2467	14.42
	13	2472	1.87
802.11n HT20	1	2412	16.94
	6	2437	19.69
	11	2462	15.88
	12	2467	14.92
	13	2472	1.89
802.11n HT40	3	2422	16.44
	6	2437	17.42
	9	2452	15.93
	10	2457	12.18
	11	2462	4.88
802.11ax HE20	1	2412	16.94
	6	2437	19.69
	11	2462	15.94
	12	2467	14.93
	13	2472	1.87
802.11ax HE40	3	2422	16.42
	6	2437	15.39
	9	2452	15.88
	10	2457	12.18
	11	2462	5.41

Conducted Power (Full)_AX201_TB			
WLAN2.4GHz Ant 1			
Mode	Channel	Frequency	SISO Ant 1 Avg. Power
802.11b	1	2412	19.49
	6	2437	19.98
	11	2462	19.42
	12	2467	18.47
	13	2472	15.49
802.11g	1	2412	16.88
	6	2437	19.71
	11	2462	16.44
	12	2467	14.92
	13	2472	1.38
802.11n HT20	1	2412	16.94
	6	2437	19.69
	11	2462	16.38
	12	2467	14.94
	13	2472	1.44
802.11n HT40	3	2422	16.42
	6	2437	17.41
	9	2452	15.92
	10	2457	11.88
	11	2462	4.87
802.11ax HE20	1	2412	16.91
	6	2437	19.69
	11	2462	15.91
	12	2467	14.89
	13	2472	1.38
802.11ax HE40	3	2422	16.47
	6	2437	16.41
	9	2452	15.88
	10	2457	11.91
	11	2462	4.41

Conducted Power (Full)_AX201_TB					
WLAN2.4GHz Ant 0+1					
Mode	Channel	Frequency	MIMO Ant 0 Avg. Power	MIMO Ant 1 Avg. Power	MIMO Ant 0+1 Avg. Power
802.11n HT20	1	2412	13.96	13.94	16.96
	6	2437	17.46	17.44	20.46
	11	2462	13.73	13.72	16.74
	12	2467	12.48	12.47	15.49
	13	2472	-1.14	-1.12	1.88
802.11n HT40	3	2422	13.68	13.69	16.70
	6	2437	15.44	15.41	18.44
	9	2452	13.42	13.52	16.48
	10	2457	9.69	9.66	12.69
	11	2462	1.89	1.87	4.89
802.11ax HE20	1	2412	13.91	13.89	16.91
	6	2437	17.38	17.42	20.41
	11	2462	13.69	13.69	16.70
	12	2467	12.41	12.41	15.42
	13	2472	-1.16	-1.14	1.86
802.11ax HE40	3	2422	13.69	13.69	16.70
	6	2437	15.41	15.44	18.44
	9	2452	13.42	13.41	16.43
	10	2457	9.69	9.67	12.69
	11	2462	2.89	2.92	5.92



Conducted Power (Full)_AX201_TB			
Bluetooth Ant 1			
Mode	Channel	Frequency	SISO Ant 1 Avg. Power
BDR	0	2402	8.57
	39	2441	8.94
	78	2480	9.23
LE	0	2402	5.42
	19	2440	5.64
	39	2480	5.63

Conducted Power (Full)_AX201_TB			
WLAN 5.3GHz Ant 0			
Mode	Channel	Frequency	SISO Ant 0 Avg. Power
802.11a	52	5260	15.93
	56	5280	15.91
	60	5300	15.87
	64	5320	15.93
802.11n HT20	52	5260	15.88
	56	5280	15.91
	60	5300	15.92
	64	5320	15.86
802.11n HT40	54	5270	15.92
	62	5310	15.87
802.11ac VHT80	58	5290	15.98
802.11ac VHT160	50	5250	14.69
802.11ax HE20	52	5260	15.88
	56	5280	15.93
	60	5300	15.84
	64	5320	15.86
802.11ax HE40	54	5270	15.91
	62	5310	15.92
802.11ax HE80	58	5290	15.88
802.11ax HE160	50	5250	14.69

Conducted Power (Full)_AX201_TB			
WLAN 5.3GHz Ant 1			
Mode	Channel	Frequency	SISO Ant 1 Avg. Power
802.11a	52	5260	15.91
	56	5280	15.89
	60	5300	15.93
	64	5320	15.87
802.11n HT20	52	5260	15.79
	56	5280	15.93
	60	5300	15.88
	64	5320	15.94
802.11n HT40	54	5270	15.83
	62	5310	15.91
802.11ac VHT80	58	5290	15.99
802.11ac VHT160	50	5250	14.91
802.11ax HE20	52	5260	15.88
	56	5280	15.86
	60	5300	15.96
	64	5320	15.94
802.11ax HE40	54	5270	15.92
	62	5310	15.93
802.11ax HE80	58	5290	15.88
802.11ax HE160	50	5250	14.93



Conducted Power (Full)_AX201_TB					
WLAN 5.3GHz Ant 0+1					
Mode	Channel	Frequency	MIMO Ant 0 Avg. Power	MIMO Ant 1 Avg. Power	MIMO Ant 0+1 Avg. Power
802.11n HT20	52	5260	15.88	15.89	18.9
	56	5280	15.91	15.93	18.93
	60	5300	15.87	15.84	18.87
	64	5320	13.44	13.42	16.44
802.11n HT40	54	5270	15.98	15.96	18.98
	62	5310	12.96	12.94	15.96
802.11ac VHT80	58	5290	13.85	13.92	16.9
802.11ac VHT160	50	5250	11.84	11.87	14.87
802.11ax HE20	52	5260	15.91	15.92	18.93
	56	5280	15.87	15.83	18.86
	60	5300	15.83	15.92	18.89
	64	5320	13.41	13.41	16.42
802.11ax HE40	54	5270	15.92	15.85	18.9
	62	5310	12.84	12.91	15.89
802.11ax HE80	58	5290	13.89	13.89	16.9
802.11ax HE160	50	5250	11.92	11.91	14.93

Conducted Power (Full)_AX201_TB			
WLAN 5.6GHz Ant 0			
Mode	Channel	Frequency	SISO Ant 0 Avg. Power
802.11a	100	5500	15.92
	116	5580	15.87
	120	5600	15.93
	124	5620	15.84
	132	5660	15.79
	140	5700	15.92
	144	5720	15.84
802.11n HT20	100	5500	15.88
	116	5580	15.76
	120	5600	15.92
	124	5620	15.84
	132	5660	15.79
	140	5700	15.93
	144	5720	15.86
802.11n HT40	102	5510	15.94
	110	5550	15.92
	118	5590	15.88
	126	5630	15.79
	134	5670	15.94
	142	5710	15.91
802.11ac VHT80	106	5530	15.97
	122	5610	15.95
	138	5690	15.99
802.11ac VHT160	114	5570	14.41
802.11ax HE20	100	5500	15.84
	116	5580	15.91
	120	5600	15.88
	124	5620	15.93
	132	5660	15.84
	140	5700	15.79
	144	5720	15.92
802.11ax HE40	102	5510	15.88
	110	5550	15.92
	118	5590	15.83
	126	5630	15.87
	134	5670	15.92
	142	5710	15.89
802.11ax HE80	106	5530	15.82
	122	5610	15.79
	138	5690	15.92
802.11ax HE160	114	5570	14.42

Conducted Power (Full)_AX201_TB			
WLAN 5.6GHz Ant 1			
Mode	Channel	Frequency	SISO Ant 1 Avg. Power
802.11a	100	5500	15.95
	116	5580	15.87
	120	5600	15.91
	124	5620	15.88
	132	5660	15.79
	140	5700	15.93
	144	5720	15.82
802.11n HT20	100	5500	15.94
	116	5580	15.86
	120	5600	15.91
	124	5620	15.88
	132	5660	15.76
	140	5700	15.92
	144	5720	15.93
802.11n HT40	102	5510	15.88
	110	5550	15.82
	118	5590	15.94
	126	5630	15.79
	134	5670	15.91
	142	5710	15.83
802.11ac VHT80	106	5530	15.96
	122	5610	15.94
	138	5690	15.98
802.11ac VHT160	114	5570	14.41
802.11ax HE20	100	5500	15.89
	116	5580	15.92
	120	5600	15.79
	124	5620	15.91
	132	5660	15.86
	140	5700	15.92
	144	5720	15.88
802.11ax HE40	102	5510	15.79
	110	5550	15.94
	118	5590	15.86
	126	5630	15.93
	134	5670	15.87
	142	5710	15.79
802.11ax HE80	106	5530	15.92
	122	5610	15.84
	138	5690	15.88
802.11ax HE160	114	5570	14.47

Conducted Power (Full)_AX201_TB					
WLAN 5.6GHz Ant 0+1					
Mode	Channel	Frequency	MIMO Ant 0 Avg. Power	MIMO Ant 1 Avg. Power	MIMO Ant 0+1 Avg. Power
802.11n HT20	100	5500	13.88	13.86	16.88
	116	5580	15.92	15.91	18.93
	120	5600	15.84	15.84	18.85
	124	5620	15.91	15.93	18.93
	132	5660	15.83	15.85	18.85
	140	5700	14.41	14.42	17.43
	144	5720	15.91	15.86	18.9
802.11n HT40	102	5510	13.89	13.92	16.92
	110	5550	15.92	15.92	18.93
	118	5590	15.88	15.88	18.89
	126	5630	15.93	15.86	18.91
	134	5670	15.84	15.92	18.89
	142	5710	15.85	15.88	18.88
802.11ac VHT80	106	5530	15.48	15.46	18.48
	122	5610	15.93	15.92	18.94
	138	5690	15.96	15.94	18.96
802.11ac VHT160	114	5570	11.91	11.93	14.93
802.11ax HE20	100	5500	13.89	13.89	16.9
	116	5580	15.84	15.89	18.88
	120	5600	15.91	15.86	18.9
	124	5620	15.84	15.91	18.89
	132	5660	15.93	15.83	18.89
	140	5700	13.87	13.86	16.88
	144	5720	15.91	15.91	18.92
802.11ax HE40	102	5510	13.85	13.84	16.86
	110	5550	15.93	15.88	18.92
	118	5590	15.84	15.83	18.85
	126	5630	15.83	15.87	18.86
	134	5670	15.91	15.91	18.92
	142	5710	15.86	15.89	18.89
802.11ax HE80	106	5530	15.41	15.39	18.41
	122	5610	15.92	15.91	18.93
	138	5690	15.86	15.86	18.87
802.11ax HE160	114	5570	11.88	11.86	14.88

Conducted Power (Full)_AX201_TB			
WLAN 5.8GHz Ant 0			
Mode	Channel	Frequency	SISO Ant 0 Avg. Power
802.11a	149	5745	15.96
	153	5765	15.89
	157	5785	15.94
	161	5805	15.83
	165	5825	15.91
802.11n HT20	149	5745	15.79
	153	5765	15.94
	157	5785	15.88
	161	5805	15.86
	165	5825	15.92
802.11n HT40	151	5755	15.77
	159	5795	15.86
802.11ac VHT80	155	5775	15.98
802.11ax HE20	149	5745	15.93
	153	5765	15.88
	157	5785	15.74
	161	5805	15.94
	165	5825	15.86
802.11ax HE40	151	5755	15.79
	159	5795	15.93
802.11ax HE80	155	5775	15.88

Conducted Power (Full)_AX201_TB			
WLAN 5.8GHz Ant 1			
Mode	Channel	Frequency	SISO Ant 1 Avg. Power
802.11a	149	5745	15.88
	153	5765	15.91
	157	5785	15.79
	161	5805	15.93
	165	5825	15.84
802.11n HT20	149	5745	15.94
	153	5765	15.88
	157	5785	15.79
	161	5805	15.92
	165	5825	15.93
802.11n HT40	151	5755	15.79
	159	5795	15.91
802.11ac VHT80	155	5775	15.98
802.11ax HE20	149	5745	15.86
	153	5765	15.94
	157	5785	15.88
	161	5805	15.79
	165	5825	15.92
802.11ax HE40	151	5755	15.87
	159	5795	15.93
802.11ax HE80	155	5775	15.87

Conducted Power (Full)_AX201_TB					
WLAN 5.8GHz Ant 0+1					
Mode	Channel	Frequency	MIMO Ant 0 Avg. Power	MIMO Ant 1 Avg. Power	MIMO Ant 0+1 Avg. Power
802.11n HT20	149	5745	15.88	15.88	18.89
	153	5765	15.91	15.92	18.93
	157	5785	15.86	15.79	18.84
	161	5805	15.93	15.86	18.91
	165	5825	15.84	15.92	18.89
802.11n HT40	151	5755	15.79	15.84	18.83
	159	5795	15.84	15.79	18.83
802.11ac VHT80	155	5775	15.97	15.94	18.97
802.11ax HE20	149	5745	15.91	15.85	18.89
	153	5765	15.88	15.79	18.85
	157	5785	15.79	15.69	18.75
	161	5805	15.92	15.77	18.86
	165	5825	15.83	15.91	18.88
802.11ax HE40	151	5755	15.84	15.86	18.86
	159	5795	15.94	15.94	18.95
802.11ax HE80	155	5775	15.89	15.83	18.87



BUREAU
VERITAS

Appendix F. SAR Test Result

SAR Results for Body Exposure Condition.

Note:

1. SAR testing for WLAN was performed on the maximum power mode.
2. The "< 0.001" means there is no SAR value or the SAR is too low to be measured.



Body SAR Test Result_AX201NGW

System & Position						DUT Configuration		SAR							
Plot No.	Band	Mode	Test Position	Separation Distance (mm)	Channel	Sample	Ant Status	Duty Cycle	Crest Factor	Max. Tune-up Power (dBm)	Measured Conducted Power (dBm)	Scaling Factor	Power Drift (dB)	Measured SAR-1g (W/kg)	Scaled SAR-1g (W/kg)
	WLAN2.4G	802.11b	Bottom of Laptop	0	6	1	Ant 0	97.20	1.03	20.00	19.98	1.00	0	<0.001	0.00
	WLAN2.4G	802.11b	Bottom of Laptop	0	6	1	Ant 1	98.28	1.02	20.00	19.98	1.00	0	<0.001	0.00
	WLAN2.4G	802.11n HT20	Bottom of Laptop	0	6	1	Ant 0+1	99.10	1.01	20.50	20.46	1.01	0	<0.001	0.00
	WLAN2.4G	802.11b	Rear Face	0	6	1	Ant 0	97.20	1.03	20.00	19.98	1.00	0.02	0.19	0.20
	WLAN2.4G	802.11b	Left Side	0	6	1	Ant 0	97.20	1.03	20.00	19.98	1.00	0	<0.001	0.00
	WLAN2.4G	802.11b	Right Side	0	6	1	Ant 0	97.20	1.03	20.00	19.98	1.00	0.17	0.198	0.20
1	WLAN2.4G	802.11b	Top Side	0	6	1	Ant 0	97.20	1.03	20.00	19.98	1.00	0.02	0.447	0.46
	WLAN2.4G	802.11b	Bottom Side	0	6	1	Ant 0	97.20	1.03	20.00	19.98	1.00	0	<0.001	0.00
	WLAN2.4G	802.11b	Rear Face	0	6	1	Ant 1	98.28	1.02	20.00	19.98	1.00	0.04	0.144	0.15
	WLAN2.4G	802.11b	Left Side	0	6	1	Ant 1	98.28	1.02	20.00	19.98	1.00	0.13	0.132	0.13
	WLAN2.4G	802.11b	Right Side	0	6	1	Ant 1	98.28	1.02	20.00	19.98	1.00	0	<0.001	0.00
	WLAN2.4G	802.11b	Top Side	0	6	1	Ant 1	98.28	1.02	20.00	19.98	1.00	-0.08	0.441	0.45
	WLAN2.4G	802.11b	Bottom Side	0	6	1	Ant 1	98.28	1.02	20.00	19.98	1.00	0	<0.001	0.00
	WLAN2.4G	802.11n HT20	Rear Face	0	6	1	Ant 0+1	99.10	1.01	20.50	20.46	1.01	-0.18	0.151	0.15
	WLAN2.4G	802.11n HT20	Left Side	0	6	1	Ant 0+1	99.10	1.01	20.50	20.46	1.01	0	<0.001	0.00
	WLAN2.4G	802.11n HT20	Right Side	0	6	1	Ant 0+1	99.10	1.01	20.50	20.46	1.01	-0.14	0.132	0.13
	WLAN2.4G	802.11n HT20	Top Side	0	6	1	Ant 0+1	99.10	1.01	20.50	20.46	1.01	-0.04	0.214	0.22
	WLAN2.4G	802.11n HT20	Bottom Side	0	6	1	Ant 0+1	99.10	1.01	20.50	20.46	1.01	0	<0.001	0.00
	WLAN2.4G	802.11b	Top Side	0	1	1	Ant 0	97.20	1.03	19.50	19.49	1.00	0.19	0.239	0.25
	WLAN2.4G	802.11b	Top Side	0	11	1	Ant 0	97.20	1.03	19.50	19.48	1.00	-0.09	0.223	0.23
	WLAN2.4G	802.11b	Top Side	0	12	1	Ant 0	97.20	1.03	18.50	18.43	1.02	-0.14	0.151	0.16
	WLAN2.4G	802.11b	Top Side	0	13	1	Ant 0	97.20	1.03	15.50	15.44	1.01	-0.19	0.066	0.07
	WLAN2.4G	802.11b	Top Side	0	6	2	Ant 0	97.20	1.03	20.00	19.98	1.00	0.06	0.425	0.44
															-



Body SAR Test Result_AX201NGW

Body SAR Test Result_AX201NGW															
System & Position						DUT Configuration		SAR							
Plot No.	Band	Mode	Test Position	Separation Distance (mm)	Channel	Sample	Ant Status	Duty Cycle	Crest Factor	Max. Tune-up Power (dBm)	Measured Conducted Power (dBm)	Scaling Factor	Power Drift (dB)	Measured SAR-1g (W/kg)	Scaled SAR-1g (W/kg)
	WLAN5.3G	802.11n HT40	Bottom of Laptop	0	54	1	Ant 0	97.77	1.02	20.00	19.97	1.01	0	<0.001	0.00
	WLAN5.3G	802.11n HT40	Bottom of Laptop	0	54	1	Ant 1	97.77	1.02	20.00	19.95	1.01	0	<0.001	0.00
	WLAN5.3G	802.11n HT20	Bottom of Laptop	0	52	1	Ant 0+1	99.10	1.01	21.25	21.24	1.00	0	<0.001	0.00
	WLAN5.3G	802.11ac VHT80	Rear Face	0	58	1	Ant 0	97.76	1.02	16.00	15.98	1.00	0.19	0.339	0.35
	WLAN5.3G	802.11ac VHT80	Left Side	0	58	1	Ant 0	97.76	1.02	16.00	15.98	1.00	0	<0.001	0.00
	WLAN5.3G	802.11ac VHT80	Right Side	0	58	1	Ant 0	97.76	1.02	16.00	15.98	1.00	0.1	0.076	0.08
	WLAN5.3G	802.11ac VHT80	Top Side	0	58	1	Ant 0	97.76	1.02	16.00	15.98	1.00	0.01	1.07	1.09
	WLAN5.3G	802.11ac VHT80	Bottom Side	0	58	1	Ant 0	97.76	1.02	16.00	15.98	1.00	0	<0.001	0.00
	WLAN5.3G	802.11ac VHT80	Rear Face	0	58	1	Ant 1	97.26	1.03	16.00	15.99	1.00	-0.18	0.162	0.17
	WLAN5.3G	802.11ac VHT80	Left Side	0	58	1	Ant 1	97.26	1.03	16.00	15.99	1.00	0.17	0.053	0.05
	WLAN5.3G	802.11ac VHT80	Right Side	0	58	1	Ant 1	97.26	1.03	16.00	15.99	1.00	0	<0.001	0.00
2	WLAN5.3G	802.11ac VHT80	Top Side	0	58	1	Ant 1	97.26	1.03	16.00	15.99	1.00	-0.06	1.11	1.14
	WLAN5.3G	802.11ac VHT80	Bottom Side	0	58	1	Ant 1	97.26	1.03	16.00	15.99	1.00	0	<0.001	0.00
	WLAN5.3G	802.11n HT40	Rear Face	0	54	1	Ant 0+1	99.20	1.01	19.00	18.98	1.00	-0.09	0.266	0.27
	WLAN5.3G	802.11n HT40	Left Side	0	54	1	Ant 0+1	99.20	1.01	19.00	18.98	1.00	0	<0.001	0.00
	WLAN5.3G	802.11n HT40	Right Side	0	54	1	Ant 0+1	99.20	1.01	19.00	18.98	1.00	-0.07	0.066	0.07
	WLAN5.3G	802.11n HT40	Top Side	0	54	1	Ant 0+1	99.20	1.01	19.00	18.98	1.00	0.1	1.06	1.07
	WLAN5.3G	802.11n HT40	Bottom Side	0	54	1	Ant 0+1	99.20	1.01	19.00	18.98	1.00	0	<0.001	0.00
	WLAN5.3G	802.11n HT40	Top Side	0	62	1	Ant 0+1	99.20	1.01	16.00	15.96	1.01	0.05	0.964	0.98
	WLAN5.3G	802.11ac VHT80	Top Side	0	58	2	Ant 1	97.26	1.03	16.00	15.99	1.00	-0.01	1.03	1.06
	WLAN5.3G	802.11ac VHT80	Top Side	0	58	1	Ant 1	97.26	1.03	16.00	15.99	1.00	-0.03	1.07	1.10



Body SAR Test Result_AX201NGW

System & Position						DUT Configuration		SAR							
Plot No.	Band	Mode	Test Position	Separation Distance (mm)	Channel	Sample	Ant Status	Duty Cycle	Crest Factor	Max. Tune-up Power (dBm)	Measured Conducted Power (dBm)	Scaling Factor	Power Drift (dB)	Measured SAR-1g (W/kg)	Scaled SAR-1g (W/kg)
	WLAN5.6G	802.11ac VHT80	Bottom of Laptop	0	138	1	Ant 0	97.60	1.02	20.00	19.97	1.01	0	<0.001	0.00
	WLAN5.6G	802.11ac VHT80	Bottom of Laptop	0	138	1	Ant 1	97.26	1.03	20.00	19.97	1.01	0	<0.001	0.00
	WLAN5.6G	802.11ac VHT80	Bottom of Laptop	0	138	1	Ant 0+1	99.00	1.01	21.50	21.48	1.00	0	<0.001	0.00
	WLAN5.6G	802.11ac VHT80	Rear Face	0	138	1	Ant 0	97.60	1.02	16.00	15.99	1.00	0.12	0.393	0.40
	WLAN5.6G	802.11ac VHT80	Left Side	0	138	1	Ant 0	97.60	1.02	16.00	15.99	1.00	0	<0.001	0.00
	WLAN5.6G	802.11ac VHT80	Right Side	0	138	1	Ant 0	97.60	1.02	16.00	15.99	1.00	-0.14	0.148	0.15
	WLAN5.6G	802.11ac VHT80	Top Side	0	138	1	Ant 0	97.60	1.02	16.00	15.99	1.00	0.01	1.06	1.08
	WLAN5.6G	802.11ac VHT80	Bottom Side	0	138	1	Ant 0	97.60	1.02	16.00	15.99	1.00	0	<0.001	0.00
	WLAN5.6G	802.11ac VHT80	Rear Face	0	138	1	Ant 1	97.26	1.03	16.00	15.98	1.00	0.01	0.207	0.21
	WLAN5.6G	802.11ac VHT80	Left Side	0	138	1	Ant 1	97.26	1.03	16.00	15.98	1.00	0	<0.001	0.00
	WLAN5.6G	802.11ac VHT80	Right Side	0	138	1	Ant 1	97.26	1.03	16.00	15.98	1.00	0	<0.001	0.00
3	WLAN5.6G	802.11ac VHT80	Top Side	0	138	1	Ant 1	97.26	1.03	16.00	15.98	1.00	-0.04	1.12	1.15
	WLAN5.6G	802.11ac VHT80	Bottom Side	0	138	1	Ant 1	97.26	1.03	16.00	15.98	1.00	0	<0.001	0.00
	WLAN5.6G	802.11ac VHT80	Rear Face	0	138	1	Ant 0+1	99.00	1.01	19.00	18.96	1.01	0.17	0.366	0.37
	WLAN5.6G	802.11ac VHT80	Left Side	0	138	1	Ant 0+1	99.00	1.01	19.00	18.96	1.01	0	<0.001	0.00
	WLAN5.6G	802.11ac VHT80	Right Side	0	138	1	Ant 0+1	99.00	1.01	19.00	18.96	1.01	-0.05	0.174	0.18
	WLAN5.6G	802.11ac VHT80	Top Side	0	138	1	Ant 0+1	99.00	1.01	19.00	18.96	1.01	-0.05	0.916	0.93
	WLAN5.6G	802.11ac VHT80	Bottom Side	0	138	1	Ant 0+1	99.00	1.01	19.00	18.96	1.01	0	<0.001	0.00
	WLAN5.6G	802.11ac VHT80	Top Side	0	106	1	Ant 0	97.60	1.02	16.00	15.97	1.01	0.07	0.889	0.92
	WLAN5.6G	802.11ac VHT80	Top Side	0	122	1	Ant 0	97.60	1.02	16.00	15.95	1.01	0.01	0.907	0.93
	WLAN5.6G	802.11ac VHT80	Top Side	0	106	1	Ant 1	97.26	1.03	16.00	15.96	1.01	0.16	0.849	0.88
	WLAN5.6G	802.11ac VHT80	Top Side	0	122	1	Ant 1	97.26	1.03	16.00	15.94	1.01	0.13	0.906	0.94
	WLAN5.6G	802.11ac VHT80	Top Side	0	106	1	Ant 0+1	99.00	1.01	18.50	18.48	1.00	-0.05	0.812	0.82
	WLAN5.6G	802.11ac VHT80	Top Side	0	122	1	Ant 0+1	99.00	1.01	19.00	18.94	1.01	-0.05	0.755	0.77
	WLAN5.6G	802.11ac VHT80	Top Side	0	138	2	Ant 1	97.26	1.03	16.00	15.98	1.00	-0.04	0.916	0.94
	WLAN5.6G	802.11ac VHT80	Top Side	0	106	2	Ant 1	97.26	1.03	16.00	15.96	1.01	-0.04	0.855	0.89
	WLAN5.6G	802.11ac VHT80	Top Side	0	122	2	Ant 1	97.26	1.03	16.00	15.94	1.01	-0.04	0.813	0.85
	WLAN5.6G	802.11ac VHT80	Top Side	0	138	1	Ant 1	97.26	1.03	16.00	15.98	1.00	-0.07	1.09	1.12



Body SAR Test Result_AX201NGW

Body SAR Test Result_AX201NGW															
System & Position						DUT Configuration		SAR							
Plot No.	Band	Mode	Test Position	Separation Distance (mm)	Channel	Sample	Ant Status	Duty Cycle	Crest Factor	Max. Tune-up Power (dBm)	Measured Conducted Power (dBm)	Scaling Factor	Power Drift (dB)	Measured SAR-1g (W/kg)	Scaled SAR-1g (W/kg)
	WLAN5.8G	802.11n HT40	Bottom of Laptop	0	151	1	Ant 0	97.77	1.02	20.00	19.99	1.00	0	<0.001	0.00
	WLAN5.8G	802.11n HT40	Bottom of Laptop	0	151	1	Ant 1	97.77	1.02	20.00	19.98	1.00	0	<0.001	0.00
	WLAN5.8G	802.11n HT40	Bottom of Laptop	0	151	1	Ant 0+1	99.20	1.01	21.50	21.48	1.00	0	<0.001	0.00
	WLAN5.8G	802.11ac VHT80	Rear Face	0	155	1	Ant 0	97.60	1.02	16.00	15.98	1.00	0.14	0.299	0.30
	WLAN5.8G	802.11ac VHT80	Left Side	0	155	1	Ant 0	97.60	1.02	16.00	15.98	1.00	0	<0.001	0.00
	WLAN5.8G	802.11ac VHT80	Right Side	0	155	1	Ant 0	97.60	1.02	16.00	15.98	1.00	-0.19	0.146	0.15
	WLAN5.8G	802.11ac VHT80	Top Side	0	155	1	Ant 0	97.60	1.02	16.00	15.98	1.00	0.04	1.02	1.04
	WLAN5.8G	802.11ac VHT80	Bottom Side	0	155	1	Ant 0	97.60	1.02	16.00	15.98	1.00	0	<0.001	0.00
	WLAN5.8G	802.11ac VHT80	Rear Face	0	155	1	Ant 1	97.26	1.03	16.00	15.98	1.00	0.01	0.102	0.11
	WLAN5.8G	802.11ac VHT80	Left Side	0	155	1	Ant 1	97.26	1.03	16.00	15.98	1.00	-0.13	0.042	0.04
	WLAN5.8G	802.11ac VHT80	Right Side	0	155	1	Ant 1	97.26	1.03	16.00	15.98	1.00	0	<0.001	0.00
4	WLAN5.8G	802.11ac VHT80	Top Side	0	155	1	Ant 1	97.26	1.03	16.00	15.98	1.00	-0.08	1.04	1.07
	WLAN5.8G	802.11ac VHT80	Bottom Side	0	155	1	Ant 1	97.26	1.03	16.00	15.98	1.00	0	<0.001	0.00
	WLAN5.8G	802.11ac VHT80	Rear Face	0	155	1	Ant 0+1	99.00	1.01	19.00	18.97	1.01	-0.19	0.305	0.31
	WLAN5.8G	802.11ac VHT80	Left Side	0	155	1	Ant 0+1	99.00	1.01	19.00	18.97	1.01	0.01	0.099	0.10
	WLAN5.8G	802.11ac VHT80	Right Side	0	155	1	Ant 0+1	99.00	1.01	19.00	18.97	1.01	-0.19	0.089	0.09
	WLAN5.8G	802.11ac VHT80	Top Side	0	155	1	Ant 0+1	99.00	1.01	19.00	18.97	1.01	-0.06	0.898	0.92
	WLAN5.8G	802.11ac VHT80	Bottom Side	0	155	1	Ant 0+1	99.00	1.01	19.00	18.97	1.01	0	<0.001	0.00
	WLAN5.8G	802.11ac VHT80	Top Side	0	155	2	Ant 1	97.26	1.03	16.00	15.98	1.00	0.06	0.983	1.01
	WLAN5.8G	802.11ac VHT80	Top Side	0	155	1	Ant 1	97.26	1.03	16.00	15.98	1.00	-0.09	1.01	1.04



Body SAR Test Result_AX201NGW

System & Position						DUT Configuration		SAR							
Plot No.	Band	Mode	Test Position	Separation Distance (mm)	Channel	Sample	Ant Status	Duty Cycle	Crest Factor	Max. Tune-up Power (dBm)	Measured Conducted Power (dBm)	Scaling Factor	Power Drift (dB)	Measured SAR-1g (W/kg)	Scaled SAR-1g (W/kg)
	BT	BDR	Bottom of Laptop	0	78	1	Ant 1	77.01	1.30	10.00	9.23	1.19	0	<0.001	0.00
	BT	BDR	Rear Face	0	78	1	Ant 1	77.01	1.30	10.00	9.23	1.19	0	<0.001	0.00
	BT	BDR	Left Side	0	78	1	Ant 1	77.01	1.30	10.00	9.23	1.19	0	<0.001	0.00
	BT	BDR	Right Side	0	78	1	Ant 1	77.01	1.30	10.00	9.23	1.19	0	<0.001	0.00
	BT	BDR	Top Side	0	78	1	Ant 1	77.01	1.30	10.00	9.23	1.19	-0.01	0.029	0.04
	BT	BDR	Bottom Side	0	78	1	Ant 1	77.01	1.30	10.00	9.23	1.19	0	<0.001	0.00
	BT	BDR	Top Side	0	0	1	Ant 1	77.01	1.30	10.00	8.57	1.39	-0.1	0.023	0.04
5	BT	BDR	Top Side	0	39	1	Ant 1	77.01	1.30	10.00	8.94	1.28	-0.09	0.031	0.05
	BT	BDR	Top Side	0	39	2	Ant 1	77.01	1.30	10.00	8.94	1.28	-0.1	0.026	0.04
														-	-

Appendix L. Verifying the Mechanism Operation of Gravity-sensor

The power verified by LCD angle changed are shown as below.

Note:

1. Only WLAN 5G had supported G-sensor and the selection of G-Sensor experimental verification is based on the test result of worst SAR value.

1.Hall Effect and Gravity-Sensor (WLAN 5.3G_802.11ac_VHT80_Ant 0_Ch58)

Orientation 1	<A> From lid close mode 0 degrees, open the screen in 10 degree step until laptop mode is obtained.																																												
Laptop mode	Degree	0	10	20	30	40	50	60	70	80	90	100	110	120	130	140	150	160	170	180	190	200	210	220	230	240	250	260	270	280	290	300	310	320	330	340	350	360							
	Power	15.81	15.76	15.74	15.72	19.66																																							
Range of trigger angle	 Than continue A trigger move back by 5 degree, until lid closed mode is obtained.																																												
0~190	Degree	0	5	10	15	20	25	30	40	185	190	195	200	205	210	215	220	225	230	235	240	245	250	255	260	265	270	275	280	330	335	340	345	350	355	360							
	Power	15.81	15.75	15.76	15.74	15.74	15.79	15.72	19.66																																				
	<C>From B trigger open the screen in 1 degree steps until laptop mode is obtained and continue opening the screen in 1 degree steps at least 5 degrees.																																												
	Degree	0	10	20	30	31	32	33	34	35	189	190	191	192	193	194	195	196	197	198	199	200	354	355	356	357	358	359	360														
	Power				15.72	19.66	19.66	19.64	19.61	19.63																																			
	<D> Then continue C opening the screen in 10 degree steps until tablet mode is obtained.																																												
	Degree	0	5	10	20	30	40	50																																				
	Power					15.72	19.66	19.64																																					
Orientation 2	<A> From tablet mode 360 degrees, Close mode on screen in 10 degree step until laptop mode is obtained.																																												
Tablet mode	Degree	360	350	340	250	240	230	220	210	200	190	180	170	160	150	140	130	120	110	100	90	80	70	60	50	40	30	20	10	0														
	Power	15.72	15.71	15.71		15.64	19.61	19.61																																					
Range of trigger angle	 Than continue A trigger move back by 5 degree, until tablet mode is reobtained.																																												
191~360	Degree	360	355	250	245	240	235	230	225	220	215	210	205	200	195	190	185	180	175	170	165	160	155	150	145	30	25	20	15	10	5	0											
	Power					15.64	15.63	19.61																																					
	<C>From B trigger close the screen in 1 degree steps until laptop mode is obtained and continue closing the screen in 1 degree steps at least 5 degrees.																																												
	Degree	360	359	358	357	356	355	354	353	352	351	241	240	239	238	237	236	235																									
	Power												15.74	19.61	19.64	19.62	19.62	19.61	19.64																									
	<D> Then continue C closing the screen in 10 degree steps until lid close mode is obtained.																																												
	Degree	360	350	340	330	320	245	240	235	230	220	210																															
	Power														15.63	19.61	19.64	19.64	19.62	19.59																								

1.Hall Effect and Gravity-Sensor (WLAN 5.6G_802.11ac_VHT80_Ant 1_Ch138)

Orientation 1		<A> From lid close mode 0 degrees, open the screen in 10 degree step until laptop mode is obtained.																																													
Laptop mode	Degree	0	10	20	30	40	50	60	70	80	90	100	110	120	130	140	150	160	170	180	190	200	210	220	230	240	250	260	270	280	290	300	310	320	330	340	350	360									
	Power	15.81	15.76	15.79	15.79	19.66																																									
Range of trigger angle		 Than continue A trigger move back by 5 degree, until lid closed mode is obtained.																																													
0~180	Degree	0	5	10	15	20	25	30	40	185	190	195	200	205	210	215	220	225	230	235	240	245	250	255	260	265	270	275	280	330	335	340	345	350	355	360									
	Power	15.81	15.75	15.76	15.76	15.79	15.79	19.66																																						
		<C>From B trigger open the screen in 1 degree steps until laptop mode is obtained and continue opening the screen in 1 degree steps at least 5 degrees.																																													
	Degree	0	10	20	30	31	32	33	34	35	189	190	191	192	193	194	195	196	197	198	199	200	354	355	356	357	358	359	360																
	Power				15.79	19.66	19.66	19.64	19.61	19.63																																				
		<D> Then continue C opening the screen in 10 degree steps until tablet mode is obtained.																																													
	Degree	0	5	10	20	30	40	50																																						
	Power					15.79	19.66	19.64																																						
Orientation 2		<A> From tablet mode 360 degrees, Close mode on screen in 10 degree step until laptop mode is obtained.																																													
Tablet mode	Degree	360	350	340	250	240	230	220	210	200	190	180	170	160	150	140	130	120	110	100	90	80	70	60	50	40	30	20	10	0																
	Power	15.72	15.71	15.71	15.64	19.61	19.61																																							
Range of trigger angle		 Than continue A trigger move back by 5 degree, until tablet mode is reobtained.																																													
191~360	Degree	360	355	250	245	240	235	230	225	220	215	210	205	200	195	190	185	180	175	170	165	160	155	150	145	30	25	20	15	10	5	0													
	Power			15.64	15.63	19.61																																								
		<C>From B trigger close the screen in 1 degree steps until laptop mode is obtained and continue closing the screen in 1 degree steps at least 5 degrees.																																													
	Degree	360	359	358	357	356	355	354	353	352	351	241	240	239	238	237	236	235																											
	Power											15.74	19.61	19.64	19.62	19.62	19.61	19.64																											
		<D> Then continue C closing the screen in 10 degree steps until lid close mode is obtained.																																													
	Degree	360	350	340	330	320	245	240	235	230	220	210																																	
	Power						15.63	19.61	19.64	19.64	19.62	19.59																																	