

MEASUREMENT REPORT
of
for
Class II permissive change

Applicant : ASUSTek Computer Inc.
EUT : 4-Port Wi-Fi Ethernet Router
Model No. : AAM6XXXVI-PD1, AAM6XXXVI-XXX,
6218-I3-XXX, 6218-I4-XXX (X= 0~9, A~Z)
FCC ID : MSQAAM6KVIPD1

Tested by :

Training Research Co., Ltd.

TEL : 886-2-26935155 FAX : 886-2-26934440

No. 255, Nanyang Street, Shijr, Taipei Hsien 221, Taiwan, R.O.C.

CERTIFICATION

We here by verify that:

The test data, data evaluation, test procedures and equipment configurations shown in this report were made mainly in accordance with the procedures given in ANSI C63.4 (2003) as a reference. All test were conducted by *Training Research Co., Ltd.*, 255 Nanyang Street, Shijr, Taipei Hsien 221, Taiwan, R.O.C. Also, we attest to the accuracy of each.


We further submit that the energy emitted by the sample EUT tested as described in the report is **in compliance with** the technical requirements set forth in the FCC Rules Part 15 Subpart C Section 15.247.

Applicant : ASUSTek Computer Inc.
Applicant Address : 4F1., No. 150, Li-Te Rd., Peitou, Taipei, Taiwan, R.O.C.
Product Name : 4-Port Wi-Fi Ethernet Router
Model : AAM6XXXVI-PD1, AAM6XXXVI-XXX, 6218-I3-XXX,
6218-I4-XXX (X= 0~9, A~Z)
Report No. : P5515090289
Test Date : December 10, 2009

Prepared by:


Jack Tsai

Approved by:


Frank Tsai

Conditions of issue :

- (1) **This test report shall not be reproduced except in full, without written approval of TRC. And the test result contained within this report only relate to the sample submitted for testing.**
- (2) **This report must not be used by the client to claim product endorsement by NVLAP or any agency of U.S. Government.**
- (3) **This test report, measurements made by TRC are traceable to the NIST only Conducted and Radiated Method.**



Tables of Contents

I. GENERAL	4
1.1 Introduction	4
1.2 Description of EUT	4
1.3 Test method	5
1.4 Description of Support Equipment	6
1.5 Configuration of System Under Test	9
1.6 Verify the Frequency and Channel	10
1.7 Test Procedure	11
1.8 Location of the Test Site	11
1.9 General Test Condition	11
II. Section 15.203 : Antenna Requirement	12
III. Section 15.207 : Power Line Conducted Emissions for AC Powered Units	13
3.1 Test Condition & Setup	13
3.2 List of Test Instruments	14
3.3 Test Result of Conducted Emissions	15
IEEE 802.11b TX mode	15
IEEE 802.11g TX mode	17
IV. Section 15.247(a) : Technical Description of the EUT	19
V. Section 15.247(c) : Spurious Emissions (Radiated)	20
5.1 Test Condition & Setup	20
5.2 List of Test Instruments	22
5.3 Test Result of Spurious Radiated Emissions	23
IEEE 802.11b TX mode	23
IEEE 802.11g TX mode	29
5.4 Test Result of Bandedge	35
IEEE 802.11b TX mode	36
IEEE 802.11g TX mode	38

I . GENERAL

1.1 Introduction

The following measurement report is submitted on behalf of applicant in support that the certification in accordance with Part 2 Subpart J and Part 15 Subpart A and C of the Commission's Rules and Regulations.

1.2 Description of EUT

FCC ID	:	MSQAAM6KVIPD1
Product Name	:	4-Port Wi-Fi Ethernet Router
Model Name	:	AAM6XXXVI-PD1, AAM6XXXVI-XXX, 6218-I3-XXX, 6218-I4-XXX (X= 0~9, A~Z)
Frequency Range	:	2.412GHz ~ 2.462GHz
Channel Spacing	:	5MHz
Support Channel	:	11 Channels
Modulation Skill	:	DBPSK, DQPSK, CCK, OFDM
Power Type	:	Powered by the switching adapter, Manufacture: OEM. Model: ADS18B-W 120150 I/P: 100-240VAC 50-60Hz 0.5A. O/P: 12VDC 1.5A. 190cm length, non-shielded, with ferrite core
Data Cable	:	RJ11 cable (Line) x 1, 1.85m length, non-shielded, no ferrite core RJ11 cable (Phone) x 1, 7feet length, non-shielded, no ferrite core RJ45 cable x 1, 10m length, non-shielded, no ferrite core RJ45 cable x 1, 1.5m length, non-shielded, no ferrite core RJ45 cable x 2, 2.0m length, non-shielded, no ferrite core

1.3 Test method

- 1.3.1 The DC-In connected to AC mains supply by switching adapter.
- 1.3.2 The RJ11 (Line) port of EUT connected to far ADSL simulator.
- 1.3.3 The RJ11 (Phone) port of EUT connected to telephone.
- 1.3.4 The LAN2 and LAN3 ports are termination by RJ45 cables.
- 1.3.5 The LAN 4 port of EUT connected to far LAN port of PC.
- 1.3.6 Connected the LAN1 port of EUT with the LAN of PC. Using PC and software provided by the manufacturer to control EUT, the test is performed under the specific conditions.
- 1.3.7 Set different data rate and channel (CH01/CH06/CH11) being tested and repeat the procedures above.
 - (a) Conducted test and Radiated:
 - making EUT to the mode of continuous transmission

1.4 Description of Support Equipment

In order to construct the minimum testing, following equipment were used as the support units.

PC : **HP Compaq dx5750 Microtower**
Model No. : dx5750 MT
Serial No. : SGH72200Q6
FCC ID : Doc Approved
BSMI : R33001
Power type : 100 ~ 127VAC/200 ~ 240VAC, 8A/4A, 50 ~ 60Hz, Switching
Power cord : Non-shielded, 1.8m long, Plastic hood, No ferrite core

17" LCD Monitor : **HP**
Model No. : L1760
Serial No. : CND71008Q1
FCC ID : Doc Approved
BSMI : R43346
Power type : Shielded, 1.80 m length, Plastic hood, two ferrite cores
Power cord : 100 ~ 240VAC, 1.5A, 50/60Hz, Switching
Data cable : Non-shielded, 1.80 m length, Plastic hood, without ferrite core

Printer : **EPSON**
Model No. : B241A
Serial No. : FAPY155090
FCC ID : N/A, DoC Approved
BSMI : R33126
Power type : Switching adaptor
Power cord : Non-shielded, 198cm length, No ferrite core
Data cable : Shielded, 1.50m length, No ferrite core

PS/2 Mouse : **HP**
Model No. : M-UR89, M-S69
Serial No. : LZS21750238, 334684-002 323614-001
FCC ID : DoC Approved
BSMI : 3892D767, R41126
Power type : By PC
Power cord : Shielded, 1.90m length, No ferrite core

PS/2 Keyboard : HP
Model No. : KB-0316
Serial No. : BC3520BVBUJ0CD
FCC ID : Doc Approved
BSMI : R33001
Power type : By PC
Data cable : Shielded, 1.80m length, Plastic hood, No ferrite core

Modem : ACEEX
Model No. : DM-1414
Serial No. : 9010583
FCC ID : IFAXDM1414
Power type : Linear
Power cord : Non-shielded, 1.9m length, No ferrite cord
Data cable : RS232, Shielded, 1.2m length, No ferrite core
RJ11C x 2, 7' length non-shielded, No ferrite core

LAN Card : D-Link
Model No. : DFE-530TX
Serial No. : 0050BAE3158B, 0050BAE32FF3
FCC ID : DoC Approved

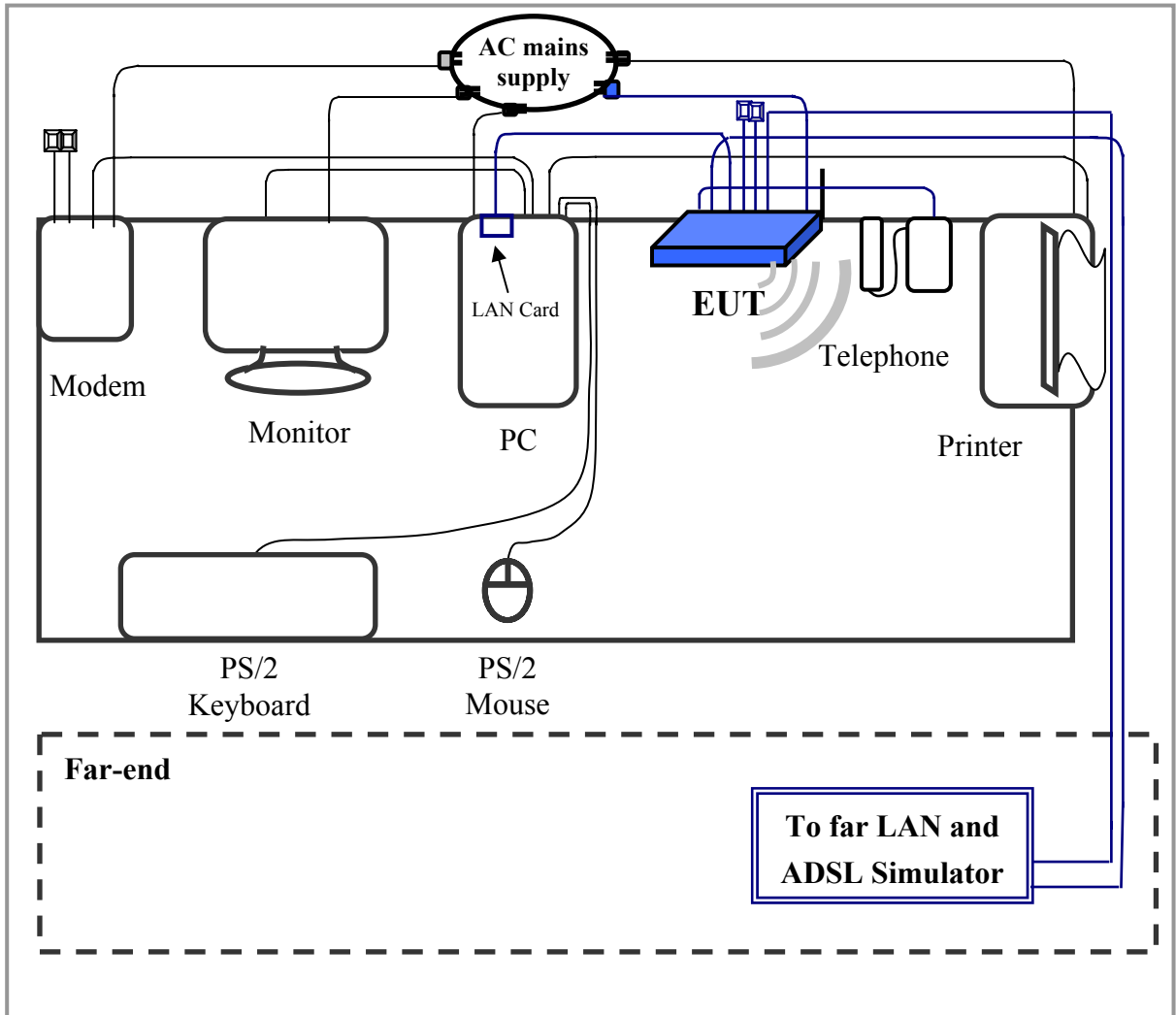
Telephone Set : Marcotolo Enterprise (H.K.) Ltd.
Model No. : HTT-213
Serial No. : 2111011508, 2111009515
FCC ID : Verification
DGT : T90-T139-0
Power type : By PSTN
Data Cable : Non-shielded, 2.10m length, Plastic, No ferrite core

ADSL Emulator : **PARADYNE**
Model No. : 2621-A3-431
Serial No. : 8075634
Power type : 100 ~ 240VAC / 50 ~ 60Hz, 1.0A, Switching

WLAN Card : **Gemtek Technology Co., Ltd.**
Model No. : C911003
FCC ID : MXF-C911003

1.5 Configuration of System Under Test

1.5.1 Conducted and Radiated



Connections of Equipment

- PC:**
- *Parallel Port a printer
 - *VGA Port a monitor
 - *Serial Port an external modem
 - *PS/2-key Port a PS/2 keyboard
 - *PS/2-mouse Port a PS/2 mouse
 - *LAN Port **EUT**

The tests below are carried with the EUT transmitter set at high power in TDD mode. The EUT is forced to select of output power level and channel number by LAN port.

The setting up procedure was recorded in 1.3 test method.

1.6 Verify the Frequency and Channel

Channel	Frequency (GHz)
1	2.412
2	2.417
3	2.422
4	2.427
5	2.432
6	2.437
7	2.442
8	2.447
9	2.452
10	2.457
11	2.462

Note:

1. This is for confirming that all frequencies are in 2.412GHz to 2.462GHz.
2. Section 15.31(m): Measurements on intentional radiators or receivers shall be performed at three frequencies for operating frequency range over 10 MHz
(The locations of these frequencies one near the top, one near the middle and one near the bottom.)
3. After test, the EUT operating frequencies are in 2.412GHz to 2.462GHz. So all the items as followed in testing report are need to test these three frequencies:
Top: Channel – 1; Middle: Channel – 6; Bottom: Channel – 11.

1.7 Test Procedure

All measurements contained in this report were performed mainly according to the techniques described in ANSI C63.4 (2003) and the pre-setup was written on 1.3 test method, the detail setup was written on each test item.

1.8 Location of the Test Site

The radiated emissions measurements required by the rules were performed on the **three-meter, Semi-anechoic Chamber (FCC Registration Number: 93906)** maintained by *Training Research Co., Ltd.* 1F, No. 255 Nanyang Street, Shijr, Taipei Hsien 221, Taiwan, R.O.C. Complete description and measurement data have been placed on file with the commission. The conducted power line emissions tests and other test items were performed in a semi-anechoic chamber also located at Training Research Co., Ltd.

No. 255 Nanyang Street, Shijr, Taipei Hsien 221, Taiwan, R.O.C. *Training Research Co., Ltd.* is listed by the FCC as a facility available to do measurement work for others on a contract basis.

1.9 General Test Condition

The conditions under which the EUT operates were varied to determine their effect on the equipment's emission characteristics. The final configuration of the test system and the mode of operation used during these tests were chosen as that which produced the highest emission levels. However, only those conditions, which the EUT was considered likely to encounter in normal use were investigated.

In test, they were set in high power and continuously transmitting mode that controlled by computer. The ch01, ch06 and ch11 of EUT were all tested. The setting up procedure is recorded on 1.3 test method.

II. Section 15.203: Antenna requirement

The EUT can be equipped with detachable antenna. The external antenna is affixed to the EUT using a unique connector, which allows for replacement of a broken antenna, but does not use a standard antenna jack or electrical connector. The antenna requirement stated in Section 15.203 is inapplicable to this EUT.

The custom antenna specification of list as below:

Manufacturer : Cortec Technology Inc.
Part No : AN2400-37A2BX
Connector : SMA Plug Reverse
Antenna Gain : 3.7dBi (MAX.)

III. Section 15.207: Power Line Conducted Emissions for AC Powered Units

3.1 Test Condition & Setup

The power line conducted emission measurements were performed in an semi-anechoic chamber. The EUT was assembled on a wooden table, which is 80 centimeters high, was placed 40 centimeters from the backwall and at least 1 meter from the sidewall.

Power was fed to the EUT from the public utility power grid through a line filter and Line Impedance Stabilization Networks (LISNs). The LISN housing, measuring instrumentation case, ground plane, etc., were electrically bonded together at the same RF potential. The Spectrum analyzer (or EMI receiver) was connected to the AC line through an isolation transformer. The 50-ohm output of the LISN was connected to the spectrum analyzer directly. Conducted emission levels were in the CISPR quasi-peak and average detection mode. The analyzer's 6 dB bandwidth was set to 9 KHz. No post-detector video filter was used.

The spectrum was scanned from 150 KHz to 30 MHz. The physical arrangement of the test system and associated cabling was varied (within the scope of arrangements likely to be encountered in actual use) to determine the effect on the unit's emanations in amplitude and frequency. All spurious emission frequencies were observed. The highest emission amplitudes relative to the appropriate limit were measured and have been recorded in paragraph 4.3

There is a test condition apply in this test item, the test procedure description as <1.3>. Three channels were tested, one in the top (CH01), one in the middle (CH06) and the other in bottom (CH11).

3.2 List of Test Instruments

Instrument Name	Model No.	Brand	Calibration Date	
			Serial No.	Next time
EMI Receiver	8546A	HP	3520A00242	01/15/10
RF Filter Section	85460A	HP	3448A00217	01/15/10
LISN (EUT)	3816/2	EMCO	00042976	03/08/10
LISN (Support E.)	3816/2	EMCO	00042989	02/27/10
Pre-amplifier	15542 ZFL-500	Mini – Circuits	0 0117	01/10/10
6dB Attenuator	MCL BW-S6W2	Mini – Circuits	9915 – Conducted	01/10/10
10dB Attenuator	A5542 VAT010	Mini – Circuits	0215 – Conducted	01/10/10
Coaxial Cable (2.0 meter)	A30A30-0058-50FS-2M	Jyebao	SMA-08	01/10/10
Coaxial Cable (1.1 meter)	A30A30-0058-50FS-1M	Jyebao	SMA-09	01/10/10
Coaxial Cable (20 meter)	RG-214/U	Jyebao	NP-01	01/10/10
Coaxial Cable (20 meter)	RG-214/U	Jyebao	NP-02	01/10/10
Auto Switch Box (< 30MHz)	ASB-01	TRC	9904-01	01/10/10

3.3 Test Result of Power Line Conducted Emissions

The following table shows a summary of the highest emissions of power line conducted emissions on the LIVE and NETURAL conductors of the EUT power cord. Show as follows.

Test Conditions: Temperature : 25 °C Humidity : 73 % RH

Test mode: IEEE 802.11b Channel 1

<i>Power Connected Emissions</i>					<i>Class B</i>		
<i>Conductor</i>	<i>Frequency (KHz)</i>	<i>Peak (dBµV)</i>	<i>QP (dBµV)</i>	<i>Average (dBµV)</i>	<i>QP-limit (dBµV)</i>	<i>AVG-limit (dBµV)</i>	<i>Margin (dB)</i>
Line 1	159.440	54.05	52.79	40.38	65.74	55.74	-12.95
	212.000	43.42	---	---	64.23	54.23	-10.81
	373.000	35.19	---	---	59.63	49.63	-14.44
	533.000	35.70	---	---	56.00	46.00	-10.30
	795.000	34.62	---	---	56.00	46.00	-11.38
	3858.000	35.23	---	---	56.00	46.00	-10.77
Line 2	160.340	54.30	56.46	41.04	65.74	55.74	-9.28
	214.000	43.70	---	---	64.17	54.17	-10.47
	317.000	35.43	---	---	61.23	51.23	-15.80
	537.000	35.48	---	---	56.00	46.00	-10.52
	745.000	33.85	---	---	56.00	46.00	-12.15
	4053.000	34.45	---	---	56.00	46.00	-11.55

NOTE:

- (1)Margin = Peak Amplitude – Limit, *The reading amplitudes are all under limit.*
- (2)A "+" sign in the margin column means the emission is OVER the Class B Limit and "-" sign of means UNDER the Class B limit

Test mode: IEEE 802.11b Channel 6

Power Connected Emissions					Class B		
Conductor	Frequency (KHz)	Peak (dBμV)	QP (dBμV)	Average (dBμV)	QP-limit (dBμV)	AVG-limit (dBμV)	Margin (dB)
Line 1	159.225	53.87	52.68	40.17	65.69	55.69	-13.01
	210.000	41.68	---	---	64.29	54.29	-12.61
	533.000	35.63	---	---	56.00	46.00	-10.37
	795.000	34.66	---	---	56.00	46.00	-11.34
	4092.000	35.14	---	---	56.00	46.00	-10.86
	10390.000	36.98	---	---	60.00	50.00	-13.02
Line 2	159.750	54.30	52.99	40.86	65.77	55.77	-12.78
	214.000	43.65	---	---	64.17	54.17	-10.52
	373.000	36.64	---	---	59.63	49.63	-12.99
	533.000	35.18	---	---	56.00	46.00	-10.82
	795.000	34.01	---	---	56.00	46.00	-11.99
	4327.000	34.34	---	---	56.00	46.00	-11.66

Test mode: IEEE 802.11b Channel 11

Power Connected Emissions					Class B		
Conductor	Frequency (KHz)	Peak (dBμV)	QP (dBμV)	Average (dBμV)	QP-limit (dBμV)	AVG-limit (dBμV)	Margin (dB)
Line 1	159.750	53.96	52.71	40.07	65.77	55.77	-13.06
	212.000	43.44	---	---	64.23	54.23	-10.79
	533.000	35.74	---	---	56.00	46.00	-10.26
	795.000	34.93	---	---	56.00	46.00	-11.07
	4092.000	34.79	---	---	56.00	46.00	-11.21
	10240.000	37.69	---	---	60.00	50.00	-12.31
Line 2	162.585	54.09	51.75	39.55	65.77	55.77	-14.02
	212.000	44.48	---	---	64.23	54.23	-9.75
	373.000	36.52	---	---	59.63	49.63	-13.11
	533.000	35.29	---	---	56.00	46.00	-10.71
	745.000	33.57	---	---	56.00	46.00	-12.43
	3936.000	34.57	---	---	56.00	46.00	-11.43

Test mode: IEEE 802.11g Channel 1

Power Connected Emissions					Class B		
Conductor	Frequency (KHz)	Peak (dBμV)	QP (dBμV)	Average (dBμV)	QP-limit (dBμV)	AVG-limit (dBμV)	Margin (dB)
Line 1	160.925	53.73	52.61	40.14	65.74	55.74	-13.13
	212.000	43.25	---	---	64.23	54.23	-10.98
	317.000	37.25	---	---	61.23	51.23	-13.98
	533.000	35.39	---	---	56.00	46.00	-10.61
	795.000	34.77	---	---	56.00	46.00	-11.23
	4131.000	35.47	---	---	56.00	46.00	-10.53
Line 2	159.120	54.00	52.74	40.46	65.77	55.77	-13.03
	210.000	43.84	---	---	64.29	54.29	-10.45
	373.000	36.54	---	---	59.63	49.63	-13.09
	533.000	35.13	---	---	56.00	46.00	-10.87
	954.000	33.59	---	---	56.00	46.00	-12.41
	4249.000	34.17	---	---	56.00	46.00	-11.83

Test mode: IEEE 802.11g Channel 6

Power Connected Emissions					Class B		
Conductor	Frequency (KHz)	Peak (dBμV)	QP (dBμV)	Average (dBμV)	QP-limit (dBμV)	AVG-limit (dBμV)	Margin (dB)
Line 1	160.380	53.64	52.63	40.46	65.77	55.77	-13.14
	212.000	43.28	---	---	64.23	54.23	-10.95
	373.000	35.94	---	---	59.63	49.63	-13.69
	533.000	35.46	---	---	56.00	46.00	-10.54
	795.000	34.41	---	---	56.00	46.00	-11.59
	4131.000	34.71	---	---	56.00	46.00	-11.29
Line 2	160.520	53.87	52.81	40.89	65.74	55.74	-12.93
	214.000	44.25	---	---	64.17	54.17	-9.92
	373.000	36.24	---	---	59.63	49.63	-13.39
	533.000	34.68	---	---	56.00	46.00	-11.32
	795.000	33.66	---	---	56.00	46.00	-12.34
	3897.000	34.24	---	---	56.00	46.00	-11.76

Test mode: IEEE 802.11g Channel 11

<i>Power Connected Emissions</i>					<i>FCC Class B</i>		
<i>Conductor</i>	<i>Frequency (KHz)</i>	<i>Peak (dBμV)</i>	<i>QP (dBμV)</i>	<i>Average (dBμV)</i>	<i>QP-limit (dBμV)</i>	<i>AVG-limit (dBμV)</i>	<i>Margin (dB)</i>
Line 1	159.125	53.52	52.51	40.06	65.74	55.74	-13.23
	212.000	43.14	---	---	64.23	54.23	-11.09
	533.000	35.56	---	---	56.00	46.00	-10.44
	745.000	34.57	---	---	56.00	46.00	-11.43
	4092.000	34.53	---	---	56.00	46.00	-11.47
	10140.000	36.47	---	---	60.00	50.00	-13.53
Line 2	160.875	53.87	52.77	40.83	65.77	55.77	-13.00
	212.000	43.89	---	---	64.23	54.23	-10.34
	370.000	36.78	---	---	59.71	49.71	-12.93
	533.000	35.44	---	---	56.00	46.00	-10.56
	795.000	33.52	---	---	56.00	46.00	-12.48
	4092.000	35.31	---	---	56.00	46.00	-10.69

IV. Section 15.247 (a): Technical description of the EUT

Direct Sequence System is a spread spectrum system in which the carrier has been modulated by a high speed spreading code and an information data stream. The high speed code sequence dominates the “modulating function” and is the direct cause of the wide spreading of the transmitted signal. In the operational description demonstrates the operation principles of the Baseband processor employed by the EUT, shows that which is a complete DSSS baseband processor and meets the definition of the direct sequence spread spectrum system.

V. Section 15.247 (C): Spurious Emissions (Radiated)

5.1 Test Condition & Setup

We'd performed the test by the *radiated emission* skill: The EUT was placed in an semi-anechoic chamber, and set the EUT transmitting continuously and scanned at 3-meter distance to determine its emission characteristics. The physical arrangement of the EUT was varied (within the scope of arrangements likely to be encountered in actual use) to determine the effect on the unit's emanations in amplitude, directivity, and frequency. The exact system configuration, which produced the highest emissions was noted so it could be reproduced later during the final tests. For the measurement above 1GHz, according to the guidance we'd set the spectrum analyzer's 6dB bandwidth RBW to 1MHz.

This was done to ensure that the final measurements would demonstrate the worst-case interference potential of the EUT.

Final radiation measurements were made on a three-meter, semi-anechoic chamber. The EUT system was placed on a nonconductive turntable, which is 0.8 meters height, top surface 1.0 x 1.5 meter.

The spectrum was examined from 30MHz to 1000MHz using an Hewlett Packard 85460A EMI Receiver, SCHWARZECK whole range Small Biconical Antenna (Model No.: UBAA9114 & BBVU9135) is used to measure frequency from 30 MHz to 1GHz. The final test is used the HP 85460A spectrum and 8564E spectrum was examined from 1GHz to 25GHz using an Hewlett Packard Spectrum Analyzer, EMCO/HP Horn Antenna (Model 3115 / 84125-80008) for 1G - 25GHz.

At each frequency, the EUT was rotated 360 degrees, and the antenna was raised and lowered from one to four meters to find the maximum emission levels. Measurements were taken using both horizontal and vertical antenna polarization.

Appropriate preamplifiers were used for improving sensitivity and precautions were taken to avoid overloading or desensitizing the spectrum analyzer. There are two spectrum analyzers use on this testing, HP 85460A for frequency 30MHz to 1000MHz, and 8564E for frequency 1GHz to 25GHz. No post-detector video filters were used in the test. The spectrum analyzer's 6dB bandwidth was set to 120KHz (spectrum was examined from 30 MHz to 1000 MHz), the spectrum analyzer's 6 dB bandwidth was set to 1 MHz (spectrum was examined from 1GHz to 25GHz) and the analyzer was operated in the maximum hold mode. There is a test condition applies in this test item, the test procedure description as the following:

Three channels were tested, one in the top (CH01), one in the middle (CH06) and the other in bottom (CH11). The setting up procedure is recorded on <1.3>

With the transmitter operating from a AC source and using the internal of EUT, radiates spurious emissions falling within the restricted bands of 15.209 were measured at operating frequencies corresponding to upper, middle and bottom channels in the 2400 ~ 2483.5 MHz band.

The actual field intensity in decibels referenced to 1 microvolt per meter (dB μ V/m) is determined by algebraically adding the measured reading in dB μ V, the antenna factor (dB), and cable loss (dB) at the appropriate frequency. Since the EUT was set to transmit continuously, no *duty cycle* is present.

For frequency between 30MHz to 1000MHz

$$F_{Ia} \text{ (dB}\mu\text{V/m)} = F_{Ir} \text{ (dB}\mu\text{V)} + \text{Correction Factors}$$

F_{Ia} : Actual Field Intensity

F_{Ir} : Reading of the Field Intensity

Correction Factors = Antenna Factor + (Cable Loss – Amplifier Gain) + Switching Box Loss

For frequency between 1GHz to 25GHz

$$F_{Ia} \text{ (dB}\mu\text{V/m)} = F_{Ir} \text{ (dB}\mu\text{V)} + \text{Correction Factor}$$

F_{Ia} : Actual Field Intensity

F_{Ir} : Reading of the Field Intensity

Correction Factors = Antenna Factor + (Cable Loss – Amplifier Gain) + Switching Box Loss

5.2 List of Test Instruments

Instrument Name	Model No.	Brand	Serial No.	Calibration Date
				Next time
EMI Receiver	8546A	HP	3520A00242	01/15/10
RF Filter Section	85460A	HP	3448A00217	01/15/10
Small Biconical Antenna	UBAA9114 & BBVU9135	SCHWARZECK	127	01/10/10
Pre-amplifier	PA1F	TRC	1FAC	01/10/10
Coaxial Cable (Double shielded, 15 meter)	A30A30-0058-50FS-15M	JYEBAO	SMA-01	01/10/10
Coaxial Cable (1.1 meter)	A30A30-0058-50FS-1M	JYEBAO	SMA-02	01/10/10
Spectrum Analyzer	8564E	HP	3720A00840	12/17/09
Microwave Preamplifier	84125C	HP	US36433002	02/05/10
Horn Antenna	3115	EMCO	9104-3668	02/06/10
Standard Guide Horn Antenna	84125-80008	HP	18-26.5GHz	12/14/09
Standard Guide Horn Antenna	84125-80001	HP	26.5-40GHz	02/12/10
Horn Antenna	1196E (3115)	HP (EMCO)	9704-5178	02/13/10
Pre-amplifier	PA2F	TRC	2F1GZ	01/10/10
Coaxial Cable (3 meter)	A30A30-0058-50FS T118	JYEBAO	MSA-05	01/10/10
Coaxial Cable (1 meter)	A30A30-0058-50FS T118	JYEBAO	MSA-04	01/10/10

5.3 Test Result of Spurious Radiated Emissions

The highest peak values of radiated emissions from the EUT at various antenna heights, antenna polarizations, EUT orientation, etc. are recorded on the following.

Test Conditions: Temperature : 25 °C Humidity : 73 % RH

Test mode: IEEE 802.11b CH01 for 30MHz to 1GHz [Horizontal]

Radiated Emission				Correction Factors (dB)	Corrected Amplitude (dBµV/m)	Class B (3 m)	
Frequency (MHz)	Amplitude (dBµV)	Ant. H. (m)	Table ()			Limit (dBµV/m)	Margin (dB)
78.50	31.61	1.00	318	0.74	32.35	40.00	-7.65
103.96	42.41	1.00	308	-1.06	41.35	43.50	-2.15
302.81	42.29	1.00	253	-2.86	39.43	46.00	-6.57
382.84	38.95	1.00	291	-1.49	37.46	46.00	-8.54
641.10	31.44	1.00	21	7.73	39.17	46.00	-6.83
896.94	24.00	1.00	168	15.04	39.04	46.00	-6.96

Test mode: IEEE 802.11b CH01 for 30MHz to 1GHz [Vertical]

Radiated Emission				Correction Factors (dB)	Corrected Amplitude (dBµV/m)	Class B (3 m)	
Frequency (MHz)	Amplitude (dBµV)	Ant. H. (m)	Table ()			Limit (dBµV/m)	Margin (dB)
31.21	29.04	1.00	215	7.62	36.66	40.00	-3.34
43.34	32.24	1.00	263	4.55	36.79	40.00	-3.21
100.32	39.66	1.00	263	-0.57	39.09	43.50	-4.41
641.10	32.86	1.00	95	7.73	40.59	46.00	-5.41
700.51	33.27	1.00	194	9.54	42.81	46.00	-3.19
896.94	25.99	1.00	304	15.04	41.03	46.00	-4.97

Note:

1. Margin = Amplitude – limit, if margin is minus means under limit.
2. Corrected Amplitude = Reading Amplitude + Correction Factors
3. Correction factor = Antenna factor + (Cable Loss – Amplitude gain) + Switching Box Loss

Test mode: IEEE 802.11b CH01 for 1GHz to 26.5GHz [Horizontal]

Frequency	Ant. H.	Table	Amplitude		Correction Factor	Corrected Amplitude		Limit		Margin
			Peak / Ave.			Peak / Ave.		Peak / Ave.		
MHz	m	degree	dBµV		dB/m	dBµV/m		dBµV/m		dB
2154.17	1.00	135	39.80	---	8.52	48.32	---	73.96	53.96	-5.64
2493.75	1.00	18	38.76	---	9.47	48.23	---	73.96	53.96	-5.73
3000.00	1.00	62	38.50	---	10.43	48.93	---	73.96	53.96	-5.03
12061.04	1.00	182	37.63	---	9.81	47.44	---	73.96	53.96	-6.52
21708.25	1.00	24	46.91	---	1.60	48.51	---	73.96	53.96	-5.45
24120.00	1.00	256	44.14	---	3.40	47.54	---	73.96	53.96	-6.42

Test mode: IEEE 802.11b CH01 for 1GHz to 26.5GHz [Vertical]

Frequency	Ant. H.	Table	Amplitude		Correction Factor	Corrected Amplitude		Limit		Margin
			Peak / Ave.			Peak / Ave.		Peak / Ave.		
MHz	m	degree	dBµV		dB/m	dBµV/m		dBµV/m		dB
1608.33	1.00	142	35.07	---	14.20	49.27	---	73.96	53.96	-4.69
2325.00	1.00	232	40.98	---	9.00	49.98	---	73.96	53.96	-3.98
2505.55	1.00	337	44.47	32.28	9.50	53.97	41.78	73.96	53.96	-12.18
3216.01	1.00	11	41.94	37.92	11.47	53.41	49.39	73.96	53.96	-4.57
9650.42	1.00	64	36.36	---	11.47	47.83	---	73.96	53.96	-6.13
19296.25	1.00	196	46.50	---	1.60	48.10	---	73.96	53.96	-5.86

Note:

1. Margin = Corrected - Limit.
2. The EUT utilizes a *permanently attached antenna*. In addition the spurious RF radiated emissions levels do comply with the *20dBc limit* both at its bandedges and other spurious emissions.
3. As stated in Section 15.35(b), for any frequencies above 1000MHz, radiated limits shown are based upon the use of measurement instrumentation employing an average detector function. As the results of our test, the peak amplitudes are already below the FCC limit. Thus the average amplitudes of the rest are omitted.

Test mode: IEEE 802.11b CH06 for 30MHz to 1GHz [Horizontal]

<i>Radiated Emission</i>				<i>Correction Factors</i>	<i>Corrected Amplitude</i>	<i>Class B (3 m)</i>	
<i>Frequency (MHz)</i>	<i>Amplitude (dBμV)</i>	<i>Ant. H. (m)</i>	<i>Table ()</i>			<i>Limit (dBμV/m)</i>	<i>Margin (dB)</i>
106.39	35.82	1.00	170	-1.38	34.44	43.50	-9.06
302.81	41.63	1.00	273	-2.86	38.77	46.00	-7.23
386.47	38.28	1.00	177	-1.40	36.88	46.00	-9.12
641.10	31.14	1.00	18	7.73	38.87	46.00	-7.13
700.51	27.92	1.00	116	9.54	37.46	46.00	-8.54
896.94	22.66	1.00	155	15.04	37.70	46.00	-8.30

Test mode: IEEE 802.11b CH06 for 30MHz to 1GHz [Vertical]

<i>Radiated Emission</i>				<i>Correction Factors</i>	<i>Corrected Amplitude</i>	<i>Class B (3 m)</i>	
<i>Frequency (MHz)</i>	<i>Amplitude (dBμV)</i>	<i>Ant. H. (m)</i>	<i>Table ()</i>			<i>Limit (dBμV/m)</i>	<i>Margin (dB)</i>
43.34	32.22	1.00	280	4.55	36.77	40.00	-3.23
100.32	39.74	1.00	270	-0.57	39.17	43.50	-4.33
103.96	40.61	1.00	222	-1.06	39.55	43.50	-3.95
641.10	32.93	1.00	93	7.73	40.66	46.00	-5.34
700.51	31.92	1.00	185	9.54	41.46	46.00	-4.54
896.94	26.61	1.00	296	15.04	41.65	46.00	-4.35

Test mode: IEEE 802.11b CH06 for 1GHz to 26.5GHz [Horizontal]

<i>Frequency</i>	<i>Ant. H.</i>	<i>Table</i>	<i>Amplitude</i>		<i>Correction Factor</i>	<i>Corrected Amplitude</i>		<i>Limit</i>		<i>Margin</i>
			<i>Peak / Ave.</i>			<i>Peak / Ave.</i>		<i>Peak / Ave.</i>		
<i>MHz</i>	<i>m</i>	<i>degree</i>	<i>dBμV</i>		<i>dB/m</i>	<i>dBμV/m</i>		<i>dBμV/m</i>		<i>dB</i>
2156.25	1.00	309	41.52	---	8.53	50.05	---	73.96	53.96	-3.91
3000.00	1.00	303	37.46	---	10.43	47.89	---	73.96	53.96	-6.07
12187.92	1.00	221	39.15	---	9.74	48.89	---	73.96	53.96	-5.07
19498.12	1.00	244	45.57	---	1.70	47.27	---	73.96	53.96	-6.69
21934.79	1.00	269	45.71	---	3.09	48.80	---	73.96	53.96	-5.16
24371.46	1.00	290	45.91	---	3.26	49.17	---	73.96	53.96	-4.79

Test mode: IEEE 802.11b CH06 for 1GHz to 26.5GHz [Vertical]

<i>Frequency</i>	<i>Ant. H.</i>	<i>Table</i>	<i>Amplitude</i>		<i>Correction Factor</i>	<i>Corrected Amplitude</i>		<i>Limit</i>		<i>Margin</i>
			<i>Peak / Ave.</i>			<i>Peak / Ave.</i>		<i>Peak / Ave.</i>		
<i>MHz</i>	<i>m</i>	<i>degree</i>	<i>dBμV</i>		<i>dB/m</i>	<i>dBμV/m</i>		<i>dBμV/m</i>		<i>dB</i>
2552.08	1.00	319	39.94	---	9.59	49.53	---	73.96	53.96	-4.43
3247.92	1.00	3	35.96	---	11.62	47.58	---	73.96	53.96	-6.38
12187.92	1.00	13	38.17	---	9.74	47.91	---	73.96	53.96	-6.05
19498.12	1.00	264	45.53	---	1.70	47.23	---	73.96	53.96	-6.73
21934.79	1.00	270	45.73	---	3.09	48.82	---	73.96	53.96	-5.14
24371.46	1.00	305	45.81	---	3.26	49.07	---	73.96	53.96	-4.89

Test mode: IEEE 802.11b CH11 for 30MHz to 1GHz [Horizontal]

Radiated Emission				Correction Factors	Corrected Amplitude	Class B (3 m)	
Frequency (MHz)	Amplitude (dBμV)	Ant. H. (m)	Table ()			Limit (dBμV/m)	Margin (dB)
32.42	24.65	1.00	0	7.13	31.78	40.00	-8.22
302.81	40.58	1.00	253	-2.86	37.72	46.00	-8.28
387.69	38.56	1.00	194	-1.37	37.19	46.00	-8.81
641.10	31.46	1.00	14	7.73	39.19	46.00	-6.81
700.51	27.36	1.00	36	9.54	36.90	46.00	-9.10
896.94	24.63	1.00	168	15.04	39.67	46.00	-6.33

Test mode: IEEE 802.11b CH11 for 30MHz to 1GHz [Vertical]

Radiated Emission				Correction Factors	Corrected Amplitude	Class B (3 m)	
Frequency (MHz)	Amplitude (dBμV)	Ant. H. (m)	Table ()			Limit (dBμV/m)	Margin (dB)
44.55	32.02	1.00	266	4.33	36.35	40.00	-3.65
100.32	39.57	1.00	192	-0.57	39.00	43.50	-4.50
103.96	40.28	1.00	280	-1.06	39.22	43.50	-4.28
145.19	39.76	1.00	206	-3.94	35.82	43.50	-7.68
700.51	31.28	1.00	187	9.54	40.82	46.00	-5.18
896.94	26.92	1.00	296	15.04	41.96	46.00	-4.04

Test mode: IEEE 802.11b CH11 for 1GHz to 26.5GHz [Horizontal]

<i>Frequency</i>	<i>Ant. H.</i>	<i>Table</i>	<i>Amplitude</i>		<i>Correction Factor</i>	<i>Corrected Amplitude</i>		<i>Limit</i>		<i>Margin</i>
			<i>Peak / Ave.</i>			<i>Peak / Ave.</i>		<i>Peak / Ave.</i>		
<i>MHz</i>	<i>m</i>	<i>degree</i>	<i>dBμV</i>		<i>dB/m</i>	<i>dBμV/m</i>		<i>dBμV/m</i>		<i>dB</i>
2156.25	1.00	177	41.85	---	8.53	50.38	---	73.96	53.96	-3.58
3000.00	1.00	309	37.42	---	10.43	47.85	---	73.96	53.96	-6.11
12308.75	1.00	169	36.49	---	9.56	46.05	---	73.96	53.96	-7.91
19696.46	1.00	283	45.10	---	1.81	46.91	---	73.96	53.96	-7.05
22157.92	1.00	121	44.26	---	3.25	47.51	---	73.96	53.96	-6.45
24619.37	1.00	204	45.58	---	3.01	48.59	---	73.96	53.96	-5.37

Test mode: IEEE 802.11b CH11 for 1GHz to 26.5GHz [Vertical]

<i>Frequency</i>	<i>Ant. H.</i>	<i>Table</i>	<i>Amplitude</i>		<i>Correction Factor</i>	<i>Corrected Amplitude</i>		<i>Limit</i>		<i>Margin</i>
			<i>Peak / Ave.</i>			<i>Peak / Ave.</i>		<i>Peak / Ave.</i>		
<i>MHz</i>	<i>m</i>	<i>degree</i>	<i>dBμV</i>		<i>dB/m</i>	<i>dBμV/m</i>		<i>dBμV/m</i>		<i>dB</i>
2637.50	1.00	241	40.23	---	9.75	49.98	---	73.96	53.96	-3.98
3283.33	1.00	200	39.09	---	11.79	50.88	---	73.96	53.96	-3.08
12308.75	1.00	151	36.51	---	9.56	46.07	---	73.96	53.96	-7.89
19696.46	1.00	303	45.55	---	1.81	47.36	---	73.96	53.96	-6.60
22157.92	1.00	121	44.18	---	3.25	47.43	---	73.96	53.96	-6.53
24619.37	1.00	213	45.56	---	3.01	48.57	---	73.96	53.96	-5.39

Test mode: IEEE 802.11g CH01 for 30MHz to 1GHz [Horizontal]

Radiated Emission				Correction Factors	Corrected Amplitude	Class B (3 m)	
Frequency (MHz)	Amplitude (dBμV)	Ant. H. (m)	Table ()			Limit (dBμV/m)	Margin (dB)
107.60	36.34	1.00	163	-1.54	34.80	43.50	-8.70
302.81	40.79	1.00	215	-2.86	37.93	46.00	-8.07
386.47	38.31	1.00	180	-1.40	36.91	46.00	-9.09
641.10	31.12	1.00	25	7.73	38.85	46.00	-7.15
700.51	27.67	1.00	39	9.54	37.21	46.00	-8.79
896.94	24.21	1.00	184	15.04	39.25	46.00	-6.75

Test mode: IEEE 802.11g CH01 for 30MHz to 1GHz [Vertical]

Radiated Emission				Correction Factors	Corrected Amplitude	Class B (3 m)	
Frequency (MHz)	Amplitude (dBμV)	Ant. H. (m)	Table ()			Limit (dBμV/m)	Margin (dB)
44.55	32.52	1.00	228	4.33	36.85	40.00	-3.15
103.96	40.01	1.00	218	-1.06	38.95	43.50	-4.55
145.19	39.97	1.00	218	-3.94	36.03	43.50	-7.47
641.10	32.63	1.00	95	7.73	40.36	46.00	-5.64
700.51	32.65	1.00	194	9.54	42.19	46.00	-3.81
896.94	25.69	1.00	106	15.04	40.73	46.00	-5.27

Test mode: IEEE 802.11g CH01 for 1GHz to 26.5GHz [Horizontal]

<i>Frequency</i>	<i>Ant. H.</i>	<i>Table</i>	<i>Amplitude</i>		<i>Correction Factor</i>	<i>Corrected Amplitude</i>		<i>Limit</i>		<i>Margin</i>
			<i>Peak / Ave.</i>			<i>Peak / Ave.</i>		<i>Peak / Ave.</i>		
<i>MHz</i>	<i>m</i>	<i>degree</i>	<i>dBμV</i>		<i>dB/m</i>	<i>dBμV/m</i>		<i>dBμV/m</i>		<i>dB</i>
2325.00	1.00	359	39.29	---	9.00	48.29	---	73.96	53.96	-5.67
3002.08	1.00	355	37.77	---	10.44	48.21	---	73.96	53.96	-5.75
12061.04	1.00	182	37.28	---	9.81	47.09	---	73.96	53.96	-6.87
19296.25	1.00	185	46.85	---	1.60	48.45	---	73.96	53.96	-5.51
21708.12	1.00	10	44.29	---	2.87	47.16	---	73.96	53.96	-6.80
24120.00	1.00	270	44.43	---	3.40	47.83	---	73.96	53.96	-6.13

Test mode: IEEE 802.11g CH01 for 1GHz to 26.5GHz [Vertical]

<i>Frequency</i>	<i>Ant. H.</i>	<i>Table</i>	<i>Amplitude</i>		<i>Correction Factor</i>	<i>Corrected Amplitude</i>		<i>Limit</i>		<i>Margin</i>
			<i>Peak / Ave.</i>			<i>Peak / Ave.</i>		<i>Peak / Ave.</i>		
<i>MHz</i>	<i>m</i>	<i>degree</i>	<i>dBμV</i>		<i>dB/m</i>	<i>dBμV/m</i>		<i>dBμV/m</i>		<i>dB</i>
2322.92	1.00	85	38.76	---	8.99	47.75	---	73.96	53.96	-6.21
2577.08	1.00	144	39.77	---	9.63	49.40	---	73.96	53.96	-4.56
3216.67	1.00	154	38.23	---	11.47	49.70	---	73.96	53.96	-4.26
9650.42	1.00	68	36.05	---	11.47	47.52	---	73.96	53.96	-6.44
19296.25	1.00	208	46.38	---	1.60	47.98	---	73.96	53.96	-5.98
24120.00	1.00	264	44.04	---	3.40	47.44	---	73.96	53.96	-6.52

Test mode: IEEE 802.11g CH06 for 30MHz to 1GHz [Horizontal]

<i>Radiated Emission</i>				<i>Correction Factors</i>	<i>Corrected Amplitude</i>	<i>Class B (3 m)</i>	
<i>Frequency (MHz)</i>	<i>Amplitude (dBμV)</i>	<i>Ant. H. (m)</i>	<i>Table ()</i>			<i>Limit (dBμV/m)</i>	<i>Margin (dB)</i>
108.81	37.14	1.00	177	-1.70	35.44	43.50	-8.06
302.81	42.05	1.00	253	-2.86	39.19	46.00	-6.81
387.69	38.82	1.00	183	-1.37	37.45	46.00	-8.55
641.10	31.42	1.00	25	7.73	39.15	46.00	-6.85
700.51	30.26	1.00	124	9.54	39.80	46.00	-6.20
896.94	23.77	1.00	184	15.04	38.81	46.00	-7.19

Test mode: IEEE 802.11g CH06 for 30MHz to 1GHz [Vertical]

<i>Radiated Emission</i>				<i>Correction Factors</i>	<i>Corrected Amplitude</i>	<i>Class B (3 m)</i>	
<i>Frequency (MHz)</i>	<i>Amplitude (dBμV)</i>	<i>Ant. H. (m)</i>	<i>Table ()</i>			<i>Limit (dBμV/m)</i>	<i>Margin (dB)</i>
44.55	31.99	1.00	211	4.33	36.32	40.00	-3.68
100.32	40.21	1.00	201	-0.57	39.64	43.50	-3.86
145.19	40.15	1.00	201	-3.94	36.21	43.50	-7.29
641.10	32.90	1.00	86	7.73	40.63	46.00	-5.37
700.51	32.44	1.00	192	9.54	41.98	46.00	-4.02
896.94	26.04	1.00	303	15.04	41.08	46.00	-4.92

Test mode: IEEE 802.11g CH06 for 1GHz to 26.5GHz [Horizontal]

<i>Frequency</i>	<i>Ant. H.</i>	<i>Table</i>	<i>Amplitude</i>		<i>Correction Factor</i>	<i>Corrected Amplitude</i>		<i>Limit</i>		<i>Margin</i>
			<i>Peak / Ave.</i>			<i>Peak / Ave.</i>		<i>Peak / Ave.</i>		
<i>MHz</i>	<i>m</i>	<i>degree</i>	<i>dBμV</i>		<i>dB/m</i>	<i>dBμV/m</i>		<i>dBμV/m</i>		<i>dB</i>
2156.25	1.00	166	40.03	---	8.53	48.56	---	73.96	53.96	-5.40
3000.00	1.00	24	39.51	---	10.43	49.94	---	73.96	53.96	-4.02
12187.92	1.00	221	39.03	---	9.74	48.77	---	73.96	53.96	-5.19
19498.12	1.00	292	45.92	---	1.70	47.62	---	73.96	53.96	-6.34
21934.79	1.00	273	44.40	---	3.09	47.49	---	73.96	53.96	-6.47
24371.46	1.00	299	45.75	---	3.26	49.01	---	73.96	53.96	-4.95

Test mode: IEEE 802.11g CH06 for 1GHz to 26.5GHz [Vertical]

<i>Frequency</i>	<i>Ant. H.</i>	<i>Table</i>	<i>Amplitude</i>		<i>Correction Factor</i>	<i>Corrected Amplitude</i>		<i>Limit</i>		<i>Margin</i>
			<i>Peak / Ave.</i>			<i>Peak / Ave.</i>		<i>Peak / Ave.</i>		
<i>MHz</i>	<i>m</i>	<i>degree</i>	<i>dBμV</i>		<i>dB/m</i>	<i>dBμV/m</i>		<i>dBμV/m</i>		<i>dB</i>
1625.00	1.00	287	35.17	---	13.94	49.11	---	73.96	53.96	-4.85
2530.69	1.00	231	42.85	31.18	9.55	52.40	40.73	73.96	53.96	-13.23
3249.35	1.00	249	42.56	38.07	11.63	54.19	49.70	73.96	53.96	-4.26
12187.92	1.00	8	38.38	---	9.74	48.12	---	73.96	53.96	-5.84
21934.79	1.00	280	44.95	---	3.09	48.04	---	73.96	53.96	-5.92
24371.46	1.00	291	45.60	---	3.26	48.86	---	73.96	53.96	-5.10

Test mode: IEEE 802.11g CH11 for 30MHz to 1GHz [Horizontal]

<i>Radiated Emission</i>				<i>Correction Factors</i>	<i>Corrected Amplitude</i>	<i>Class B (3 m)</i>	
<i>Frequency (MHz)</i>	<i>Amplitude (dBμV)</i>	<i>Ant. H. (m)</i>	<i>Table ()</i>			<i>Limit (dBμV/m)</i>	<i>Margin (dB)</i>
106.39	36.32	1.00	163	-1.38	34.94	43.50	-8.56
302.81	41.58	1.00	239	-2.86	38.72	46.00	-7.28
387.69	38.54	1.00	180	-1.37	37.17	46.00	-8.83
641.10	31.81	1.00	18	7.73	39.54	46.00	-6.46
700.51	27.88	1.00	116	9.54	37.42	46.00	-8.58
896.94	23.84	1.00	162	15.04	38.88	46.00	-7.12

Test mode: IEEE 802.11g CH11 for 30MHz to 1GHz [Vertical]

<i>Radiated Emission</i>				<i>Correction Factors</i>	<i>Corrected Amplitude</i>	<i>Class B (3 m)</i>	
<i>Frequency (MHz)</i>	<i>Amplitude (dBμV)</i>	<i>Ant. H. (m)</i>	<i>Table ()</i>			<i>Limit (dBμV/m)</i>	<i>Margin (dB)</i>
39.70	30.04	1.00	94	5.21	35.25	40.00	-4.75
66.37	31.89	1.00	108	1.40	33.29	40.00	-6.71
100.32	40.04	1.00	255	-0.57	39.47	43.50	-4.03
641.10	32.74	1.00	93	7.73	40.47	46.00	-5.53
700.51	32.37	1.00	192	9.54	41.91	46.00	-4.09
896.94	25.99	1.00	296	15.04	41.03	46.00	-4.97

Test mode: IEEE 802.11g CH11 for 1GHz to 26.5GHz [Horizontal]

<i>Frequency</i>	<i>Ant. H.</i>	<i>Table</i>	<i>Amplitude</i>		<i>Correction Factor</i>	<i>Corrected Amplitude</i>		<i>Limit</i>		<i>Margin</i>
			<i>Peak / Ave.</i>			<i>Peak / Ave.</i>		<i>Peak / Ave.</i>		
<i>MHz</i>	<i>m</i>	<i>degree</i>	<i>dBμV</i>		<i>dB/m</i>	<i>dBμV/m</i>		<i>dBμV/m</i>		<i>dB</i>
2158.33	1.00	355	41.78	---	8.53	50.31	---	73.96	53.96	-3.65
2331.25	1.00	109	40.40	---	9.02	49.42	---	73.96	53.96	-4.54
3000.00	1.00	140	38.11	---	10.43	48.54	---	73.96	53.96	-5.42
12308.75	1.00	162	36.49	---	9.56	46.05	---	73.96	53.96	-7.91
19696.46	1.00	283	45.43	---	1.81	47.24	---	73.96	53.96	-6.72
24619.37	1.00	192	45.31	---	3.01	48.32	---	73.96	53.96	-5.64

Test mode: IEEE 802.11g CH11 for 1GHz to 26.5GHz [Vertical]

<i>Frequency</i>	<i>Ant. H.</i>	<i>Table</i>	<i>Amplitude</i>		<i>Correction Factor</i>	<i>Corrected Amplitude</i>		<i>Limit</i>		<i>Margin</i>
			<i>Peak / Ave.</i>			<i>Peak / Ave.</i>		<i>Peak / Ave.</i>		
<i>MHz</i>	<i>m</i>	<i>degree</i>	<i>dBμV</i>		<i>dB/m</i>	<i>dBμV/m</i>		<i>dBμV/m</i>		<i>dB</i>
2156.25	1.00	160	40.75	---	8.53	49.28	---	73.96	53.96	-4.68
2354.17	1.00	72	41.10	---	9.08	50.18	---	73.96	53.96	-3.78
2591.67	1.00	47	40.28	---	9.66	49.94	---	73.96	53.96	-4.02
3282.68	1.00	142	41.67	32.65	11.79	53.46	44.44	73.96	53.96	-9.52
12308.75	1.00	161	36.26	---	9.56	45.82	---	73.96	53.96	-8.14
24619.37	1.00	212	45.74	---	3.01	48.75	---	73.96	53.96	-5.21

5.4 Test Result of the Bandedge

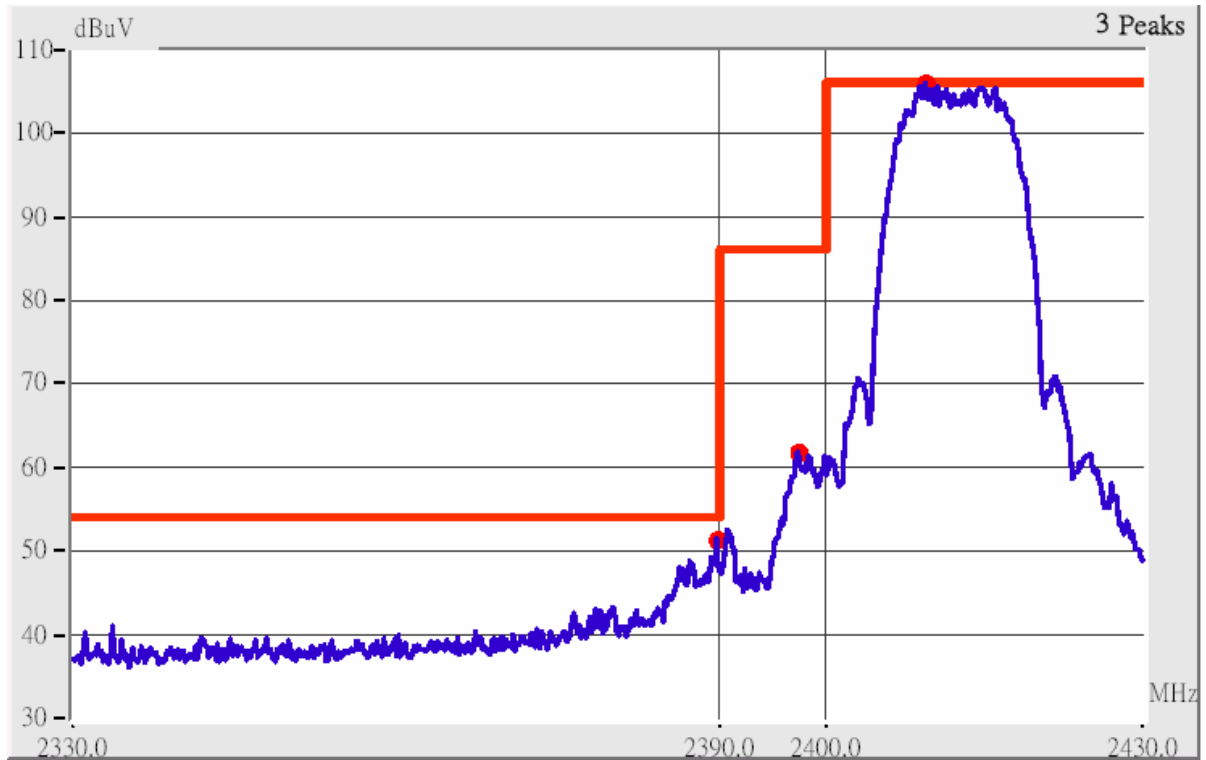
If any 100 kHz bandwidth outside these frequency bands, the radio frequency power that is produced by the modulation products of the spreading sequence, the information sequence and the carrier frequency shall be either *at least 20 dB below that in any 100 kHz bandwidth within the band that contains the highest level of the desired power or shall not exceed the general levels specified in §15.209(a)*,

We perform this section by the *radiated manner*, the RBW is set to 100kHz and VBW>RBW. We'd made the observation *up to 10th harmonics and the criterion is all the harmonic/spurious emissions must be 20dB below the highest emission level measured*. If the emissions fall in the restricted bands stated in the Part15.205(a) must also *comply with the radiated emission limits specified in Part15.209(a)*. (*Peak mode: RBW=VBW=1MHz, Average mode: RBW=1MHz; VBW=10Hz*)

The following pages show our observations referring to the channel 1 and 11 respectively.

Test Condition & Setup: same as < 8.1 >

Channel 1 of IEEE 802.11b

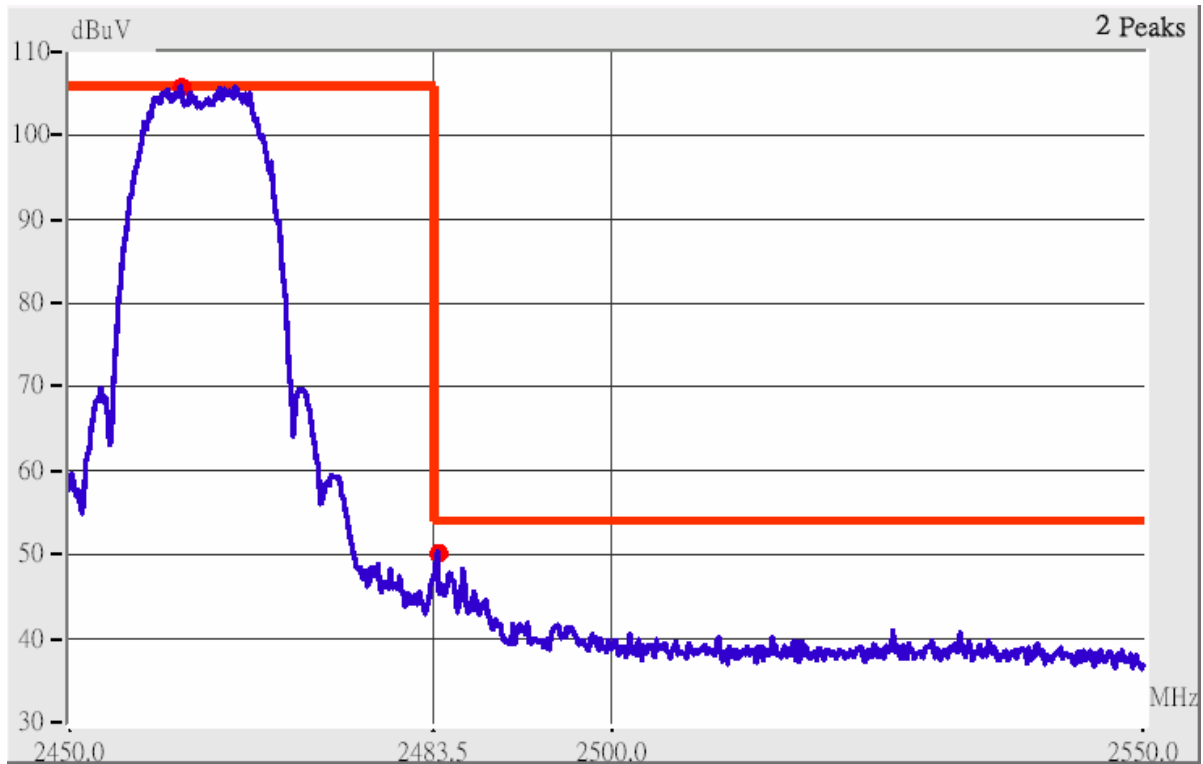


This is the hard copy of our bandedge measurement generated by our bandedge testing program. The plot shown above is the bandedge of channel 1.

1. The lobe left by the fundamental side is already 20dB below the highest emission level.
2. The emissions recorded in the restricted band is do comply with the Part 15.209(a) – as below.

<i>Radiated Emission</i>					<i>Corrected Amplitude</i>		<i>Class B (3m)</i>		
<i>Frequency (MHz)</i>	<i>Ant. P.</i>	<i>Ant. H. (m)</i>	<i>Table (°)</i>	<i>Factors (dB)</i>	<i>(dBµV/m)</i>		<i>Limit (dBµV/m)</i>		<i>Margin (dB)</i>
					<i>Peak</i>	<i>Average</i>	<i>Peak</i>	<i>Ave.</i>	
2387.09	Hor	1.00	23	9.17	51.66	---	73.96	53.96	-2.30
2390.02	Hor	1.00	32	9.18	49.04	---	73.96	53.96	-4.92
2387.40	Ver	1.00	40	9.17	55.08	42.41	73.96	53.96	-11.55
2390.23	Ver	1.00	85	9.18	56.42	44.58	73.96	53.96	-9.38

Channel 11 of IEEE 802.11b

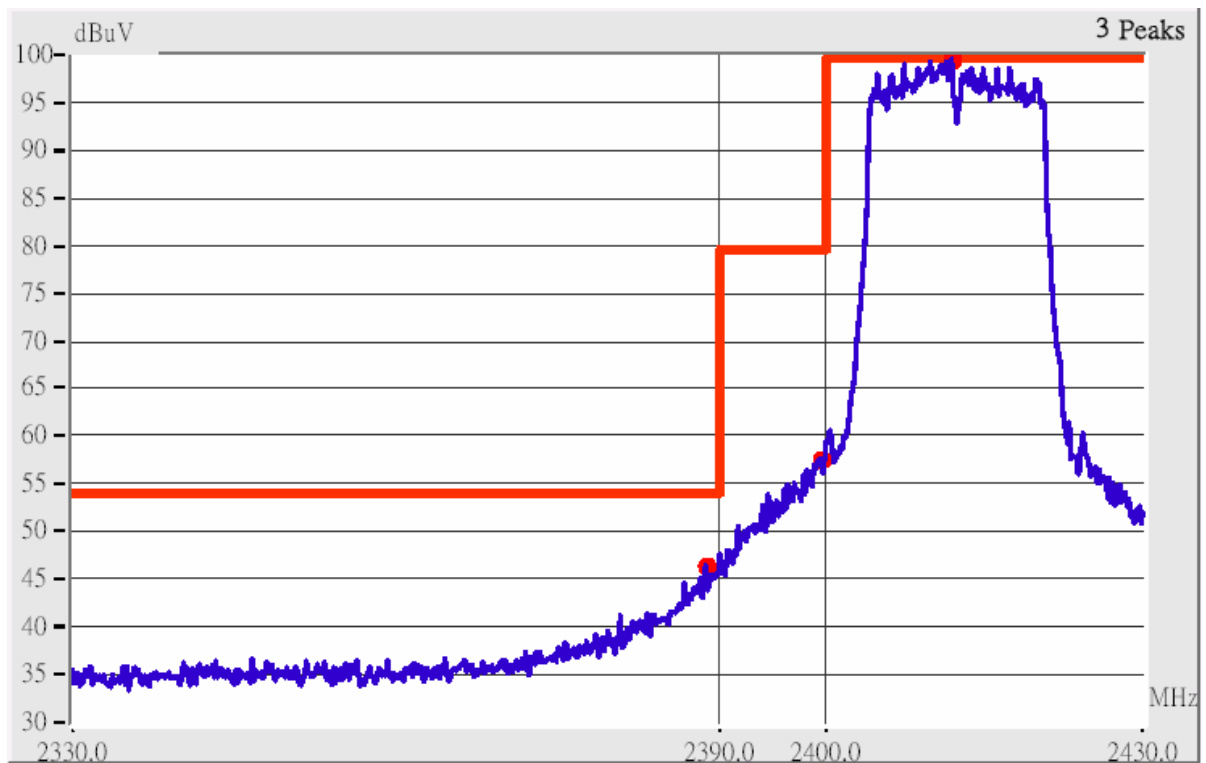


This is the hard copy of our bandedge measurement generated by our bandedge testing program. The plot shown above is the bandedge of channel 11.

- 3. The lobe right by the fundamental side is already 20dB below the highest emission level.
- 4. The emissions recorded in the restricted band is do comply with the Part 15.209(a) – as below

<i>Radiated Emission</i>					<i>Corrected Amplitude</i>		<i>Class B (3m)</i>		
<i>Frequency (MHz)</i>	<i>Ant. P.</i>	<i>Ant. H. (m)</i>	<i>Table ()</i>	<i>Factors (dB)</i>	<i>(dBµV/m)</i>		<i>Limit (dBµV/m)</i>		<i>Margin (dB)</i>
					<i>Peak</i>	<i>Average</i>	<i>Peak</i>	<i>Ave.</i>	
2483.50	Hor	1.00	227	9.44	51.07	---	73.96	53.96	-2.89
2488.87	Hor	1.00	229	9.46	49.51	---	73.96	53.96	-4.45
2500.01	Hor	1.00	222	9.49	44.93	---	73.96	53.96	-9.03
2504.91	Hor	1.00	224	9.50	48.07	---	73.96	53.96	-5.89
2483.04	Ver	1.00	284	9.44	55.85	45.56	73.96	53.96	-8.40
2488.02	Ver	1.00	270	9.46	57.42	43.73	73.96	53.96	-10.23
2499.89	Ver	1.00	347	9.49	52.96	40.77	73.96	53.96	-13.19
2508.08	Ver	1.00	282	9.51	53.26	40.79	73.96	53.96	-13.17

Channel 1 of IEEE 802.11g

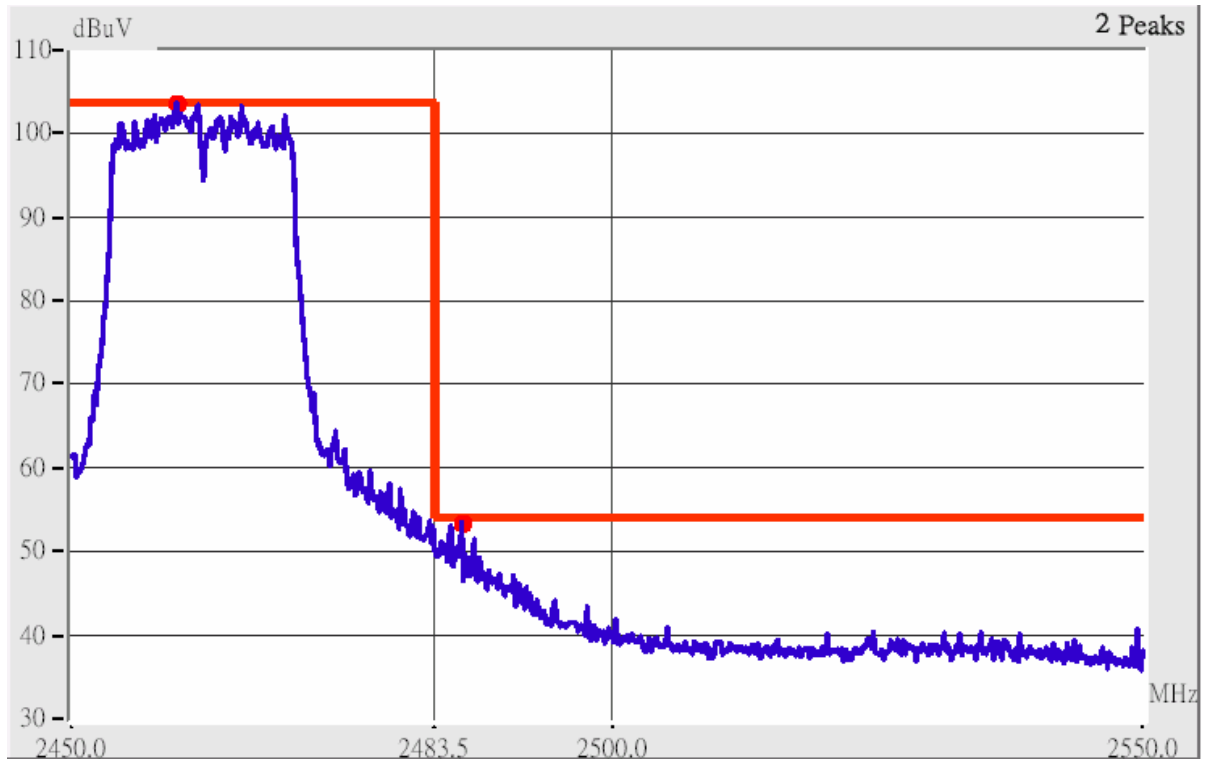


This is the hard copy of our bandedge measurement generated by our bandedge testing program. The plot shown above is the bandedge of channel 1.

- 5. The lobe left by the fundamental side is already 20dB below the highest emission level.
- 6. The emissions recorded in the restricted band is do comply with the Part 15.209(a) – as below.

Radiated Emission					Corrected Amplitude		Class B (3m)		
Frequency (MHz)	Ant. P.	Ant. H. (m)	Table (°)	Factors (dB)	(dBµV/m)		Limit (dBµV/m)		Margin (dB)
					Peak	Average	Peak	Ave.	
2488.12	Hor	1.00	190	9.18	48.45	---	73.96	53.96	-5.51
2490.61	Hor	1.00	178	9.18	50.28	---	73.96	53.96	-3.68
2387.73	Ver	1.00	259	9.18	54.39	37.23	73.96	53.96	-16.73
2390.10	Ver	1.00	41	9.18	52.73	38.10	73.96	53.96	-15.86

Channel 11 of IEEE 802.11g



This is the hard copy of our bandedge measurement generated by our bandedge testing program. The plot shown above is the bandedge of channel 11.

- 7. The lobe right by the fundamental side is already 20dB below the highest emission level.
- 8. The emissions recorded in the restricted band is do comply with the Part 15.209(a) – as below

Radiated Emission					Corrected Amplitude		Class B (3m)		
Frequency (MHz)	Ant. P.	Ant. H. (m)	Table (°)	Factors (dB)	(dBµV/m)		Limit (dBµV/m)		Margin (dB)
					Peak	Average	Peak	Ave.	
2483.29	Hor	1.00	296	9.44	63.41	38.65	73.96	53.96	-10.55
2484.82	Hor	1.00	295	9.45	59.15	38.33	73.96	53.96	-14.81
2500.01	Hor	1.00	229	9.49	45.21	---	73.96	53.96	-8.75
2516.22	Hor	1.00	148	9.52	44.48	---	73.96	53.96	-9.48
2483.63	Ver	1.00	192	9.44	68.73	42.99	73.96	53.96	-5.23
2487.34	Ver	1.00	184	9.45	68.32	41.19	73.96	53.96	-5.64
2499.28	Ver	1.00	174	9.49	53.76	38.67	73.96	53.96	-15.29
2510.34	Ver	1.00	163	9.51	54.22	37.51	73.96	53.96	-16.45