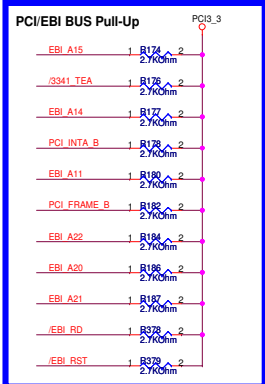
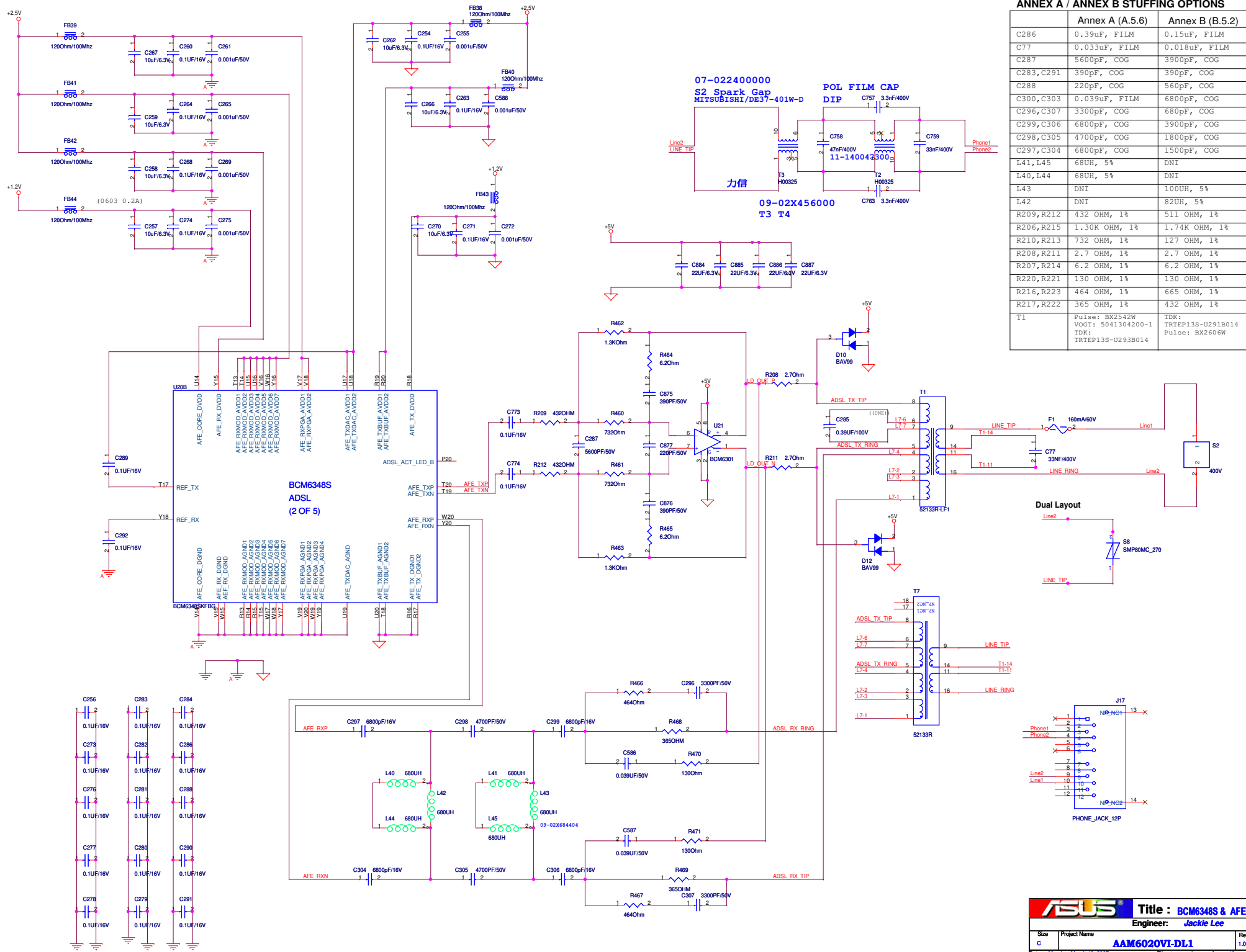


**BCM6348S
SDRAM AND MPI
(1 OF 5)**

S/W DOWNLOAD FLASH
MEMORY: 4M BYTES (2Mx16)

ANS29LV000T9E1
FLASH 05-001406631
AN29LV160MB-90E1

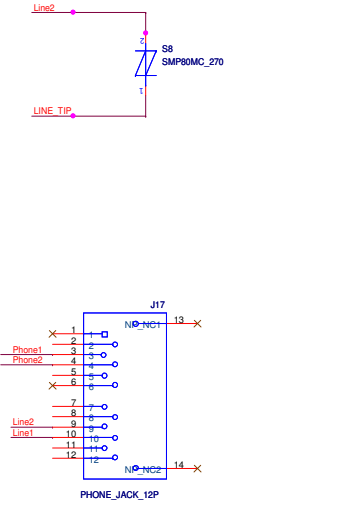


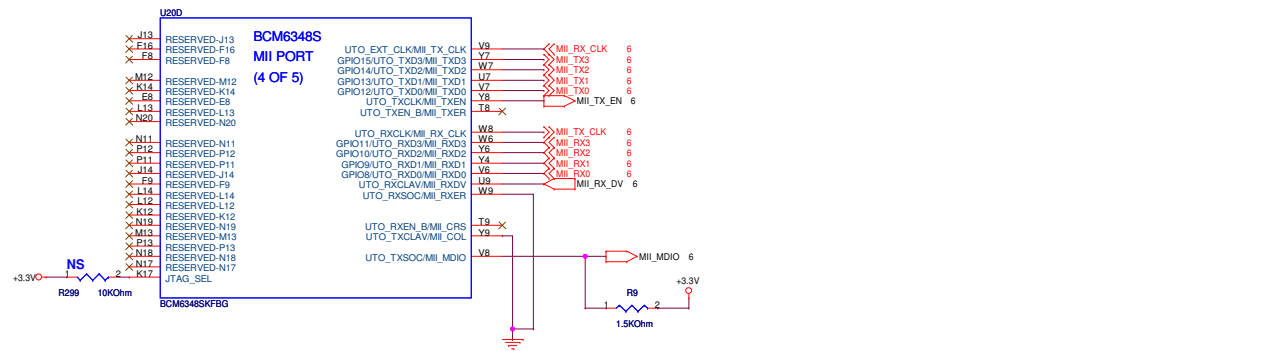
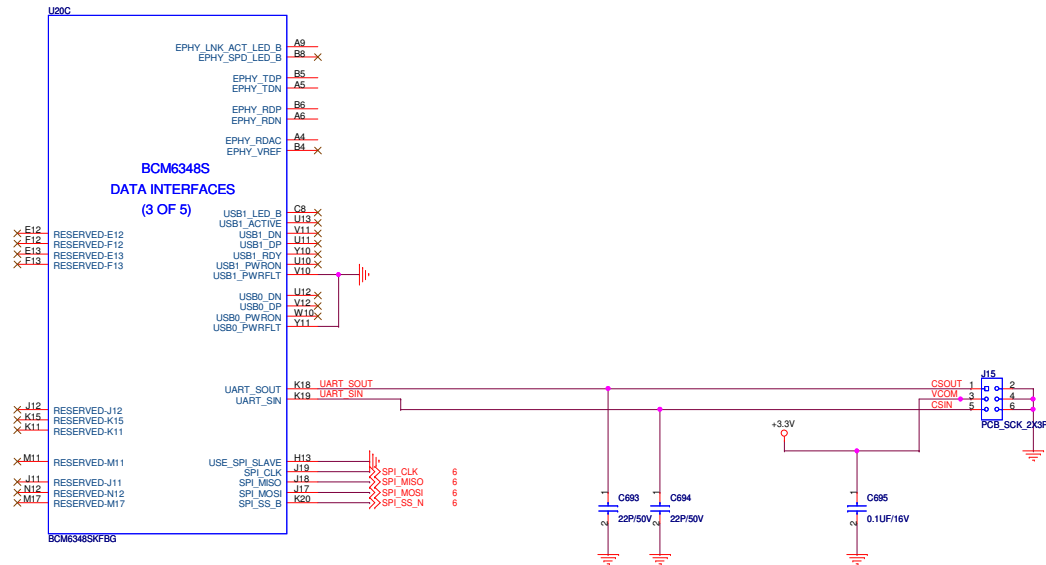


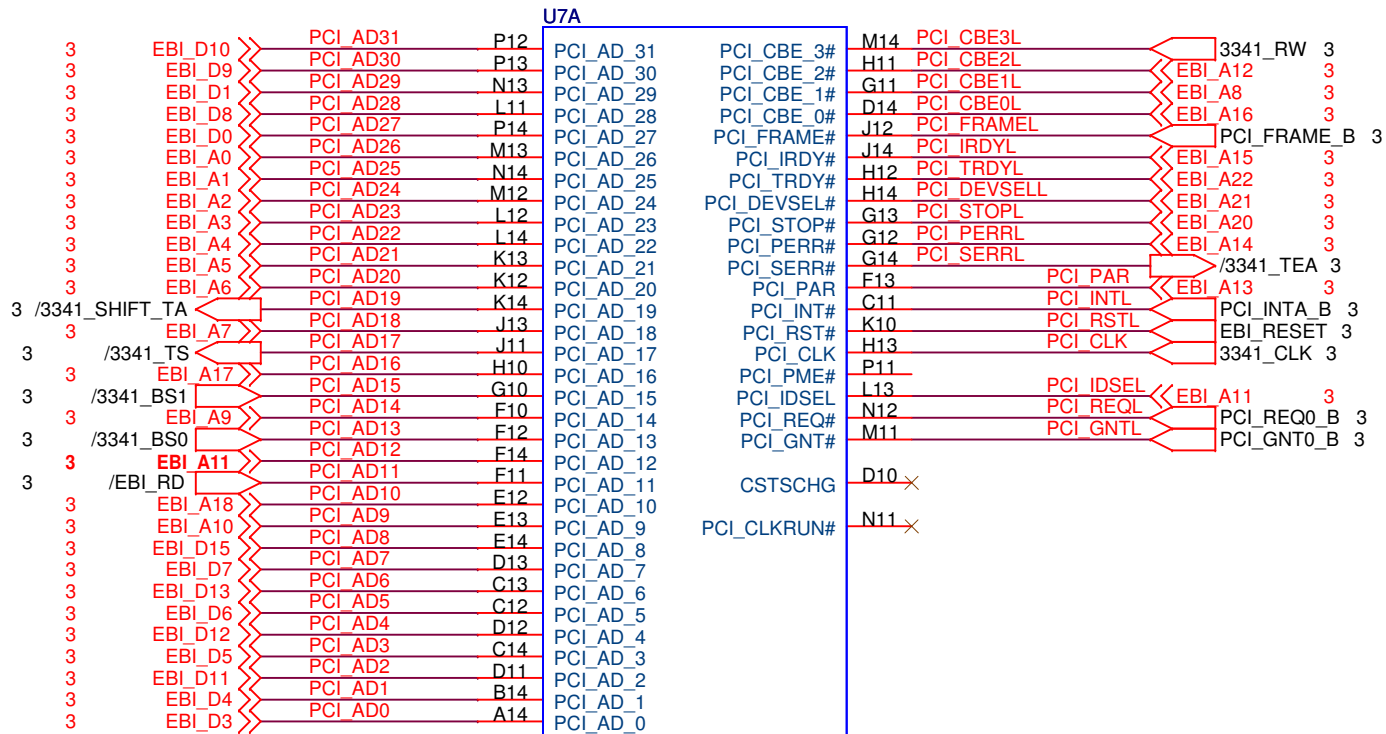
ANNEX A / ANNEX B STUFFING OPTIONS

	Annex A (A.5.6)	Annex B (B.5.2)
C286	0.39uF, FILM	0.15uF, FILM
C77	0.033uF, FILM	0.018uF, FILM
C287	5600pF, COG	3900pF, COG
C283, C291	390pF, COG	390pF, COG
C288	220pF, COG	560pF, COG
C300, C303	0.039uF, FILM	6800pF, COG
C296, C307	3300pF, COG	680pF, COG
C299, C306	6800pF, COG	3900pF, COG
C298, C305	4700pF, COG	1800pF, COG
C297, C304	6800pF, COG	1500pF, COG
L41, L45	68uH, 5%	DNI
L40, L44	68uH, 5%	DNI
L43	DNI	100uH, 5%
L42	DNI	82uH, 5%
R209, R212	432 OHM, 1%	511 OHM, 1%
R206, R215	1.30K OHM, 1%	1.74K OHM, 1%
R210, R213	732 OHM, 1%	127 OHM, 1%
R208, R211	2.7 OHM, 1%	2.7 OHM, 1%
R207, R214	6.2 OHM, 1%	6.2 OHM, 1%
R220, R221	130 OHM, 1%	130 OHM, 1%
R216, R223	464 OHM, 1%	665 OHM, 1%
R217, R222	365 OHM, 1%	432 OHM, 1%
T1	Pulse: BX2542W VOGT: 5041304200-1 TDK: TRTEP13S-U293B014	TDK: TRTEP13S-U291B014 Pulse: BX2606W

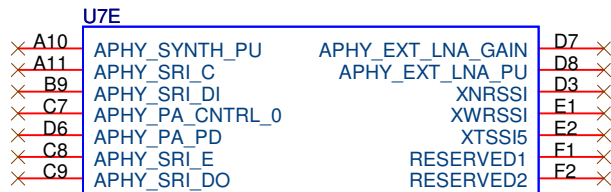
Dual Layout







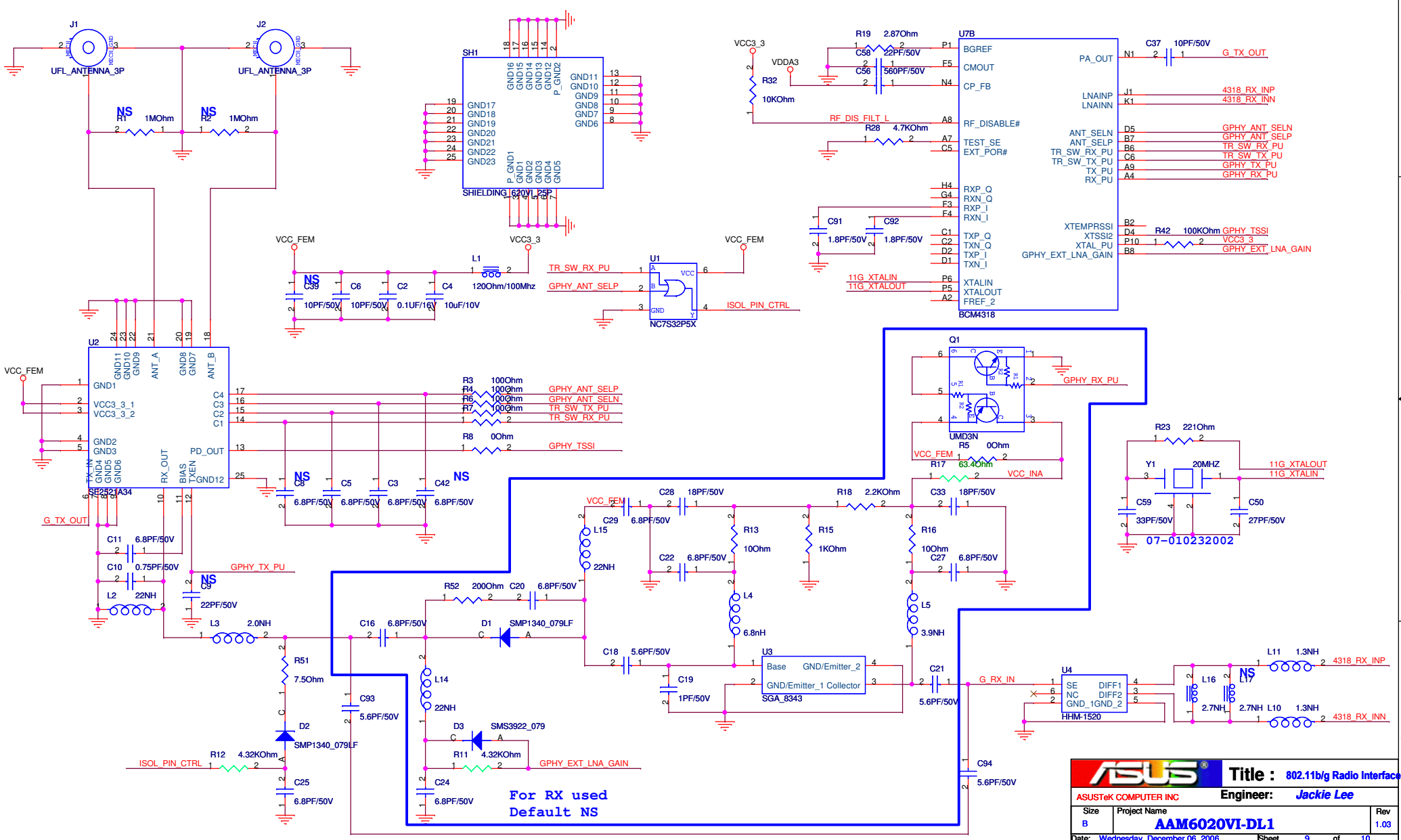
BCM4318



BCM4318



		Title : WiFi Module
ASUSTeK COMPUTER INC		Engineer: Jackie Lee
Size A	Project Name AAM6020VI-DL1	Rev 1.03
Date: Friday, December 08, 2006		Sheet 8 of 10



For RX used
Default NS

ASUS		Title : 802.11b/g Radio Interface	
ASUSTek COMPUTER INC		Engineer: Jackie Lee	
Size	Project Name		Rev
B	AAM6020VI-DL1		1.03
Date: Wednesday, December 06, 2006		Sheet	9 of 10

