

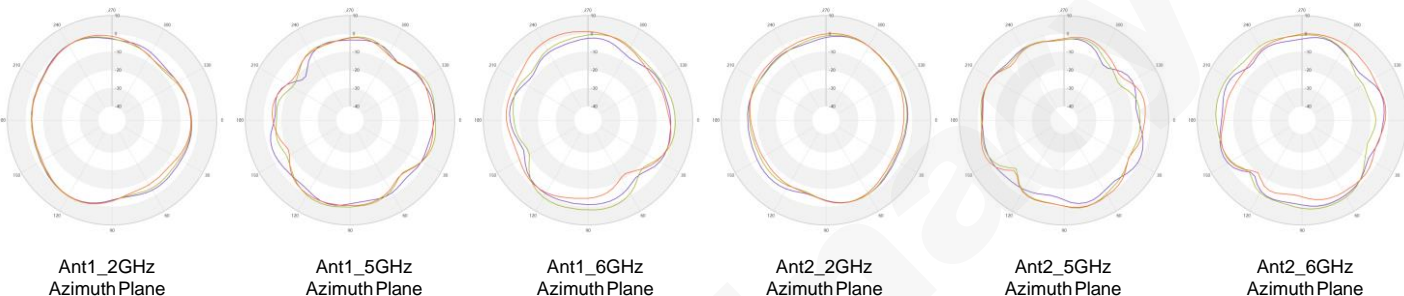
ALX24M-122AA0-00

Features

- 2GHz, 5GHz and Wi-Fi 6E wide Tri-band indoor embedded Omni-directional antenna
- High efficiency and quick integration

Applications

- USB Dongle

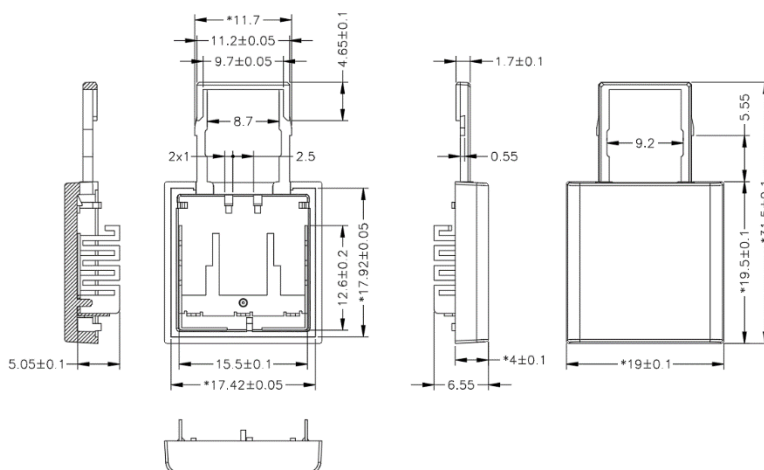


Electrical Specification

Category	Specification					
Antenna	1			2		
Frequency (MHz)	2400 - 2500	5150 - 5850	5925 - 7125	2400 - 2500	5150 - 5850	5925 - 7125
Peak Gain (dBi)	2.4	2.6	2.8	2.0	2.3	2.7
VSWR	2.0 : 1	2.3 : 1		2.0 : 1	2.3 : 1	
Polarization	Linear					
Power (Watts)	1					
Impedance (Ohms)	50					
Type	PIFA			PIFA		

Mechanical Specification

Category	Specification
Dimension (mm)	15.5 x 12.6 x 5.05
Thickness (mm)	0.3
Weight (g)	TBD
Connector	N/A
Cable	N/A
Cable Length (mm)	N/A
Material	Metal (SUS430)
Operating Temp (°C)	-40°C ~ +85°C
Storage Temp (°C)	23 ± 5°C
Storage Humidity (%)	30% ~ 70%



LYNwave Technology Ltd.
3F-6, No.327, Xuecheng Rd., Sanxia Dist.,
New Taipei City,
237624, Taiwan

Website: www.lynwave.com
Tel: +886 2 3501 8700
Email: service@lynwave.com

