

亞 驪 企 業 股 份 有 限 公 司
ARISTOTLE ENTERPRISES

承 認 申 請 書

客戶名稱: 捷超通訊科技股份有限公司
Customer
廠商料號: RFA-02-C2H1-06-150-白
Part No.
品名: 2.4GHz, 無鉛製程, 1.13,L=150mm
Description
圖號: RFA-02-C2H1-06-150-白.DWG
Drawing No.
客戶料號:
Drawing No.

出廠簽章:

檢 查 TEST BY	核 對 CHECK BY	承 認 APPROVE BY
周沂珮	黃秋芳	廖煥文

承認簽章:

檢 查 TEST BY	核 對 CHECK BY	承 認 APPROVE BY

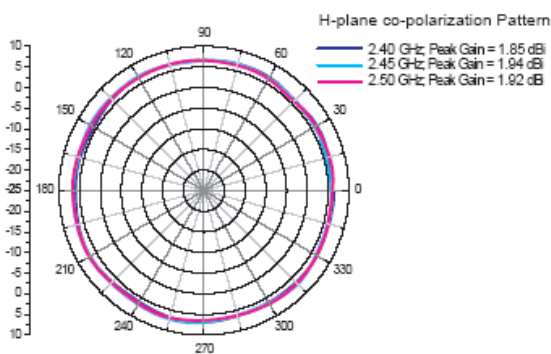
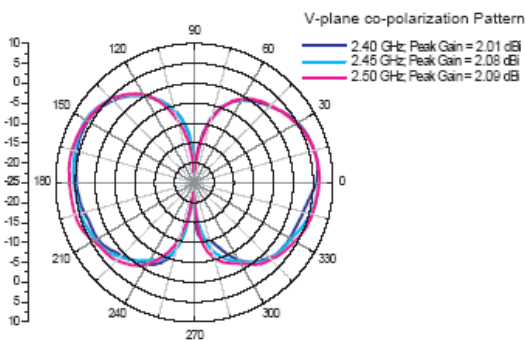
地址:台北縣中和市莒光路 63 號 8 樓

電話:02-2225-8209

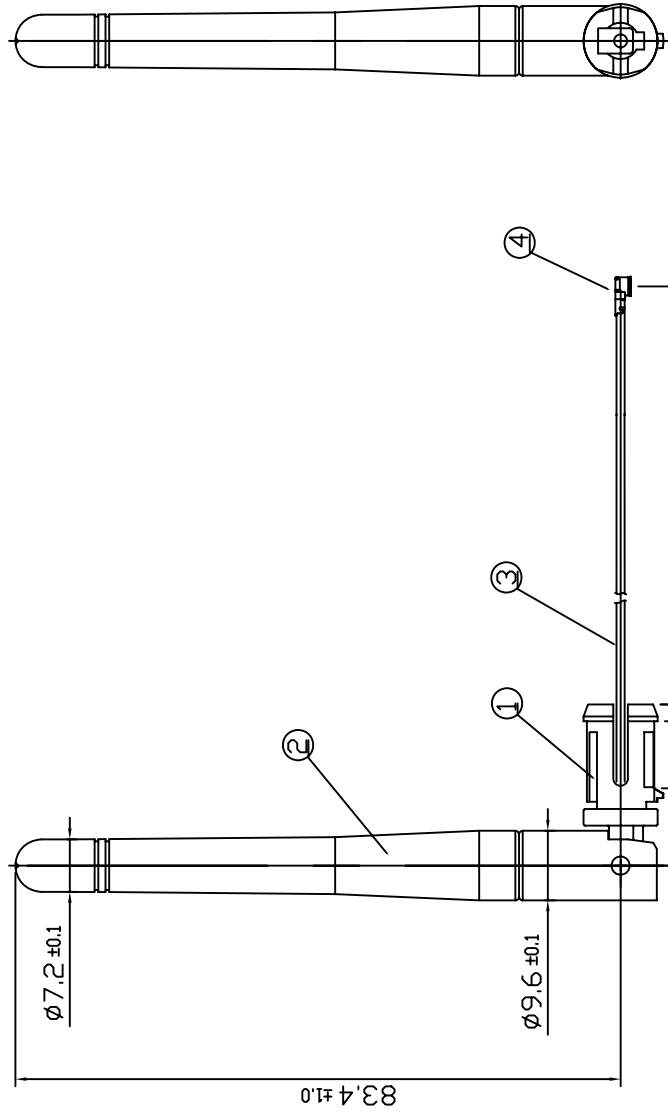
傳真:02-2225-7523

Specifications

Frequency range	2400 MHz – 2500 MHz
Antenna gain	2 dBi
VSWR	2.0 : 1 Max.
Polarization	Linear, vertical
Impedance	50 Ω
Temperature	- 10°C to +55°C
Connector	I-PEX
Cable	1.13



NO.	NAME	FINISH	MAT'L	Q'TY	MEMO
1.	Hinge	WHITE	ABS	1	
2.	Ant. Shell	WHITE	ABS	1	
3.	Cable	GRAY	TEFLON	1	□D=φ1.13
4.	Connector	GOLD PLATED	BRASS	1	20278-111R-13(I-PEX)



Aristonite ENTERPRISES INC.		TITLE	
PROJECTION	UNITS	mm	RFA-02-C2H1-06-150-白
	SCALE	1/1	2.4GHz, 平轉軸
	PAPER	A4	DWG NO.
APPD.			
CHKD.			
DESIGN			
DRAW			
REV	ECN	NAME	DATE
4.			
3.			
2.			
1.			

Aristonite ENTERPRISES INC.		TITLE	
PROJECTION	UNITS	mm	RFA-02-C2H1-06-150-白
	SCALE	1/1	2.4GHz, 平轉軸
	PAPER	A4	DWG NO.
APPD.			
CHKD.			
DESIGN			
DRAW			
REV	ECN	NAME	DATE
4.			
3.			
2.			
1.			

DESCRIPTION : Swivel Access Point Antenna

MODEL NO : RFA-02-C2H1-06-150-白

1.1 ELECTRICAL

Frequency Range: 2400~2500 MHZ

Gain: 2.0dBi

VSWR: ≤ 2

Polarization: Linear, Vertical

Impedance : 50Ω

Connector: IPEX MHF

Cable: $\varphi 1.13\text{mm}$

1.2 MECHANICAL

Condition : Non operating during test.

Material : PCABS(UL94V-0)

Endurance

Number of 90° rotation of the connector : 1000 cycles (min.)

Mandatory : Guaranty of functionalities after test.

Bending: Number of 90° at the hinge parts and bending on one direction with 1 kg force : 1000 cycles

Mandatory : No mechanical damage tolerated. Guaranty of functionalities after test.

Antenna resistance

Tests are applicable to all parts and both sides.

Traction: Tractions force applied 3 times on plugs during 15 second : 5 kg

Mandatory : No mechanical damage tolerated. Guaranty of functionalities after test.

1.3 ENVIROMENTAL

Storage

Condition : Non operating during test.

Cold: -40°C during 72h (IEC 68-2-1 standard Ab/Ad test)

Dry heat: +80°C during 96h (IEC 68-2-2 standard Bb/Bd test)

Humidity: +40°C at 95%R.H. during 4 days (IEC 68-2-56 standard Cb test)

Mandatory : No mechanical or visible damage tolerated. Guaranty of functionalities after test.

Operation

Condition : Operating during test.

Cold: -10°C during 48h (IEC 68-2-1 standard Ab/Ad test)

Dry heat: +55°C during 48h (IEC 68-2-2 standard Bb/Bd test)

Composite: -10°C to +55°C 95%R.H 4 cycles(IEC 68-2-30 standard Nb test)

Mandatory : No mechanical or visible damage tolerated. Guaranty of functionalities during and after test.