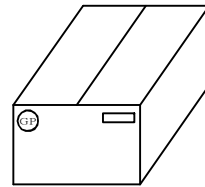
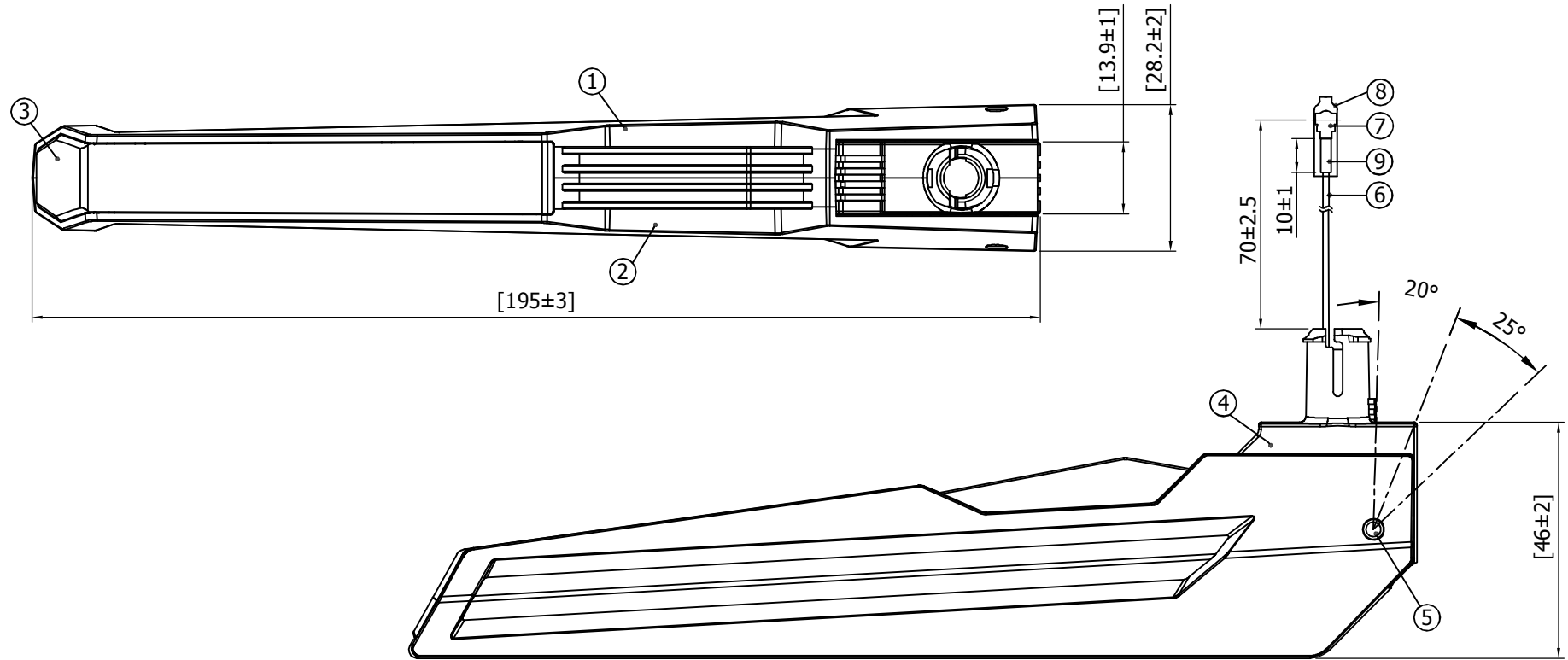


CG-

REV	DATE	DESCRIPTION
X1	12/01-2022	New Issue



GP標籤貼於紙箱側麥左上角(共2PCS)
外箱標籤貼於紙箱側麥右上角(共1PCS)

9	H.S Tube	Heat Shrink Tube;White[白色]	1	
8	Tube	Φ3.0*20 mm透明	1	
7	Connector	MHF Plug For φ1.37	1	
6	Cable	Φ1.37mm low loss Coaxial Cable ; Color : Black	1	
5	Rivet	Rivet;Brass;Black[黑色]	2	
4	Antenna Base	(CD-1886)PC+PBT;Color:Black[黑色]	1	
3	遮光片	(CD-1887)PC Color;半透黑	1	
2	Antenna Right Cover	(CD-1885)ABS Color;Black[黑色]	1	
1	Antenna Left Cover	(CD-1884)ABS ;Color:Black[黑色]	1	
NO	DESCRIPTION		Q'TY	REMARK

CUSTOMER'S SINGATURE	XX.	±3.0	APPROVED	CUSTOMER: ASUS		
	X.	±2.0	CHECKED	PART NO :		
	.X	±1.0		PARTNAME: RF Antenna Assembly		
	.XX	±0.5	DRAWING	W.Y P/NO : C660-510590-A		
	.XXX	±0.1		REV	UNIT	FILE : SRF20221985
			⊕	X1	m/m	SHEET : 1/1

M.gear Wha Yu Group

THIS DRAWING, AND ITS INHERANT DESIGN CONCEPTS, ARE THE PROPERTY OF WHA YU AND AS SUCH MAY NOT BE COPIED, REPRODUCED, OR GIVEN TO THIRD PARTIES WITHOUT THE WRITTEN CONSENT OF WHA YU.

2D Radiation Pattern Results

ANT4

