



WHA YU INDUSTRIAL CO., LTD.(HEAD OFFICE)

DONGGUAN AEON TECH CO.,LTD.(CHINA)

SPECIFICATION FOR APPROVAL

CUSTOMER: *ASUS*

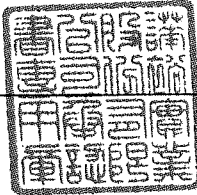
PART NAME: *RF Antenna Assembly*

PART NO.:

REVISION:

W. Y. P/NO.: *C660-510535-A(SRF2023209)*

REV.: *X4*

| | MANUFACTURER | CUSTOMER SIGNATURE |
|---------------|-----------------------------------|--|
| APPROVED BY : | <i>Daniel Stone</i> <i>何同春</i> |  |
| DATE : | | |

WHA YU GROUP

WHA YU INDUSTRIAL CO., LTD.(HEAD OFFICE)

譚裕實業股份有限公司

Address: No. 326, Sec. 2, Kung Tao 5 Road, Hsin Chu City, Taiwan, R.O.C.

Tel: +886-3-5714225(REP.)

Fax: +886-3-5713853 · +886-3-5723600

DONGGUAN AEON TECH CO., LTD.(CHINA)

東莞台霖電子通訊有限公司

Address: Hupan Industrial District, Tai Ling Shan Town, Dong Guan City, Guangdong, China

Tel: +86-769-85655858

Fax: +86-769-85655258

Contents

| <i>Item</i> | <i>Description</i> | <i>Page</i> |
|-------------|--------------------|-------------|
| 1. | 規格表 | 1 |
| 2. | 成品圖 | 2 |
| 3. | 測試報告 | 3~4 |

RF Antenna Assembly

Specification

1. Electrical Properties With housing

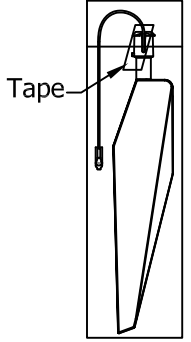
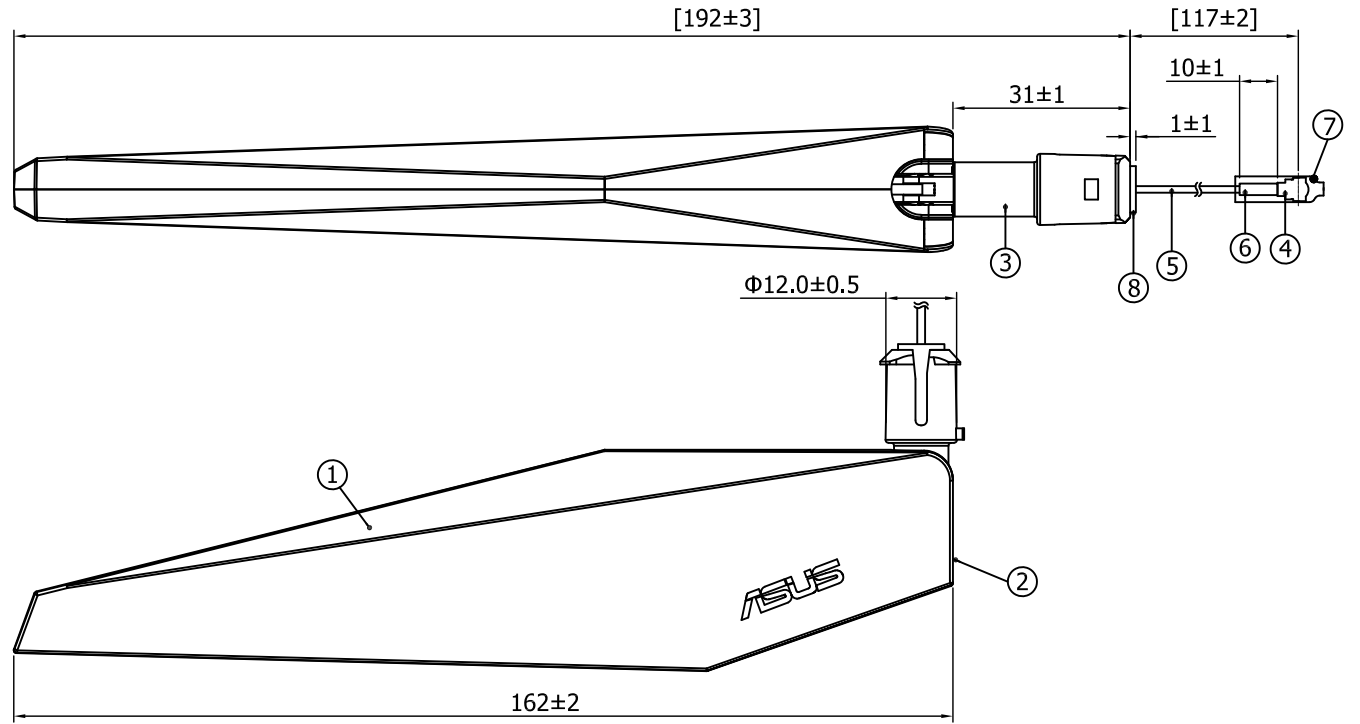
| | |
|--------------------------|-----------------------------|
| 1.1 Frequency Range..... | 5.935 ~ 7.125GHz |
| 1.2 Impedance | 50Ω Nominal |
| 1.3 VSWR | 1.92 : 1 Max. |
| 1.4 Return Loss..... | 10 dB Min. |
| 1.5 Radiation | Omni-directional |
| 1.6 2D Peak Gain..... | 5.935 ~ 7.125GHz @ 3.93dBi |
| 1.7 Cable Loss..... | 1.7 dB Max. |
| 1.8 Polarization..... | Linear |
| 1.9 Cable..... | 1.37 low loss Coaxial Cable |
| 1.10 Connector..... | I-PEX MHF 4L Connector |
| 1.11 Core..... | NA |

2. Physical Properties :

| | |
|--------------------------|---------------|
| 2.1 Operating Temp. | -10°C ~ +60°C |
| 2.2 Storage Temp. | -10°C ~ +70°C |

CG-

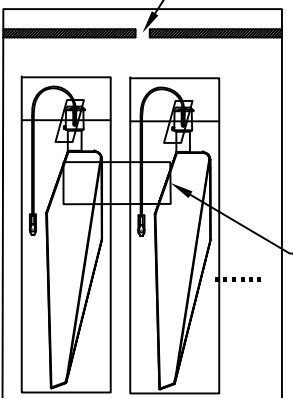
| REV | DATE | DESCRIPTION |
|-----|------------|--------------|
| X1 | 10/08-2020 | New Issue |
| X8 | 02/16-2022 | 修改客戶料號、增加備註3 |
| X9 | 02/22-2023 | 刪除下固備註3 |



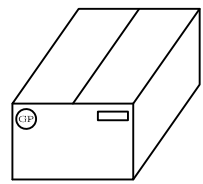
推力測試位置

Packing: 1PCS/bag

熱封留氣孔



Packing: 10PCS/bag



GP標籤貼於紙箱側麥左上角(共2PCS)
外箱標籤貼於紙箱側麥右上角(共1PCS)

| 8 | EVA | Φ8.5*15 mm | 1 | |
|----|--------------|---------------------------------|------|--------|
| 7 | Tube | Φ2.35*20 mm | 1 | |
| 6 | H.S Tube | Heat Shrink Tube;Red[紅色] | 1 | |
| 5 | Cable | Φ1.37mm Low Loss Cable;Gray[灰色] | 1 | |
| 4 | Connector | I-PEX MHF 4L Plug | 1 | |
| 3 | Antenna Base | (CD-1718)PC ;Color:Black[黑色] | 1 | |
| 2 | Back Cover | (CD-1739)PC/ABS Cover;岩版灰 | 1 | |
| 1 | Antenna Cap | (CD-1738)ABS ;Color:Black[黑色] | 1 | |
| NO | DESCRIPTION | | Q'TY | REMARK |

| | | |
|------|------|--------------------|
| XXX. | ±5.0 | APPROVED Spring |
| XX. | ±3.0 | |
| X. | ±1.0 | CHECKED |
| .X | ±0.5 | |
| .XX | ±0.2 | DRAWING 白玉俠 |
| ☉ | | |

| | | | |
|------------|------|---------------------|--------------|
| CUSTOMER: | | ASUS | |
| PART NO : | | | |
| PARTNAME: | | RF Antenna Assembly | |
| W.Y P/NO : | | C660-510535-A | |
| REV | UNIT | FILE | : SRF2023209 |
| X9 | m/m | SHEET | : 1/1 |

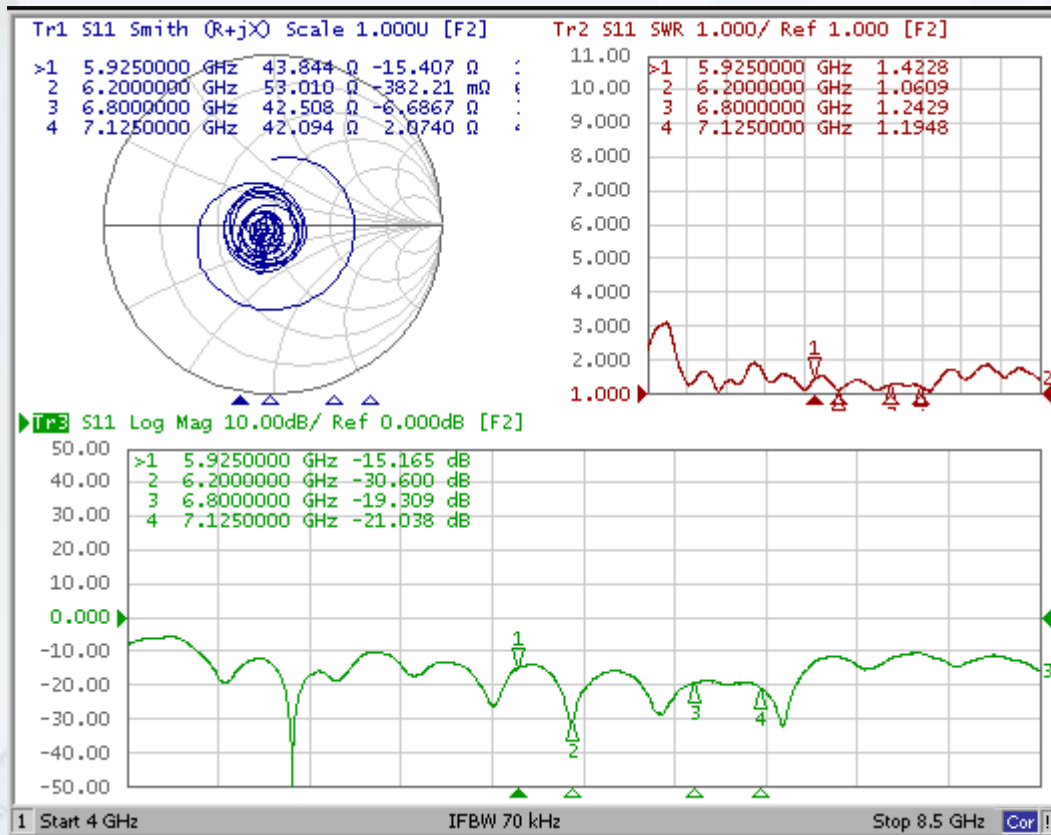
| |
|----------------------|
| CUSTOMER'S SINGATURE |
| |

M.gear Wha Yu Group

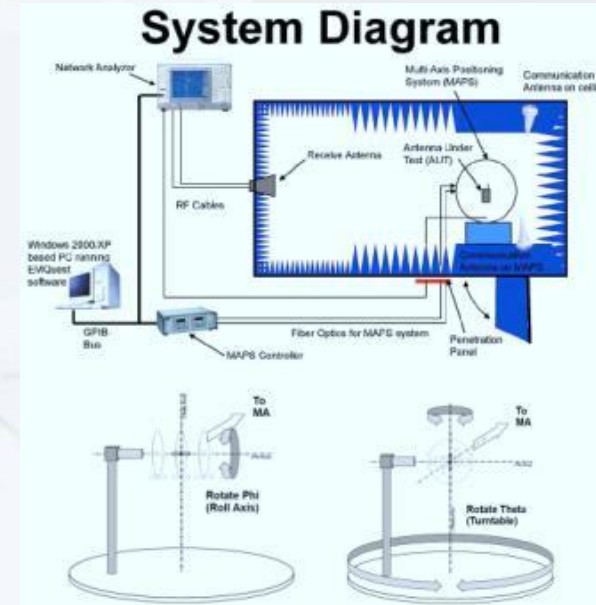
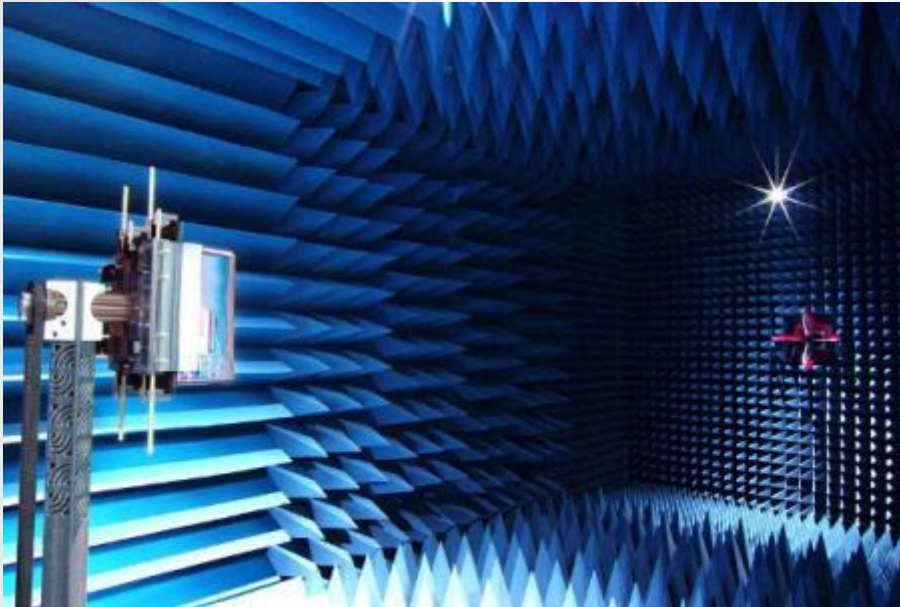
THIS DRAWING, AND IT'S INHERANT DESIGN CONCEPTS, ARE THE PROPERTY OF WHA YU AND AS SUCH MAY NOT BE COPIED, REPRODUCED, OR GIVEN TO THIRD PARTIES WITHOUT THE WRITTEN CONSENT OF WHA YU.

Return Loss Results

ANT5 (59350MHz~7125MHz) (Criterion:>10 dB)



Chamber Information

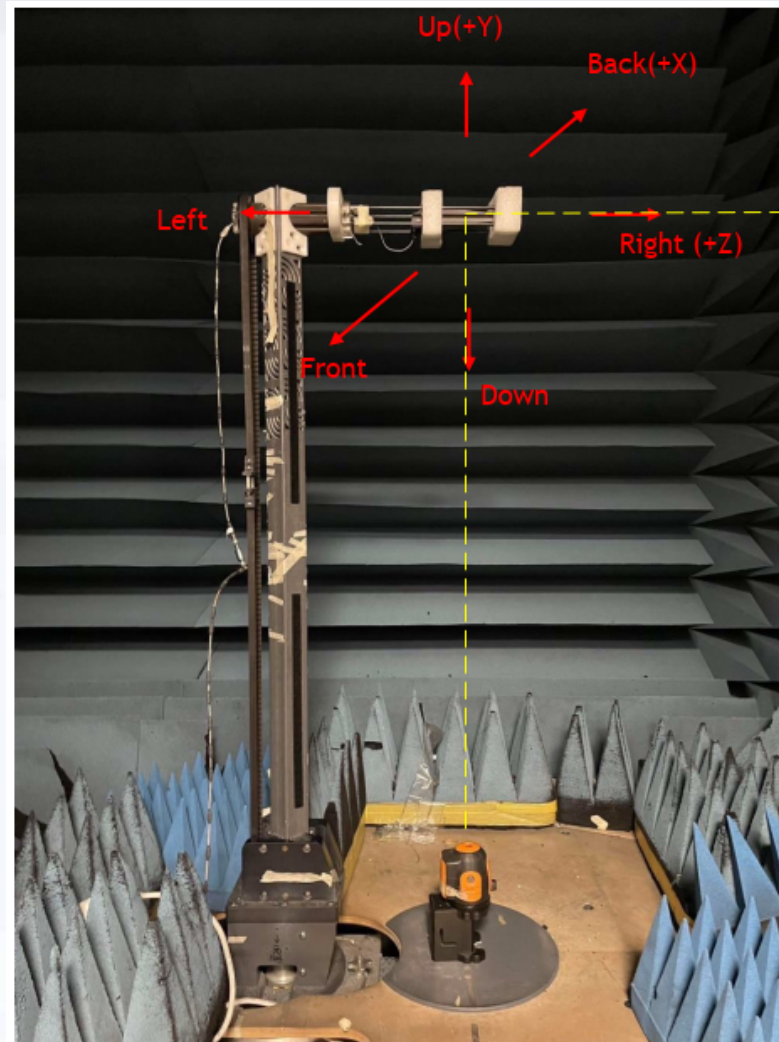


| Chamber | Brand | Model | Location |
|---------|-------|----------|----------------------------|
| ETS | ETS | AMS-8200 | Taiwan HsinChu Whayu |

依照CTIA 所規範的測試程序,進行場強的測試 · 測試誤差<1dB

| | θ | φ |
|-------------------------------|----------|-----------|
| Total angle | 180° | 360° |
| How many angle scan one point | 5° | 5° |
| Total scan point | 36 | 72 |

Test Setup for Radiation Pattern Measurement



WHA YU INDUSTRIAL CO., LTD.
TEL : 886-3-5714225 FAX : 886-3-5713853 / 5723600¹
Website : www.whayu.com
E-mail : market@whayu.com

2D Radiation Pattern Results

Dipole_ANT5 (6G)

