



WHA YU INDUSTRIAL CO., LTD.(HEAD OFFICE)

DONGGUAN AEON TECH CO.,LTD.(CHINA)

SPECIFICATION FOR APPROVAL

CUSTOMER: *ASUS*

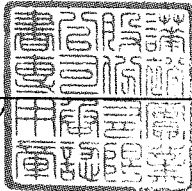
PART NAME: *RF Antenna Assembly*

PART NO.:

REVISION:

W. Y. P/NO.: *C660-510538-A(SRF2023212)*

REV.: *X4*

	MANUFACTURER	CUSTOMER
APPROVED BY :	<i>Danzel</i> <i>Stone</i>	SIGNATURE
DATE :	<i>2/23</i>	

WHA YU GROUP

WHA YU INDUSTRIAL CO., LTD.(HEAD OFFICE)

譚裕實業股份有限公司

Address: No. 326, Sec. 2, Kung Tao 5 Road, Hsin Chu City, Taiwan, R.O.C.

Tel:+886-3-5714225(REP.) Fax:+ 886-3-5713853 · + 886-3-5723600

DONGGUAN AEON TECH CO.,LTD.(CHINA)

東莞台霖電子通訊有限公司

Address:Hupan Industrial District,Tai Ling Shan Town,Dong Guan City,Guangdong,China

Tel:+86-769-85655858 Fax:+86-769-85655258

Contents

<i>Item</i>	<i>Description</i>	<i>Page</i>
1.	規格表 1
2.	成品圖 2
3.	測試報告 3~4

RF Antenna Assembly

Specification

1. Electrical Properties With housing

1.1 Frequency Range.....	5.935 ~ 7.125GHz
1.2 Impedance	50Ω Nominal
1.3 VSWR	1.92 : 1 Max.
1.4 Return Loss.....	10 dB Min.
1.5 Radiation	Omni-directional
1.6 2D Peak Gain.....	5.935 ~ 7.125GHz @ 3.56dBi
1.7 Cable Loss.....	1.5 dB Max.
1.8 Polarization.....	Linear
1.9 Cable.....	1.37 low loss Coaxial Cable
1.10 Connector.....	I-PEX MHF 4L Connector
1.11 Core.....	NA

2. Physical Properties :

2.1 Operating Temp.	-10°C ~ +60°C
2.2 Storage Temp.	-10°C ~ +70°C

CG-

REV	DATE	DESCRIPTION
X1	10/08-2020	New Issue
X8	02/16-2022	修改客戶料號、增加備註T3
X9	02/22-2023	刪除下固備註T3

1

2

3

4

5

6

1

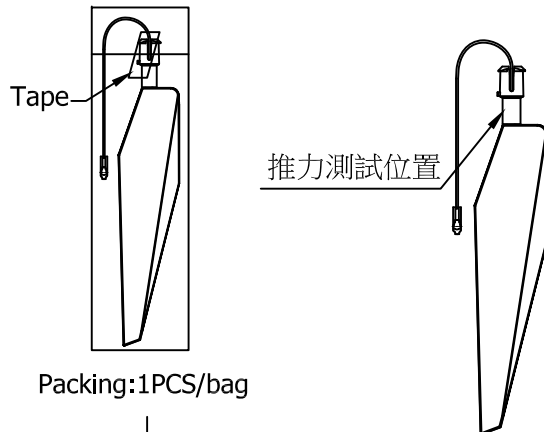
2

3

4

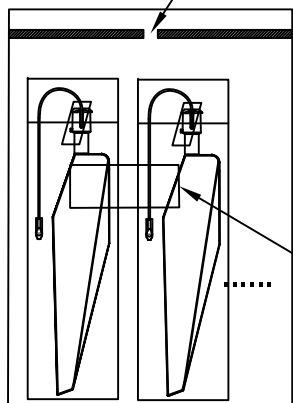
5

6



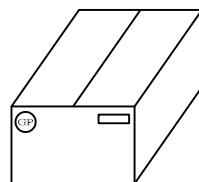
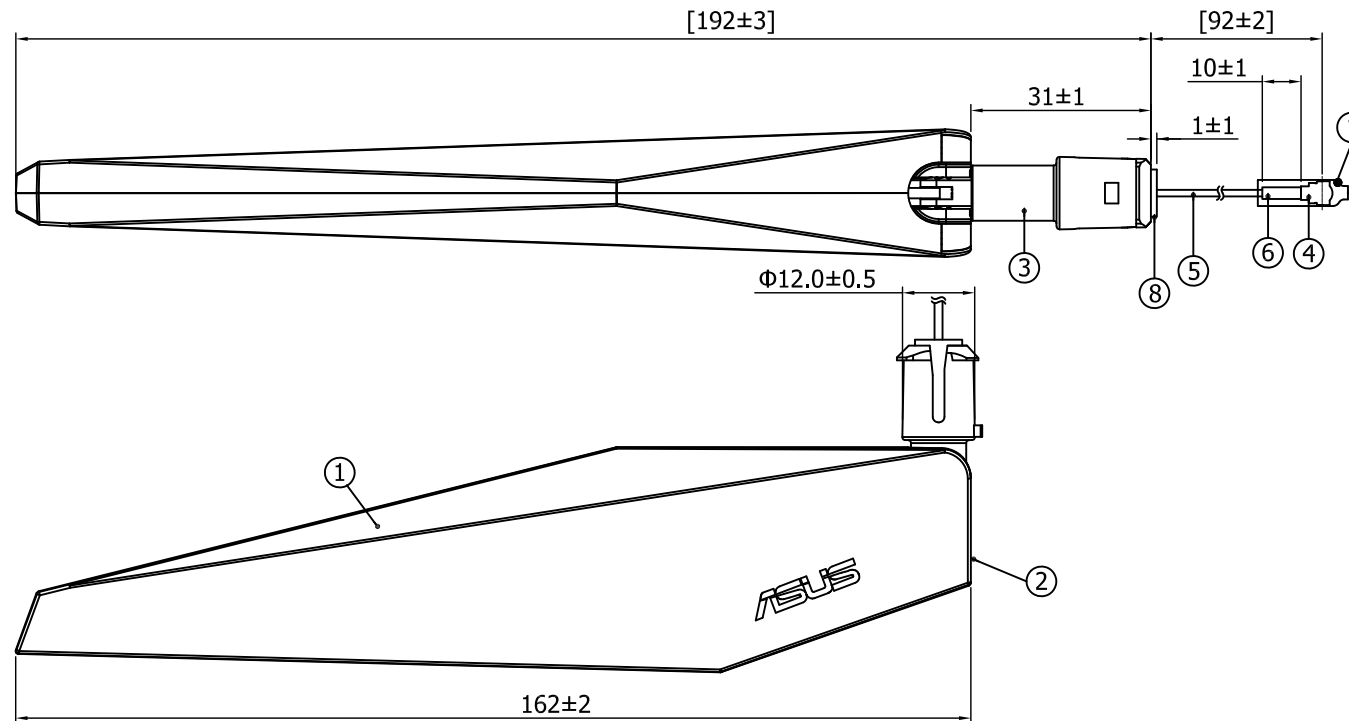
Packing:1PCS/bag

熱封留氣孔



Packing:10PCS/bag

CUSTOMER'S SINGATURE



GP標籤貼於紙箱側麥左上角(共2PCS)
外箱標籤貼於紙箱側麥右上角(共1PCS)

8	EVA	Φ8.5*15 mm	1	
7	Tube	Φ2.35*20 mm	1	
6	H.S Tube	Heat Shrink Tube;White[白色]	1	
5	Cable	Φ1.37mm Low Loss Cable;Gray[灰色]	1	
4	Connector	I-PEX MHF 4L Plug	1	
3	Antenna Base	(CD-1718)PC ;Color:Black[黑色]	1	
2	Back Cover	(CD-1739)PC/ABS Cover;岩版灰	1	
1	Antenna Cap	(CD-1738)ABS ;Color:Black[黑色]	1	
NO	DESCRIPTION		Q'TY	REMARK

CUSTOMER:		ASUS	
PART NO :			
PARTNAME:		RF Antenna Assembly	
W.Y P/NO :		C660-510538-A	
REV	UNIT	FILE	: SRF20223212
X9	m/m	SHEET	: 1/1

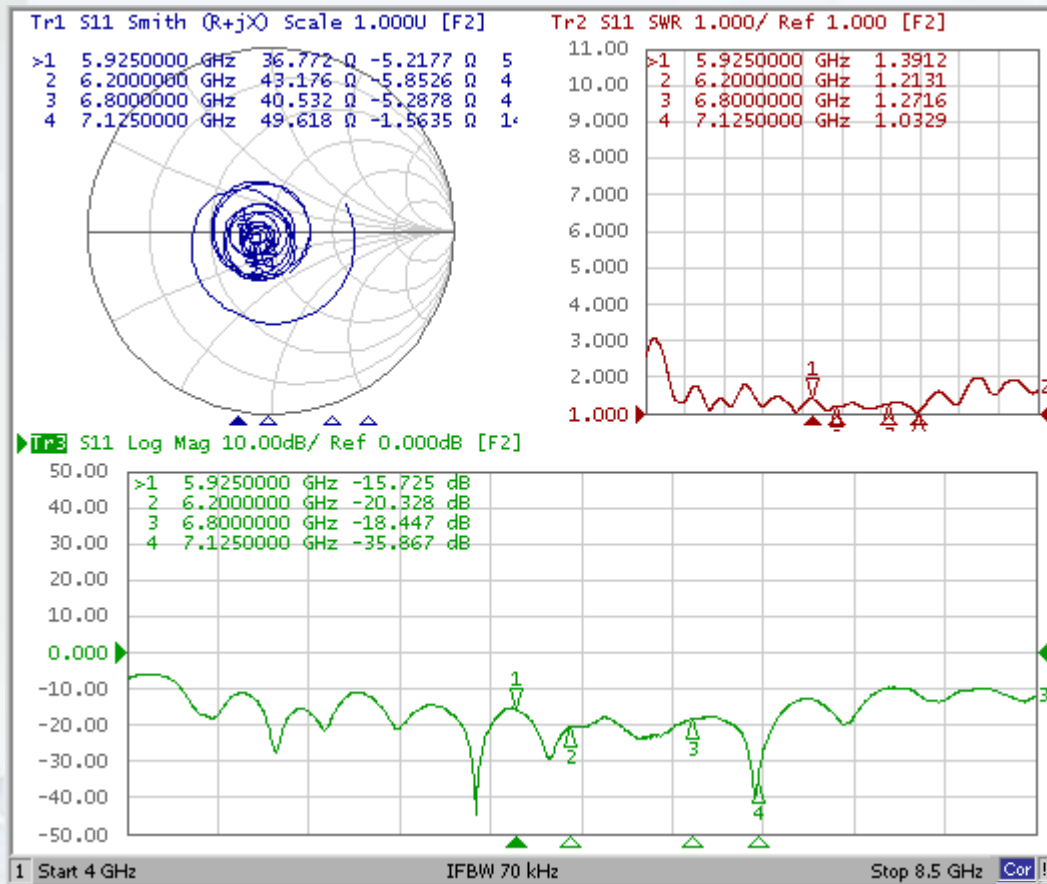
M.gear Wha Yu Group

THIS DRAWING, AND ITS INHERANT DESIGN CONCEPTS, ARE THE PROPERTY OF WHA YU AND AS SUCH MAY NOT BE COPIED, REPRODUCED, OR GIVEN TO THIRD PARTIES WITHOUT THE WRITTEN CONSENT OF WHA YU.

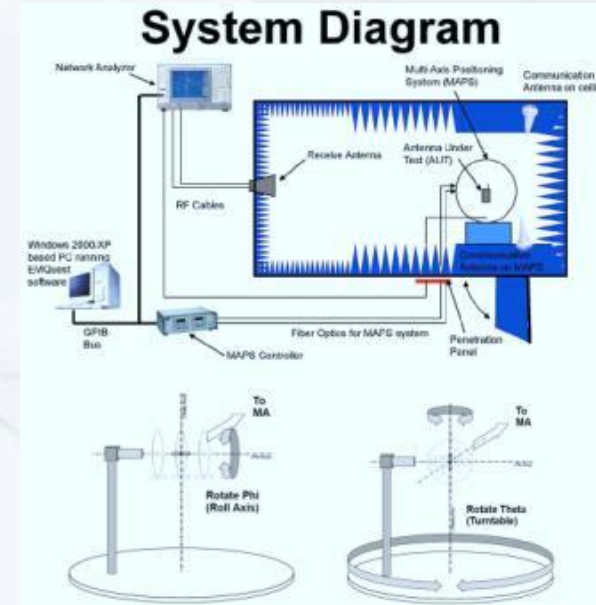
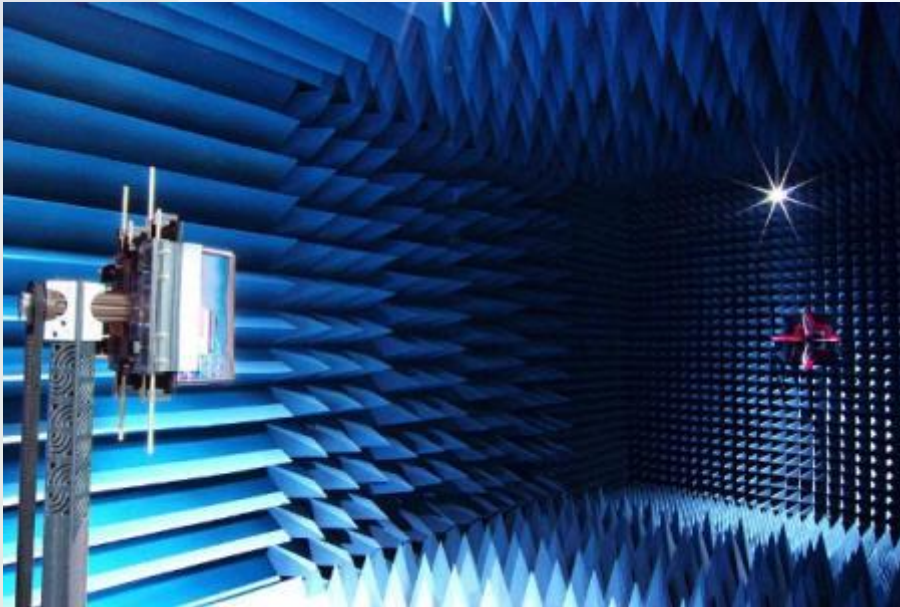
XXX.	±5.0	APPROVED
XX.	±3.0	Spring
X.	±1.0	CHECKED
.X	±0.5	
.XX	±0.2	DRAWING
☉		白玉俠

Return Loss Results

ANT8 (59350MHz~7125MHz) (Criterion:>10 dB)



Chamber Information

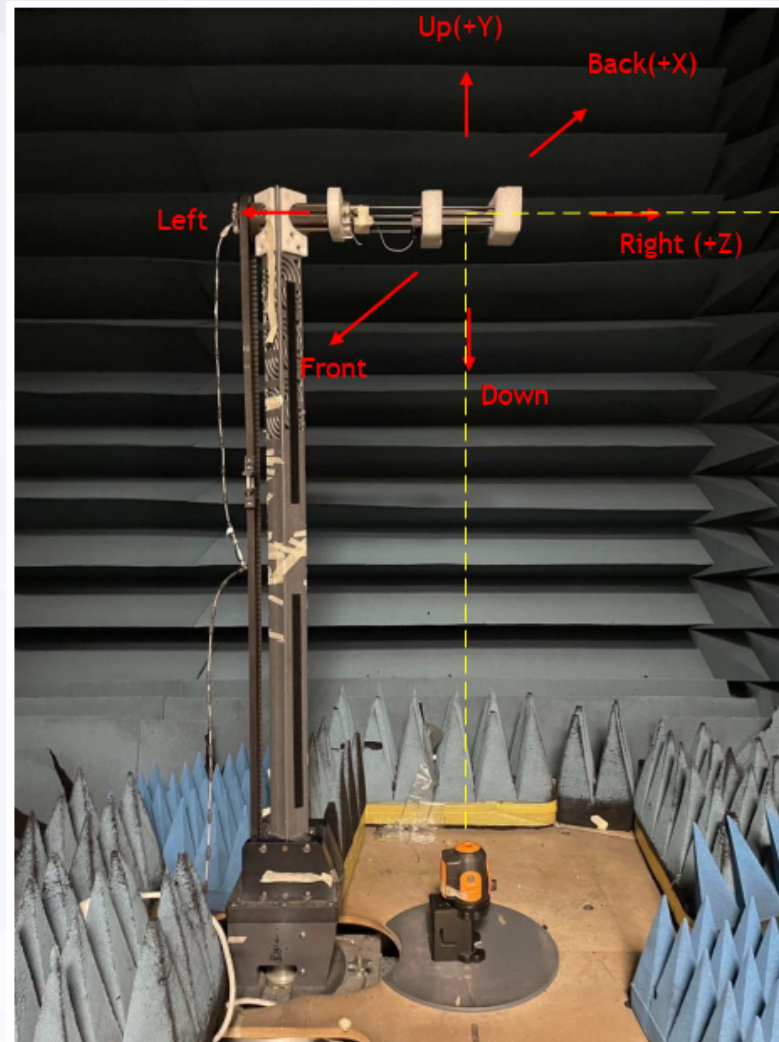


Chamber	Brand	Model	Location
ETS	ETS	AMS-8200	Taiwan HsinChu Whayu

依照CTIA 所規範的測試程序,進行場強的測試 · 測試誤差<1dB

	θ	φ
Total angle	180°	360°
How many angle scan one point	5°	5°
Total scan point	36	72

Test Setup for Radiation Pattern Measurement



WHA YU INDUSTRIAL CO., LTD.
TEL : 886-3-5714225 FAX : 886-3-5713853 / 5723600¹
Website : www.whayu.com
E-mail : market@whayu.com

2D Radiation Pattern Results

Dipole_ANT8(6G)

