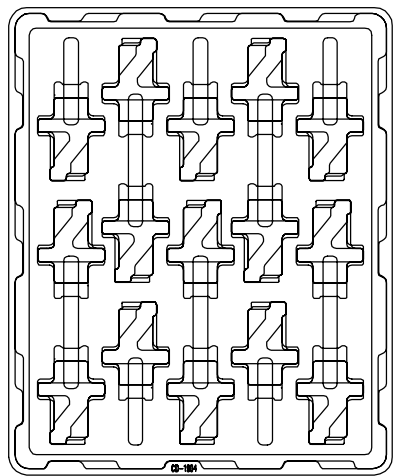
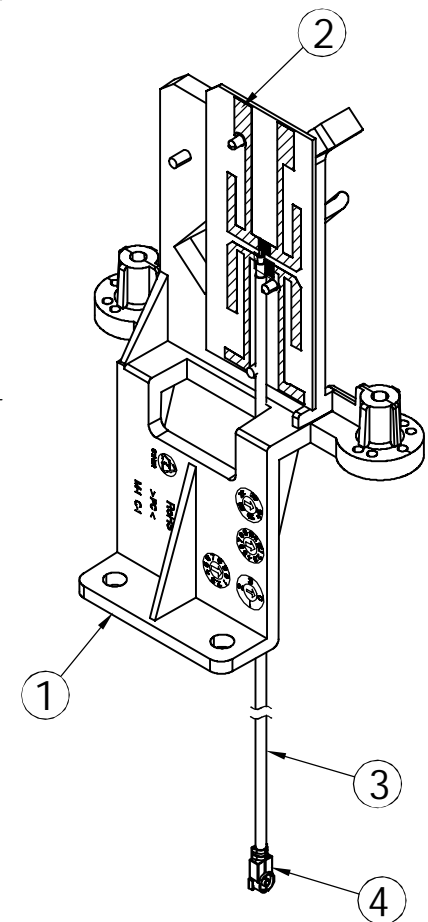
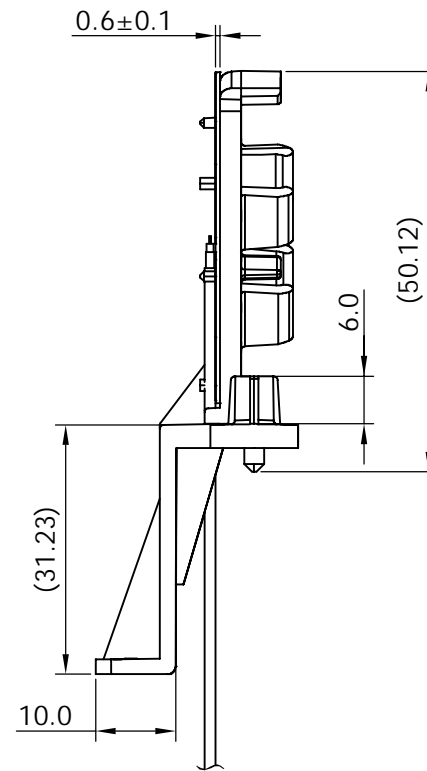
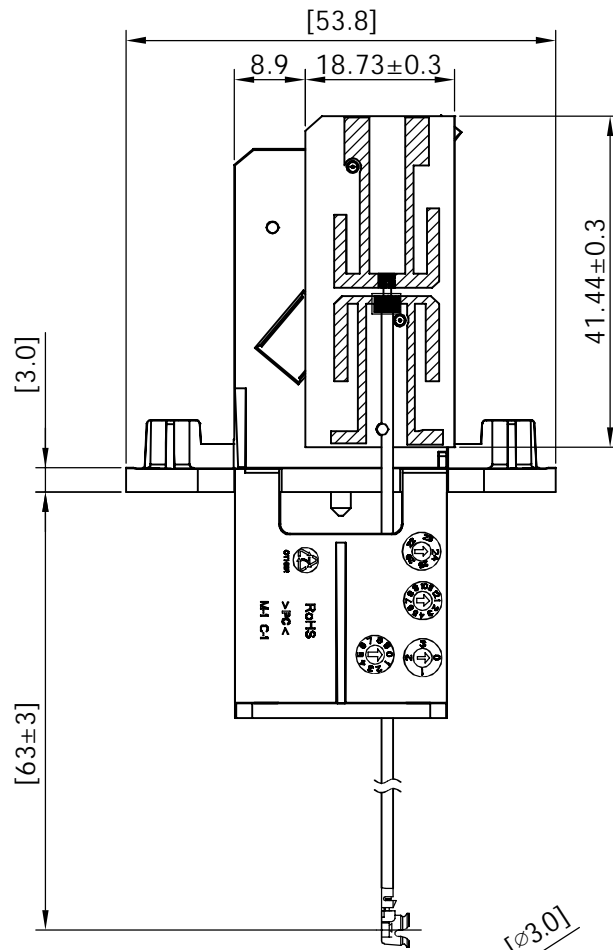
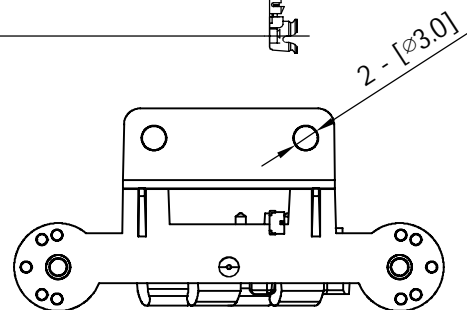


CG-

REV	DATE	DESCRIPTION
X1	01/10-2023	New Issue



Packing : 15pcs/Tray



※ ASUS與正文對應料號如下

ASUS料號	正文料號
C660-510603-A	C210-510593-A

NO	DESCRIPTION	Q'TY	REMARK
4	Connector I-PEX MHF Connector	1	
3	Cable Φ1.37mm Low loss Cable;L=90±3mm;Black[黑色]	1	
2	PCB FR4;24mil;1/2 Oz	1	
1	Holder PCR-PC6600 ; 白色	1	

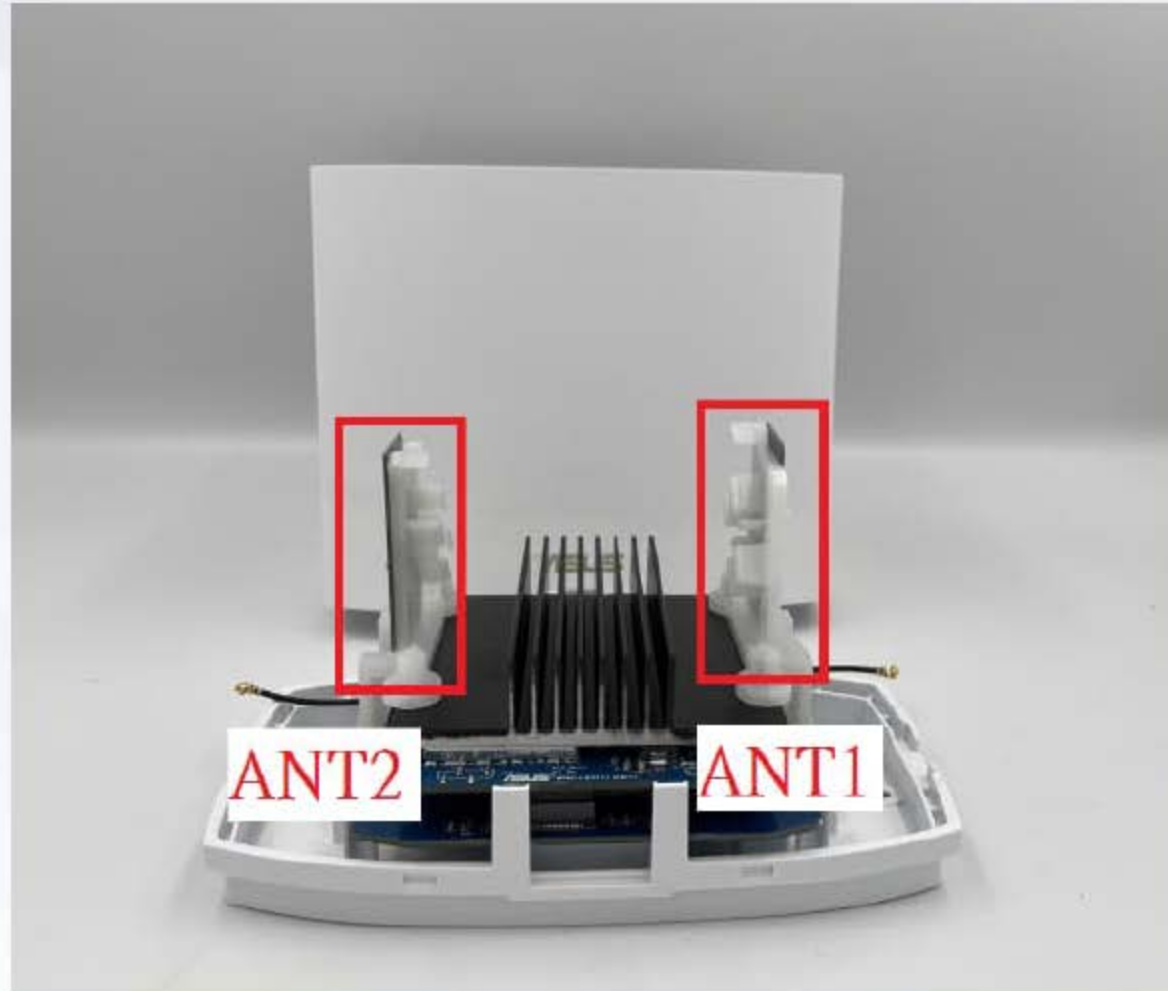
CUSTOMER'S SINGATURE

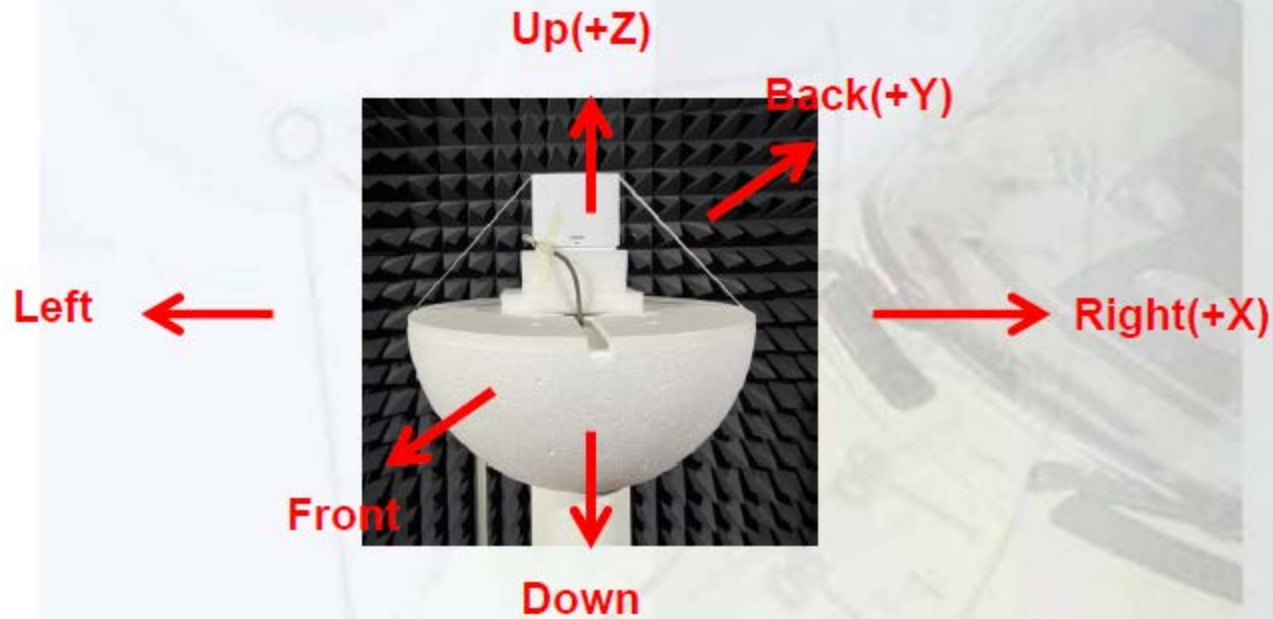
180-315	±0.20	APPROVED
80-180	±0.15	
30-80	±0.15	CHECKED
6-30	±0.10	
0-6	±0.05	DRAWING

CUSTOMER: ASUS		
PART NO :		
PART NAME: RF Antenna Assembly		
W.Y P/NO : C660-510603-A		
REV	UNIT	FILE : SRF2023046
X1	mm	SHEET : 1/1

M.gear Wha Yu Group
 THIS DRAWING, AND IT'S INHERANT DESIGN CONCEPTS, ARE THE PROPERTY OF WHA YU AND AS SUCH MAY NOT BE COPIED, REPRODUCED, OR GIVEN TO THIRD PARTIES WITHOUT THE WRITTEN CONSENT OF WHA YU.

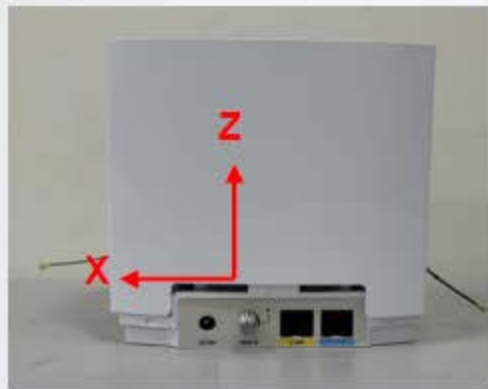
Antenna Placement & Solution





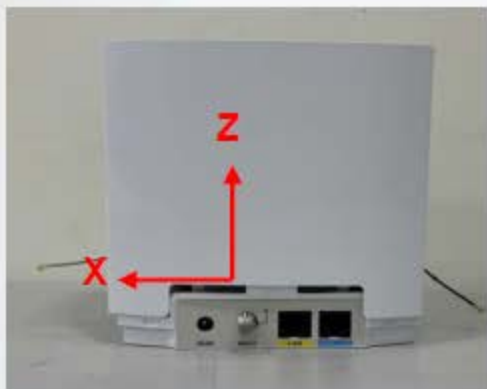
2D Radiation Pattern Results

(Dual Band)_ANT1 (2.4G)



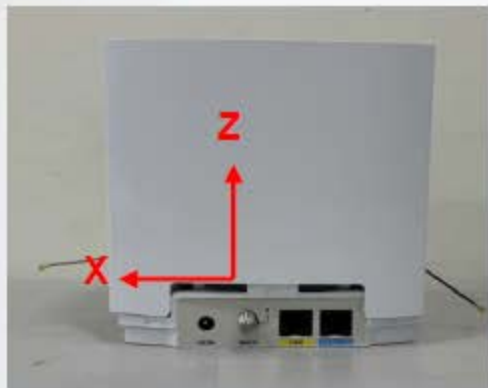
2D Radiation Pattern Results

(Dual Band)_ANT1 (5G)



2D Radiation Pattern Results

(Dual Band)_ANT2 (2.4G)



2D Radiation Pattern Results

(Dual Band)_ANT2 (5G)

