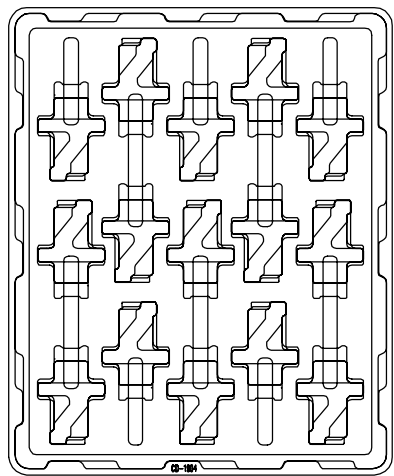
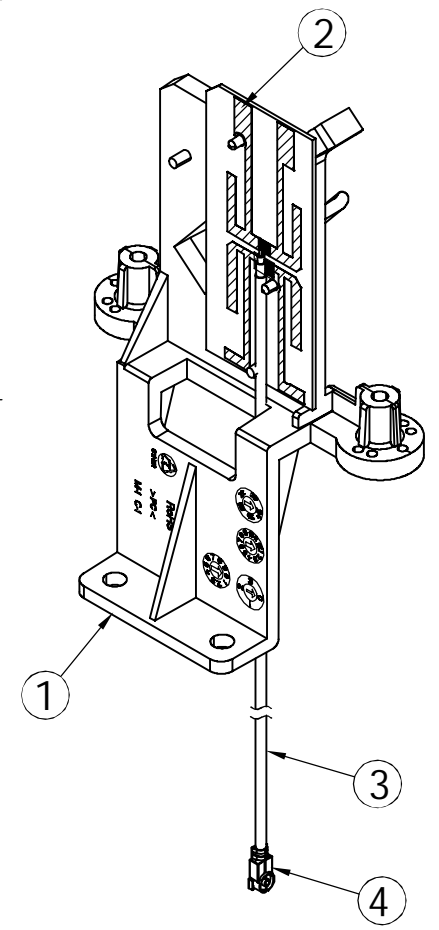
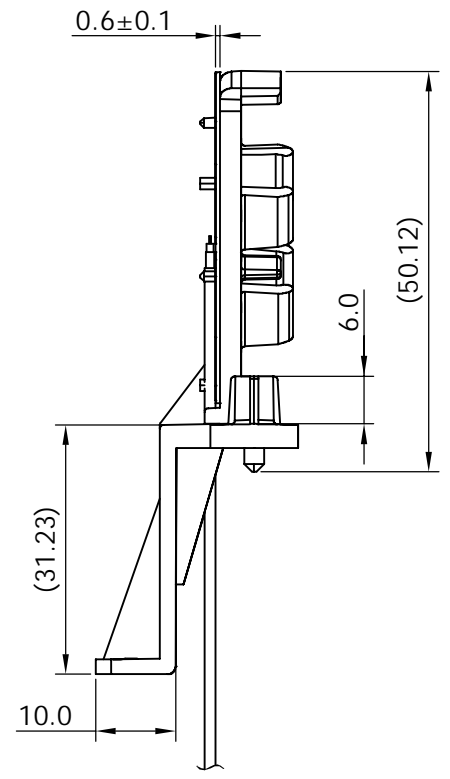
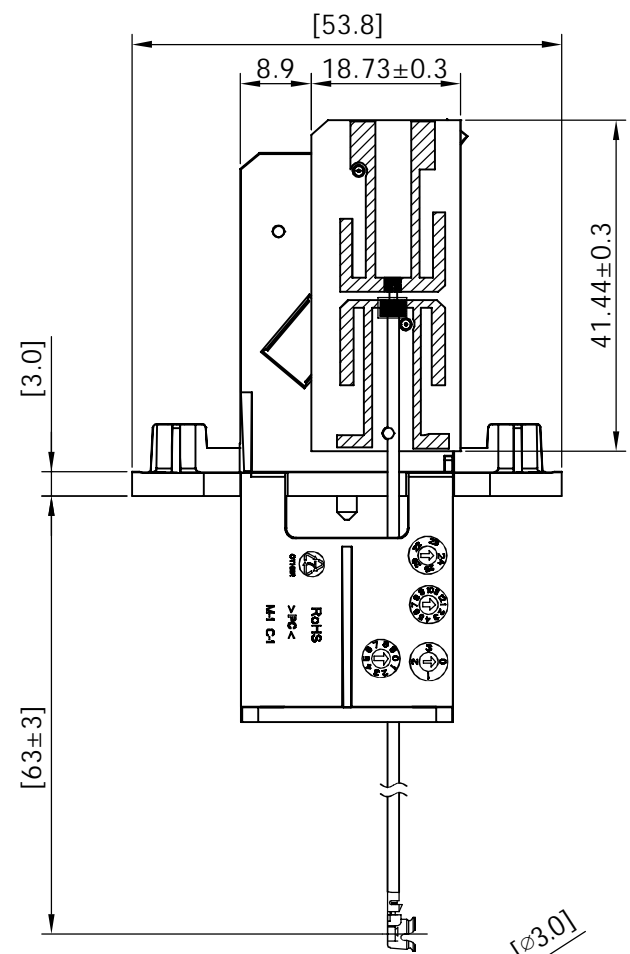
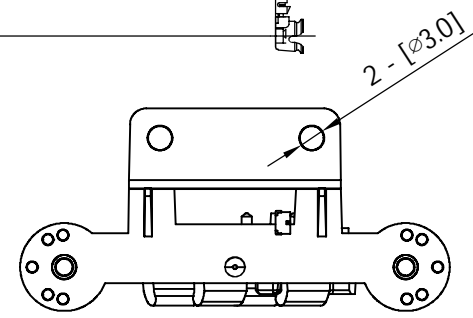


CG-

REV	DATE	DESCRIPTION
X1	05/19-2023	New Issue



Packing : 15pcs/Tray



NO	DESCRIPTION	Q'TY	REMARK
4	Connector I-PEX MHF Connector	1	
3	Cable Φ 1.37mm Low loss Cable;L=90±3mm;Black[黑色]	1	
2	PCB FR4;24mil;1/2 Oz	1	
1	Holder PCR-PC6600 ; 白色	1	

180-315	±0.20	APPROVED
80-180	±0.15	
30-80	±0.15	CHECKED
6-30	±0.10	
0-6	±0.05	DRAWING

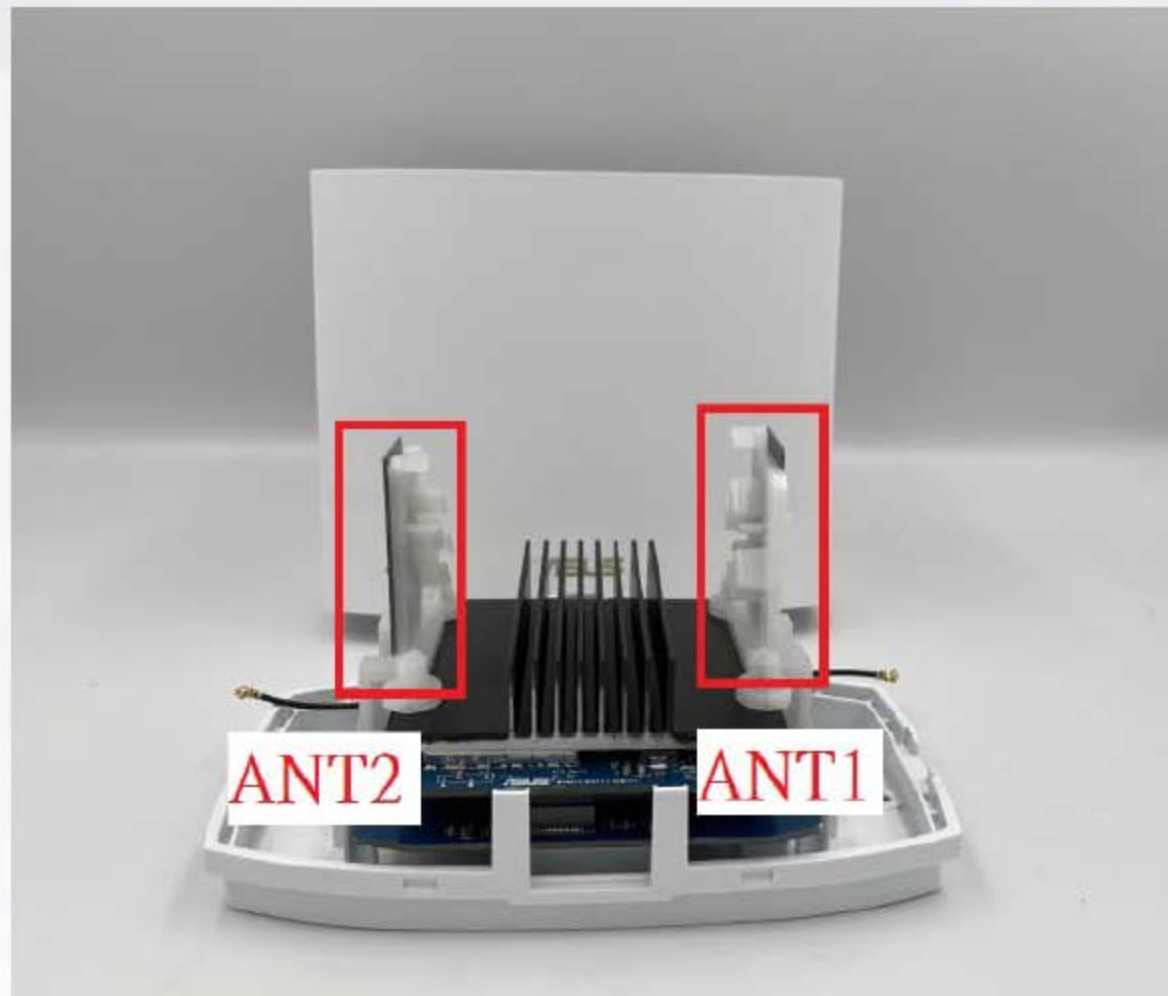
CUSTOMER: ASUS		
PART NO :		
PART NAME: RF Antenna Assembly		
W.Y P/NO : C660-510613-A		
REV	UNIT	FILE : SRF2023779
X1	mm	SHEET : 1/1

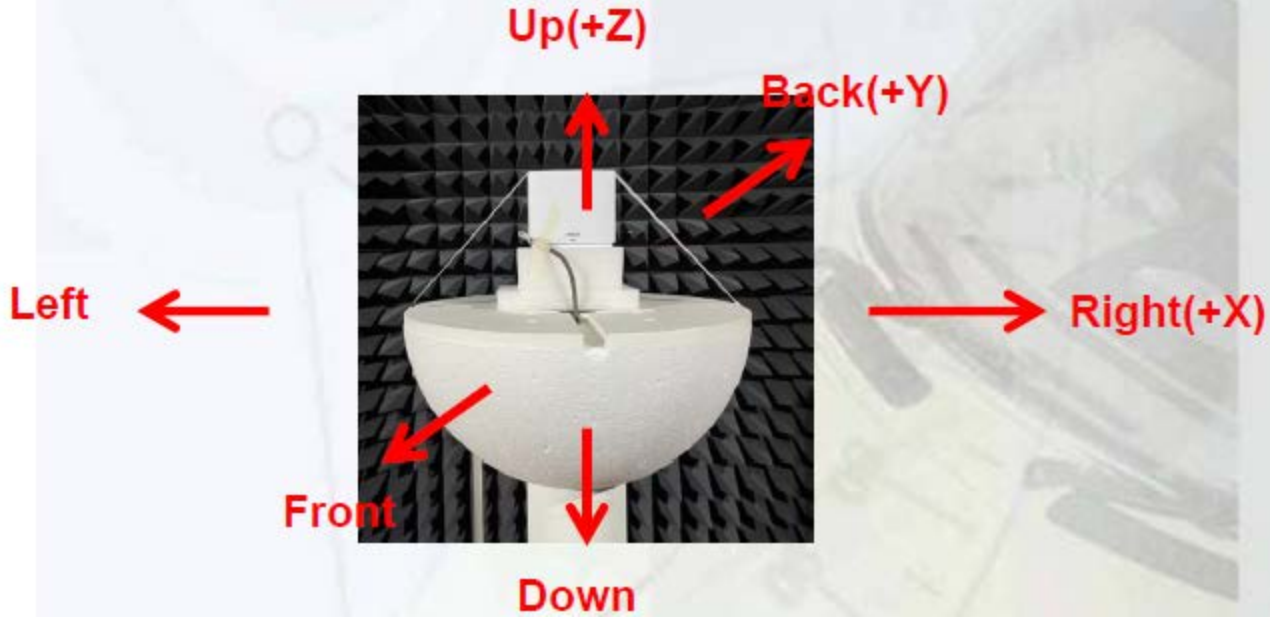
CUSTOMER'S SINGATURE

M.gear Wha Yu Group

THIS DRAWING, AND IT'S INHERANT DESIGN CONCEPTS, ARE THE PROPERTY OF WHA YU AND AS SUCH MAY NOT BE COPIED, REPRODUCED, OR GIVEN TO THIRD PARTIES WITHOUT THE WRITTEN CONSENT OF WHA YU.

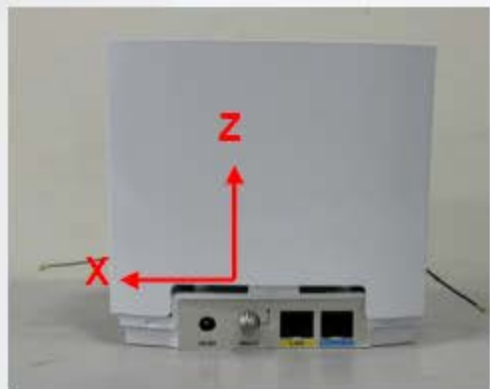
Antenna Placement & Solution





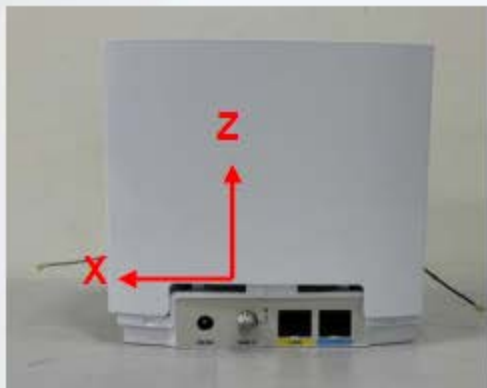
2D Radiation Pattern Results

(Dual Band)_ANT1 (2.4G)



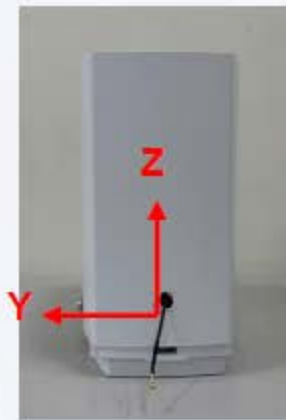
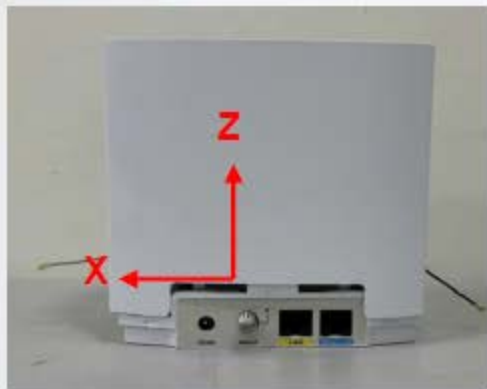
2D Radiation Pattern Results

(Dual Band)_ANT1 (5G)



2D Radiation Pattern Results

(Dual Band)_ANT2 (2.4G)



2D Radiation Pattern Results

(Dual Band)_ANT2 (5G)

