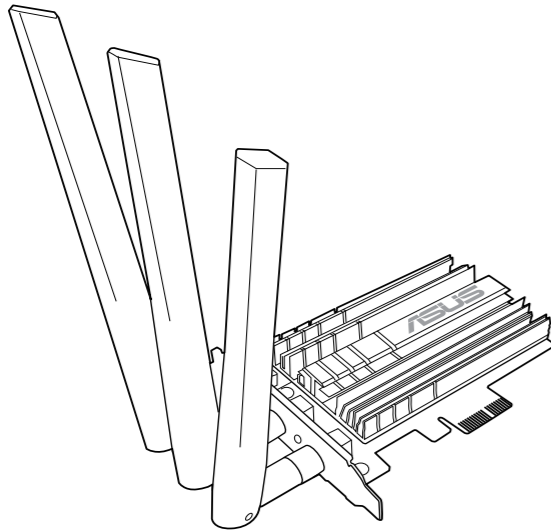




PCE-AC68

Wireless Local Area Network Card

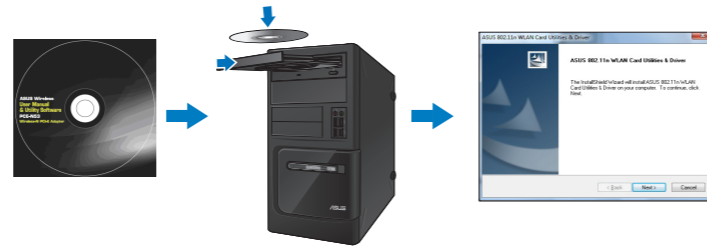
(For 802.11 a/g/b/n/ac Wireless Networks)



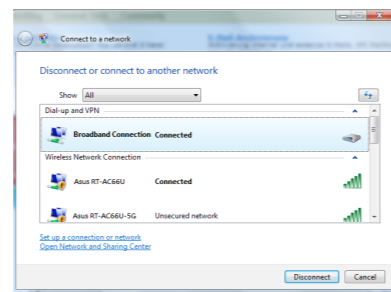
Quick Start Guide

Setting up a Home Network

1. Insert the support CD into the optical drive and follow the onscreen instructions to complete the installation.



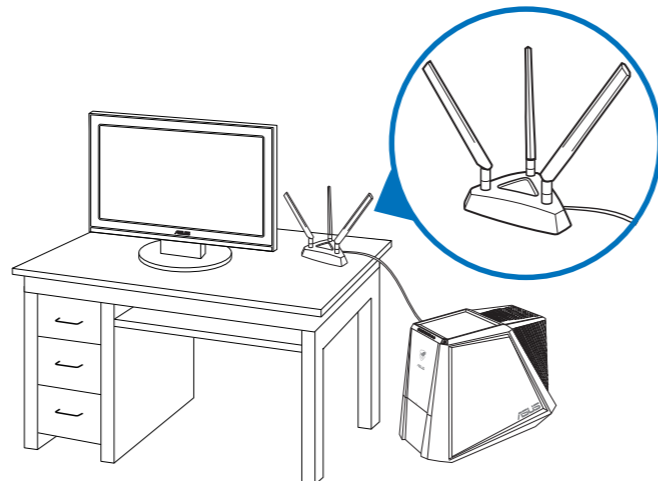
2. When the setup is complete, connect your desktop PC to the Internet wirelessly via PCE-AC68.



3. Launch the ASUS Utility to configure PCE-AC68.



4. Adjust the magnetic antenna base to get the best signal with your router.



English

1. Insert the support CD into the optical drive and follow the onscreen instructions to complete the installation.
2. When the setup is complete, connect your desktop PC to the Internet wirelessly via PCE-AC68.
3. Launch the ASUS Utility to configure PCE-AC68.
4. Adjust the magnetic antenna base to get the best signal with your router.

Français

1. Insérez le CD de support dans le lecteur optique de votre ordinateur puis suivez les instructions apparaissant à l'écran.
2. Une fois la configuration terminée, connectez votre ordinateur au réseau sans fil par le biais du PCE-AC68.
3. Exécutez l'utilitaire sans fil ASUS pour configurer le PCE-AC68.
4. Ajustez la base de l'antenne magnétique pour améliorer la qualité du signal sans fil du routeur.

Deutsch

1. Legen Sie die Support-CD in das optische Laufwerk und folgen Sie den Bildschirmhinweisen, um die Installation fertig zu stellen.
2. Nach der Einrichtung verbinden Sie Ihren Desktop-PC per PCE-AC68 kabellos mit dem Internet.
3. Starten Sie das ASUS Utility zur PCE-AC68-Konfiguration.
4. Stellen Sie die magnetische Antennenbasis so ein, dass Ihr Router ein möglichst kräftiges Signal empfängt.

Italian

1. Inserire il CD di supporto nell'unità ottica e completare l'installazione seguendo le istruzioni sullo schermo.
2. Quando la configurazione è stata completata, collegare il desktop a Internet mediante connessione wireless tramite PCE-AC68.
3. Lanciare l'utilità ASUS per configurare PCE-AC68.
4. Regolare l'antenna magnetica per captare il segnale migliore con il router.

Lietuvių

1. Įdėkite pagalbos kompaktinį (CD) diską į optinę tvarkyklę ir vadovaukitės nuorodomis ekrane, nurodama baigti įdiegimą.
2. Kai sąranka užbaigta, prijunkite darbalaukiu kompiuterį prie bevielio interneto naudodamiesi PCE-AC68.
3. Paleiskite ASUS paslaugų programą, kad konfigūruotumėte PCE-AC68.
4. Sureguliuokite magnetinį antenos pagrindą, kad maršrutizatorius gautų geriausių signalą.

Latviski

1. Ielieciet atbalsta CD optiskajā diskdzīni un izpildiet ekrānā redzamos norādījumus instalācijas veikšanai.
2. Kad pabeigta iestatīšana, pieslēdziet galddatoru internetam ar bezvadu savienojumu, izmantojot PCE-AC68.
3. Palaidiet ASUS utilitprogrammu, lai konfigurētu PCE-AC68.
4. Noregulējiet magnētisko antenas pamatni, lai saņemtu labāko maršrutētāja signālu.

Português

1. Insira o CD de suporte na unidade óptica e siga as instruções no ecrã para concluir a instalação.
2. Quando a instalação estiver concluída, ligue o seu PC à Internet sem fios através da placa PCE-AC68.
3. Execute o Utilitário ASUS para configurar a placa PCE-AC68.
4. Ajuste a antena magnética para captar o melhor sinal do seu router.

Română

1. Introduceți CD de instalare în drive-ul optic și urmați instrucțiunile de pe ecran pentru a finaliza instalarea.
2. După finalizarea configurării, conectați PC-ul la internet fără fir, prin intermediul unității PCE-AC68.
3. Lansați utilitarul ASUS pentru a configura unitatea PCE-AC68.
4. Reglați antena pentru a obține cel mai bun semnal cu routerul dvs.

Polski

1. Włóż płytę CD z oprogramowaniem do napędu optycznego i postępuj zgodnie z instrukcjami.
2. Po zakończeniu ustawień, połącz komputer desktop PC z internetem bezprzewodowo, przez PCE-AC68.
3. Uruchom ASUS Utility w celu konfiguracji PCE-AC68.
4. Wyreguluj podstawę magnetyczną anteny, aby uzyskać najlepszy sygnał połączenia z routerem.

Español

1. Inserte el CD de soporte en la unidad óptica y siga las instrucciones que aparecerán en la pantalla para llevar a cabo la instalación.
2. Use la utilidad ASUS para configurar la tarjeta PCE-AC68.
3. Cuando el programa de instalación se complete, conecte su equipo de escritorio a Internet de forma inalámbrica a través de PCE-AC68.
4. Inicie la utilidad de ASUS para configurar PCE-AC68.
5. Ajuste la base de antena magnética para obtener la mejor señal con su enrutador.

Українська

1. Вставте компакт-диск підтримки до оптичного дисководу і виконайте інструкції на екрані, щоб завершити інсталяцію.
2. Коли налаштування завершено, встановіть бездротове підключення стаціонарного ПК до Інтернет до PCE-AC68.
3. Запустіть утиліту ASUS, щоб конфігурувати PCE-AC68.
4. Відрегулюйте основу магнітної антени, щоб отримати найкращий прийом сигналу маршрутизатором.

Nederlands

1. Stop de ondersteunings-cd in het optische station en volg de instructies op het scherm om de installatie te voltooien.
2. Wanneer de installatie is voltooid, kunt u met uw desktopcomputer een draadloze internetverbinding maken via PCE-AC68.
3. Start het ASUS-hulpprogramma om PCE-AC68 te configureren.
4. Stel de magnetische antennevoet af om het beste signaal te ontvangen met uw router.

Ελληνικά

1. Εισάγετε το CD υποστήριξης στη μονάδα οπτικού δίσκου και ακολουθήστε τις οδηγίες που εμφανίζονται στην οθόνη για να ολοκληρώσετε την εγκατάσταση.
2. Όταν ολοκληρωθεί η εγκατάσταση, συνδέστε τον επιτραπέζιο Η/Υ ασύρματα στο internet μέσω του PCE-AC68.
3. Εκκινήστε το βοηθητικό πρόγραμμα για να διαμορφώσετε το PCE-AC68.
4. Προσαρμόστε τη μαγνητική κεραία για να λαμβάνετε το καλύτερο δυνατό σήμα με το δρομολογητή σας.

한국어

1. 지원 CD를 옵티컬 드라이브에 삽입하시고 설치를 완료하기 위해 화면 상의 지시를 따르십시오.
2. 설치가 완료되면 PCE-AC68를 통해 원격으로 데스크톱 PC를 인터넷에 연결하십시오.
3. ASUS 유틸리티를 시작하여 PCE-AC68를 구성하십시오.
4. 마그네틱 안테나 받침대를 조정하여 라우터가 최고의 신호를 수신하도록 하십시오.

Srpski

1. Ubacite CD za podršku u optički drajiv i pratite uputstva na ekranu da završite instalaciju.
2. Kada je instaliranje završeno, bežično povežite svoj desktop PC na internet preko PCE-AC68.
3. Pokrenite ASUS Utility (ASUS pomoćni program) da konfigurišete PCE-AC68.
4. Podestite osnovu magnetne antene da dobijete najbolji signal od svog rutera.

日本語

1. サポート CD を光学ドライブに挿入し、画面上の指示に従ってインストールを完了します。
2. セットアップ完了後、PCE-AC68 を介してワイヤレスネットワークに接続することができます。
3. ASUS ユティリティを起動し、PCE-AC68 のワイヤレスネットワーク接続設定を行います。
4. ご利用環境に合わせてアンテナの設置場所を調整し、受信感度の良い場所にアンテナを設置します。

Русский

1. Вставьте диск в оптический привод и следуйте инструкциям на экране для завершения установки.
2. После завершения настройки подключите Ваш ПК к сети Интернет через PCE-AC68.
3. Запустите утилиту для конфигурации PCE-AC68.
4. Расположите антенну для обеспечения наилучшего сигнала.

Eesti

1. Sisestage tugi-CD optilisse kettaseadmesse ja järgige ekraanijuhiseid, et installimine lõpule viia.
2. Kui häälestus on lõpule viidud, siis ühendage lauarvuti traadita Internetiga, kasutades ruuterit PCE-AC68.
3. Käivitage ASUS'e utiliiit, et konfigureerida ruuterit PCE-AC68.
4. Reguleerige magnetantenni alust, et ruuter leiaks tugevama signaali.

Magyar

1. Helyezze a támogató CD-t az optikai meghajtóba és kövesse a képernyőn megjelenő utasításokat a telepítés elvégzéséhez.
2. A telepítés végén csatlakoztassa az asztali PC-t vezeték nélküli internethez a PCE-AC68 eszközön keresztül.
3. Indítsa el az ASUS segédprogramot a PCE-AC68 konfigurálásához.
4. Állítsa más irányba a mágneses antennapalpat a router lehető legjobb vétele érdekében.

Slovensky

1. Do optickej mechaniky vložte CD s podporou a inštaláciu vykonajte podľa pokynov na obrazovke.
2. Po dokončení inštalácie pripojte svoj stolový PC k internetu bezdrôtovým spôsobom pomocou PCE-AC68.
3. Spustite pomocný program ASUS Utility na konfiguráciu PCE-AC68.
4. Nastavte magnetickú základnu antény na dosiahnutie najlepšieho signálu z vášho smerovača.

Čeština

1. Vložte podpůrný disk CD do optické jednotky a dokončete instalaci podle zobrazených pokynů.
2. Po dokončení instalace připojte stolní počítač k Internetu bezdrátově prostřednictvím PCE-AC68.
3. Spusťte nástroj ASUS pro provedení konfigurace PCE-AC68.
4. Nastavte magnetickou základnu antény pro dosažení optimálního signálu směrovače.

Suomi

1. Aseta tuki-CD-levy optiseen asemaan ja suorita asennus loppuun noudattamalla ruudun ohjeita.
2. Kun asetus on valmis, liitä pöytätielokone langattomasti internetiin PCE-AC68:n kautta.
3. Käynnistä ASUS-apuohjelma määrittääksesi PCE-AC68-sovelluksen.
4. Säädä magneettista antennin alustaa saadaksesi reitittimelläsi parhaan signaalin.

Български

1. Поставете помощния CD диск в оптичното устройство и следвайте инструкциите на екрана, за да приключите инсталацията.
2. Когато инсталацията приключи, свържете безжично Вашия настолен компютър към интернет чрез PCE-AC68
3. Стартирайте ASUS Utility, за да конфигурирате PCE-AC68.
4. Настройте основата на магнитната антена за най-добър сигнал от рутера.

Bahasa Indonesia

1. Masukkan CD dukungan ke drive optic, lalu ikuti petunjuk di layar untuk menyelesaikan penginstalan.
2. Setelah konfigurasi selesai, sambungkan PC desktop ke Internet secara nirkabel melalui PCE-AC68.
3. Aktifkan Utilitas ASUS untuk mengkonfigurasi PCE-AC68.
4. Sesuaikanudukan antenna magnetik untuk mendapatkan sinyal terbaik dengan router Anda.

ไทย

1. ใส่แผ่น CD สนับสนุนลงในไดรฟ์ออปติคัลและทำตามขั้นตอนบนหน้าจอเพื่อทำการติดตั้งให้สมบูรณ์
2. เมื่อการตั้งค่าสมบูรณ์ เชื่อมต่อแล็ปท็อป PC ของคุณเข้ากับอินเทอร์เน็ตแบบไร้สายผ่าน PCE-AC68
3. เปิดยูทิลิตี้ ASUS เพื่อกำหนดค่า PCE-AC68
4. ปรับฐานเสาอากาศแม่เหล็ก เพื่อให้ได้สัญญาณที่ดีที่สุดจากเราเตอร์ของคุณ

Türkçe

1. Destek CD'sini optik sürücüyeye takın ve kurulumu tamamlamak için ekran üzerindeki talimatları izleyin.
2. Kurulum tamamlandıında, masaüstü PC'nizi PCE-AC68 ile internete kablosuz bağlayın.
3. PCE-AC68'yi yapılandırılmak için ASUS Programını başlatın.
4. Manyetik anten tabanını ayarlayarak yönlendiricinizden en iyi sinyali alın.

繁體中文

1. 將驅動程式與應用程式光碟放入光碟機中，接著依照螢幕上的說明完成安裝。
2. 安裝完成後，將您的桌上型電腦透過 PCE-AC68 無線連線至網路。
3. 開啟華碩公用程式來設定 PCE-AC68。
4. 調整磁性天線底座以獲得路由器的最佳訊號品質。

简体中文

1. 將驱动程序与应用程序光盘放入光驱中，接着依照屏幕上的说明完成安装。
2. 安装完成后，将您的台式电脑通过 PCE-AC68 无线连接至互联网。
3. 开启华硕公用程式来设置 PCE-AC68。
4. 调整磁性天线底座以获得路由器的最佳信号品质。

Hrvatski

1. Stavite CD s podrškom u pogon za optički disk i slijedite upute na zaslonu za dovršenje instalacije.
2. Kada instalacija završi, povežite računalo s internetom bežičnom vezom preko PCE-AC68.
3. Pokrenite uslužni program ASUS radi konfiguracije PCE-AC68.
4. Prilagodite bazu magnetske antene kako biste ostvarili najbolji signal na usmjerivaču.

Slovenščina

1. Če želite dokončati namestitve, vstavite podporni CD v optični pogon in sledite navodilom na zaslonu.
2. Ko je namestitvev je končana, z računalnikom preko PCE-AC68 vzpostavite brezžično povezavo z internetom.
3. Če želite konfigurirati PCE-AC68, zaženite ASUS Utility.
4. Nastavite položaj podnožja magnetne antene, za boljši sprejem signala k vašemu usmerjevalniku.

Federal Communications Commission Statement

This device complies with Part 15 of the FCC Rules. Operation is subject to the following two conditions:

- This device may not cause harmful interference.
- This device must accept any interference received, including interference that may cause undesired operation.

This equipment has been tested and found to comply with the limits for a class B digital device, pursuant to Part 15 of the FCC Rules. These limits are designed to provide reasonable protection against harmful interference in a residential installation.

This equipment generates, uses and can radiate radio frequency energy and, if not installed and used in accordance with the instructions, may cause harmful interference to radio communications. However, there is no guarantee that interference will not occur in a particular installation. If this equipment does cause harmful interference to radio or television reception, which can be determined by turning the equipment off and on, the user is encouraged to try to correct the interference by one or more of the following measures:

- Reorient or relocate the receiving antenna.
- Increase the separation between the equipment and receiver.
- Connect the equipment into an outlet on a circuit different from that to which the receiver is connected.
- Consult the dealer or an experienced radio/TV technician for help.

If this device is going to be operated in 5.15 ~ 5.25GHz frequency range, then it is restricted in indoor environment only.

CAUTION: Any changes or modifications not expressly approved by the party responsible for compliance could void the user's authority to operate the equipment.

Prohibition of Co-location

This device and its antenna(s) must not be co-located or operating in conjunction with any other antenna or transmitter.

FCC Radiation Exposure Statement

This equipment complies with FCC radiation exposure limits set forth for an uncontrolled environment. This equipment should be installed and operated with minimum distance 20cm between the radiator and your body.

CE Mark Warning

This is a Class B product, in a domestic environment, this product may cause radio interference, in which case the user may be required to take adequate measures.

Operation Channels: Ch1~11 for N. America, Ch1~14 Japan, Ch1~13 Europe (ETSI)

低功率電波輻射性電機管理辦法

(1)「經型式認證合格之低功率射頻電機，非經許可，公司、商號或使用者均不得擅自變更頻率、加大功率或變更原設計之特性及功能」以及(2)「低功率射頻電機之使用不得影響飛航安全及干擾合法通信；經發現有干擾現象時，應立即停用，並改善至無干擾時方得繼續使用。前項合法通信，指依電信法規定作業之無線電通信。低功率射頻電機須忍受合法通信或工業、科學及醫療用電波輻射性電機設備之干擾」。

Canada, Industry Canada (IC) Notices

This Class B digital apparatus complies with Canadian ICES-003 and RSS-210.

Operation is subject to the following two conditions: (1) this device may not cause interference, and (2) this device must accept any interference, including interference that may cause undesired operation of the device.

Radio Frequency (RF) Exposure Information

The radiated output power of the ASUS Wireless Device is below the Industry Canada (IC) radio frequency exposure limits. The ASUS Wireless Device should be used in such a manner such that the potential for human contact during normal operation is minimized.

This device has been evaluated for and shown compliant with the IC Specific Absorption Rate ("SAR") limits when installed in specific host products operated in portable exposure conditions (antennas are less than 20 centimeters of a person's body).

This device has been certified for use in Canada. Status of the listing in the Industry Canada's REL (Radio Equipment List) can be found at the following web address: <http://www.ic.gc.ca/app/sitt/reitel/srch/nwRdSrch.do?lang=eng>

Additional Canadian information on RF exposure also can be found at the following web: <http://www.ic.gc.ca/eic/site/smt-gst.nsf/eng/sf08792.html>

Canada, avis d'Industry Canada (IC)

Cet appareil numérique de classe B est conforme aux normes canadiennes ICES-003 et RSS-210.

Son fonctionnement est soumis aux deux conditions suivantes : (1) cet appareil ne doit pas causer d'interférence et (2) cet appareil doit accepter toute interférence, notamment les interférences qui peuvent affecter son fonctionnement.

Informations concernant l'exposition aux fréquences radio (RF)

La puissance de sortie émise par l'appareil de sans fil ASUS est inférieure à la limite d'exposition aux fréquences radio d'Industry Canada (IC). Utilisez l'appareil de sans fil ASUS de façon à minimiser les contacts humains lors du fonctionnement normal.

Ce périphérique a été évalué et démontré conforme aux limites SAR (Spécific Absorption Rate – Taux d'absorption spécifique) d'IC lorsqu'il est installé dans des produits hôtes particuliers qui fonctionnent dans des conditions d'exposition à des appareils portables (les antennes se situent à moins de 20 centimètres du corps d'une personne).

Ce périphérique est homologué pour l'utilisation au Canada. Pour consulter l'entrée correspondant à l'appareil dans la liste d'équipement radio (REL - Radio Equipment List) d'Industry Canada rendez-vous sur:

<http://www.ic.gc.ca/app/sitt/reitel/srch/nwRdSrch.do?lang=eng>

Pour des informations supplémentaires concernant l'exposition aux RF au Canada rendez-vous sur : <http://www.ic.gc.ca/eic/site/smt-gst.nsf/eng/sf08792.html>

REACH

Complying with the REACH (Registration, Evaluation, Authorisation, and Restriction of Chemicals) regulatory framework, we published the chemical substances in our products at ASUS REACH website at <http://csr.asus.com/english/REACH.htm>.

Hot Products

RT-AC66U

- 5th generation 802.11ac chipset offers you concurrent dual-band 2.4GHz/5GHz with up to 1.75Gbps connection speed
- ASUS AiCloud service: Access, stream, share and sync files with unlimited storage expansion!
- Gigabit Ethernet ports for the fastest and most reliable Internet performance
- AiRadar optimizes wireless coverage with detachable high-powered antennas
- Enjoy the ASUSWRT dashboard UI for three-step setup, signal monitoring and network application control
- Download Master for wireless data storage and access to router-connected USB storage devices
- File sharing, printer sharing and 3G sharing via two multi-functional built-in USB ports

EA-N66

- Powerful dual-band 3x3 Ethernet adapter delivers extreme 450Mbps Wi-Fi speed
- Selectable 2.4GHz/ 5GHz dual-band reduces Wi-Fi interference for HD multimedia
- Patented Orthogonal antenna design for best Wi-Fi coverage
- 3-in-1 function: Ethernet adapter, universal repeater, and AP mode
- Quick and easy setup with ASUS new UI



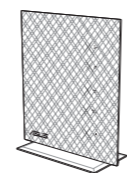
DSL-N55U

- Integrated home gateway with independent CPUs for modem and router
- Dual-band Wi-Fi delivers up to 600Mbps in bandwidth
- 4x Gigabit Ethernet ports provide enhanced wired network performance
- Auto-detecting ADSL connection with CD/manual-free setup
- Finest P2P experience via 300,000 concurrent data sessions
- File sharing, printer sharing and iPad charging using multi-functional twin USB ports



RT-N56U

- Concurrent Dual-band - two 300Mbps Wireless-N networks at one time
- Dual-band for lag-free entertainment
- Gigabit Ethernet ports for the fastest and most reliable Internet performance
- 5X faster Gigabit Internet surfing with hardware NAT
- File sharing, printer sharing and 3G sharing via two multi-functional built-in USB ports
- Powerful online multitasking at up to 300,000 data sessions



RT-N53

- Concurrent Dual Band - two 300Mbps Wireless-N networks at one time
- Guest Network Access - Four separated wireless networks on the 2.4GHz band with customized security and access restrictions
- Easy Universal Repeater - Extend your Parent AP in the fastest and most intuitive way
- Clever wall-mount design
- Parental Control - Control your kid's computer time



RT-N66U

- 2.4GHz and 5GHz concurrent dual-band transmissions for strong signal strength and ultra-fast connection rates up to 900Mbps
- Gigabit Ethernet ports for faster, most reliable Internet performance
- Download Master for wireless data storage and access to router-connected USB storage devices
- Expanded wireless coverage with detachable high-powered antennas
- File sharing, printer sharing, and 3G sharing via two multi-functional built-in USB ports
- ASUSWRT dashboard UI for easy setup, signal monitoring, and network application control

Manufacturer

ASUSTeK Computer Inc.
Tel: +886-2-2894-3447
Address: 4F, No. 150, LI-TE RD., PEITOU, TAIPEI 112, TAIWAN

Authorised representative in Europe

ASUS Computer GmbH
Address: HARKORT STR. 21-23, D-40880 RATINGEN, DEUTSCHLAND

Authorised distributors in Turkey

BOGAZICI BIL GİSAYAR SAN. VE TİC. A.Ş.
Tel: +90 212 3311000
Address: AYAZAGA MAH. KEMERBURGAZ CAD. NO.10 AYAZAGA/ İSTANBUL
CİZGİ Elektronik San. Tic. Ltd. Şti.
Tel: +90 212 3567070
Address: CEMAL SURURI CD. HALİM MERİÇ İS MERKEZİ
No: 15/C D:5-6 34394 MECİDİYEKOY/İSTANBUL
EEE Yönetmeliğine Uygundur.

EC Declaration of Conformity



We, the undersigned,

Manufacturer:	ASUSTeK COMPUTER INC.
Address, City:	4F, No. 150, LI-TE RD., PEITOU, TAIPEI 112, TAIWAN
Country:	TAIWAN
Authorized representative in Europe:	ASUS COMPUTER GMBH
Address, City:	HARKORT STR. 21-23, 40880 RATINGEN
Country:	GERMANY

declare the following apparatus:

Product name:	PCE-AC68 Dual-Band PCI-E Adapter
Model name:	PCE-AC68

conform with the essential requirements of the following directives:

02004/108/EC-EMC Directive

<input checked="" type="checkbox"/> EN 55022:2010 Class B	<input checked="" type="checkbox"/> EN 55024:2010
<input checked="" type="checkbox"/> EN 61000-3-2:2006+A2:2009 Class A	<input checked="" type="checkbox"/> EN 61000-3-3:2008
<input checked="" type="checkbox"/> EN 55013:2011+A1:2013+A2:2008	<input checked="" type="checkbox"/> EN 55020:2007+A11:2011

01999/5/EC-R & TTE Directive

<input checked="" type="checkbox"/> EN 300 328 V1.7 (2006-10)	<input checked="" type="checkbox"/> EN 301 489-1 V1.9.2(2011-09)
<input checked="" type="checkbox"/> EN 300 440-1 V1.6 (2010-08)	<input checked="" type="checkbox"/> EN 301 489-3 V1.4 (2009-09)
<input checked="" type="checkbox"/> EN 300 440-2 V1.4 (2010-08)	<input checked="" type="checkbox"/> EN 301 489-4 V1.4 (2009-09)
<input checked="" type="checkbox"/> EN 301 511 V9.0 (2003-03)	<input checked="" type="checkbox"/> EN 301 489-7 V1.3 (2009-11)
<input checked="" type="checkbox"/> EN 301 908-1 V5.2 (2011-05)	<input checked="" type="checkbox"/> EN 301 489-9 V1.4 (2007-11)
<input checked="" type="checkbox"/> EN 301 908-2 V5.2 (2011-07)	<input checked="" type="checkbox"/> EN 301 489-17 V2.2 (2012-09)
<input checked="" type="checkbox"/> EN 301 893 V1.6 (2011-11)	<input checked="" type="checkbox"/> EN 301 489-24 V1.5 (2010-09)
<input checked="" type="checkbox"/> EN 302 544-2 V1.1 (2009-01)	<input checked="" type="checkbox"/> EN 302 326-2 V1.2 (2007-06)
<input checked="" type="checkbox"/> EN 50365:2001	<input checked="" type="checkbox"/> EN 302 326-3 V1.3 (2007-09)
<input checked="" type="checkbox"/> EN 62479:2010	<input checked="" type="checkbox"/> EN 301 357-2 V1.4 (2008-11)
<input checked="" type="checkbox"/> EN 60385:2002	<input checked="" type="checkbox"/> EN 302 291-2 V1.1 (2009-07)
<input checked="" type="checkbox"/> EN 62311:2008	<input checked="" type="checkbox"/> EN 302 291-2 V1.1 (2009-07)

02006/95/EC-LVD Directive

<input checked="" type="checkbox"/> EN 60950-1 /A12:2011	<input type="checkbox"/> EN 60065:2002 /A12:2011
--	--

02009/125/EC-EP Directive

<input checked="" type="checkbox"/> Regulation (EC) No. 1275/2008	<input type="checkbox"/> Regulation (EC) No. 278/2009
<input type="checkbox"/> Regulation (EC) No. 642/2009	

02011/65/EU-RoHS Directive

CE marking

Position : CEO
Name : Jerry Shen

Declaration Date: 17/07/2013
Year to begin affixing CE marking:2013

Signature: _____



(EC conformity marking)

EC Declaração de Conformidade



Nós, os abaixo assinados,

Fabricante:	ASUSTeK COMPUTER INC.
Morada, Cidade:	4F, No. 150, LI-TE RD., PEITOU, TAIPEI 112, TAIWAN
País:	TAIWAN
Representante autorizado na Europa:	ASUS COMPUTER GMBH
Morada, Cidade:	HARKORT STR. 21-23, 40880 RATINGEN
País:	GERMANY

declaramos que o seguinte produto:

Nome do Produto:	PCE-AC68 Adaptador PCI-E com Duas Bandas
Modelo:	PCE-AC68

se encontra em conformidade com as exigências essenciais das seguintes diretivas:

02004/108/EC-EMC Directive

<input checked="" type="checkbox"/> EN 55022:2010 Class B	<input checked="" type="checkbox"/> EN 55024:2010
<input checked="" type="checkbox"/> EN 61000-3-2:2006+A2:2009 Class A	<input checked="" type="checkbox"/> EN 61000-3-3:2008
<input checked="" type="checkbox"/> EN 55013:2011+A1:2013+A2:2008	<input checked="" type="checkbox"/> EN 55020:2007+A11:2011

01999/5/EC-R & TTE Directive

<input checked="" type="checkbox"/> EN 300 328 V1.7 (2006-10)	<input checked="" type="checkbox"/> EN 301 489-1 V1.9.2(2011-09)
<input checked="" type="checkbox"/> EN 300 440-1 V1.6 (2010-08)	<input checked="" type="checkbox"/> EN 301 489-3 V1.4 (2009-09)
<input checked="" type="checkbox"/> EN 300 440-2 V1.4 (2010-08)	<input checked="" type="checkbox"/> EN 301 489-4 V1.4 (2009-09)
<input checked="" type="checkbox"/> EN 301 511 V9.0 (2003-03)	<input checked="" type="checkbox"/> EN 301 489-7 V1.3 (2009-11)
<input checked="" type="checkbox"/> EN 301 908-1 V5.2 (2011-05)	<input checked="" type="checkbox"/> EN 301 489-9 V1.4 (2007-11)
<input checked="" type="checkbox"/> EN 301 908-2 V5.2 (2011-07)	<input checked="" type="checkbox"/> EN 301 489-17 V2.2 (2012-09)
<input checked="" type="checkbox"/> EN 301 893 V1.6 (2011-11)	<input checked="" type="checkbox"/> EN 301 489-24 V1.5 (2010-09)
<input checked="" type="checkbox"/> EN 302 544-2 V1.1 (2009-01)	<input checked="" type="checkbox"/> EN 302 326-2 V1.2 (2007-06)
<input checked="" type="checkbox"/> EN 50365:2001	<input checked="" type="checkbox"/> EN 302 326-3 V1.3 (2007-09)
<input checked="" type="checkbox"/> EN 62479:2010	<input checked="" type="checkbox"/> EN 301 357-2 V1.4 (2008-11)
<input checked="" type="checkbox"/> EN 60385:2002	<input checked="" type="checkbox"/> EN 302 291-2 V1.1 (2009-07)
<input checked="" type="checkbox"/> EN 62311:2008	<input checked="" type="checkbox"/> EN 302 291-2 V1.1 (2009-07)

02006/95/EC-LVD Directive

<input checked="" type="checkbox"/> EN 60950-1 /A12:2011	<input type="checkbox"/> EN 60065:2002 /A12:2011
--	--

02009/125/EC-EP Directive

<input checked="" type="checkbox"/> Regulation (EC) No. 1275/2008	<input type="checkbox"/> Regulation (EC) No. 278/2009
<input type="checkbox"/> Regulation (EC) No. 642/2009	

02011/65/EU-RoHS Directive

CE marking

Position : CEO
Name : Jerry Shen

Declaration Date: 17/07/2013
Year to begin affixing CE marking:2013

Signature: _____



(EC conformity marking)

EC Uygunluk Beyanı



Biz, bu imza altındakiler

Üretici:	ASUSTeK COMPUTER INC.
Adres, Şehir:	4F, No. 150, LI-TE RD., PEITOU, TAIPEI 112, TAIWAN
Ülke:	TAIWAN
Avrupa'daki Yetkili:	ASUS COMPUTER GMBH
Adres, Şehir:	HARKORT STR. 21-23, 40880 RATINGEN
Ülke:	ALMANYA

Aşağıdaki ürünü:

Ürün adı:	PCE-AC68 Çift-Bant PCI-E Adaptör
Model adı:	PCE-AC68

Aşağıdaki direktiflerin gereksinimlerine uyduğunu deklare ederiz:

02004/108/EC-EMC Direktifi

<input checked="" type="checkbox"/> EN 55022:2010 Class B	<input checked="" type="checkbox"/> EN 55024:2010
<input checked="" type="checkbox"/> EN 61000-3-2:2006+A2:2009 Class A	<input checked="" type="checkbox"/> EN 61000-3-3:2008
<input checked="" type="checkbox"/> EN 55013:2011+A1:2013+A2:2008	<input checked="" type="checkbox"/> EN 55020:2007+A11:2011

01999/5/EC-R & TTE Direktifi

<input checked="" type="checkbox"/> EN 300 328 V1.7 (2006-10)	<input checked="" type="checkbox"/> EN 301 489-1 V1.9.2(2011-09)
<input checked="" type="checkbox"/> EN 300 440-1 V1.6 (2010-08)	<input checked="" type="checkbox"/> EN 301 489-3 V1.4 (2009-09)
<input checked="" type="checkbox"/> EN 300 440-2 V1.4 (2010-08)	<input checked="" type="checkbox"/> EN 301 489-4 V1.4 (2009-09)
<input checked="" type="checkbox"/> EN 301 511 V9.0 (2003-03)	<input checked="" type="checkbox"/> EN 301 489-7 V1.3 (2009-11)
<input checked="" type="checkbox"/> EN 301 908-1 V5.2 (2011-05)	<input checked="" type="checkbox"/> EN 301 489-9 V1.4 (2007-11)
<input checked="" type="checkbox"/> EN 301 908-2 V5.2 (2011-07)	<input checked="" type="checkbox"/> EN 301 489-17 V2.2 (2012-09)
<input checked="" type="checkbox"/> EN 301 893 V1.6 (2011-11)	<input checked="" type="checkbox"/> EN 301 489-24 V1.5 (2010-09)
<input checked="" type="checkbox"/> EN 302 544-2 V1.1 (2009-01)	<input checked="" type="checkbox"/> EN 302 326-2 V1.2 (2007-06)
<input checked="" type="checkbox"/> EN 50365:2001	<input checked="" type="checkbox"/> EN 302 326-3 V1.3 (2007-09)
<input checked="" type="checkbox"/> EN 62479:2010	<input checked="" type="checkbox"/> EN 301 357-2 V1.4 (2008-11)
<input checked="" type="checkbox"/> EN 60385:2002	<input checked="" type="checkbox"/> EN 302 291-2 V1.1 (2009-07)
<input checked="" type="checkbox"/> EN 62311:2008	<input checked="" type="checkbox"/> EN 302 291-2 V1.1 (2009-07)

02006/95/EC-LVD Direktifi

<input checked="" type="checkbox"/> EN 60950-1 /A12:2011	<input type="checkbox"/> EN 60065:2002 /A12:2011
--	--

02009/125/EC-EP Direktifi

<input checked="" type="checkbox"/> Regulation (EC) No. 1275/2008	<input type="checkbox"/> Regulation (EC) No. 278/2009
<input type="checkbox"/> Regulation (EC) No. 642/2009	

02011/65/EU-RoHS Direktifi

CE İşareti

Position : CEO
İsim : Jerry Shen

Deklarasyon Tarihi: 17/07/2013
CE İşaretinin basımaya bağlandığı yıl:2013

İmza: _____



(EC uygunluk işareti)