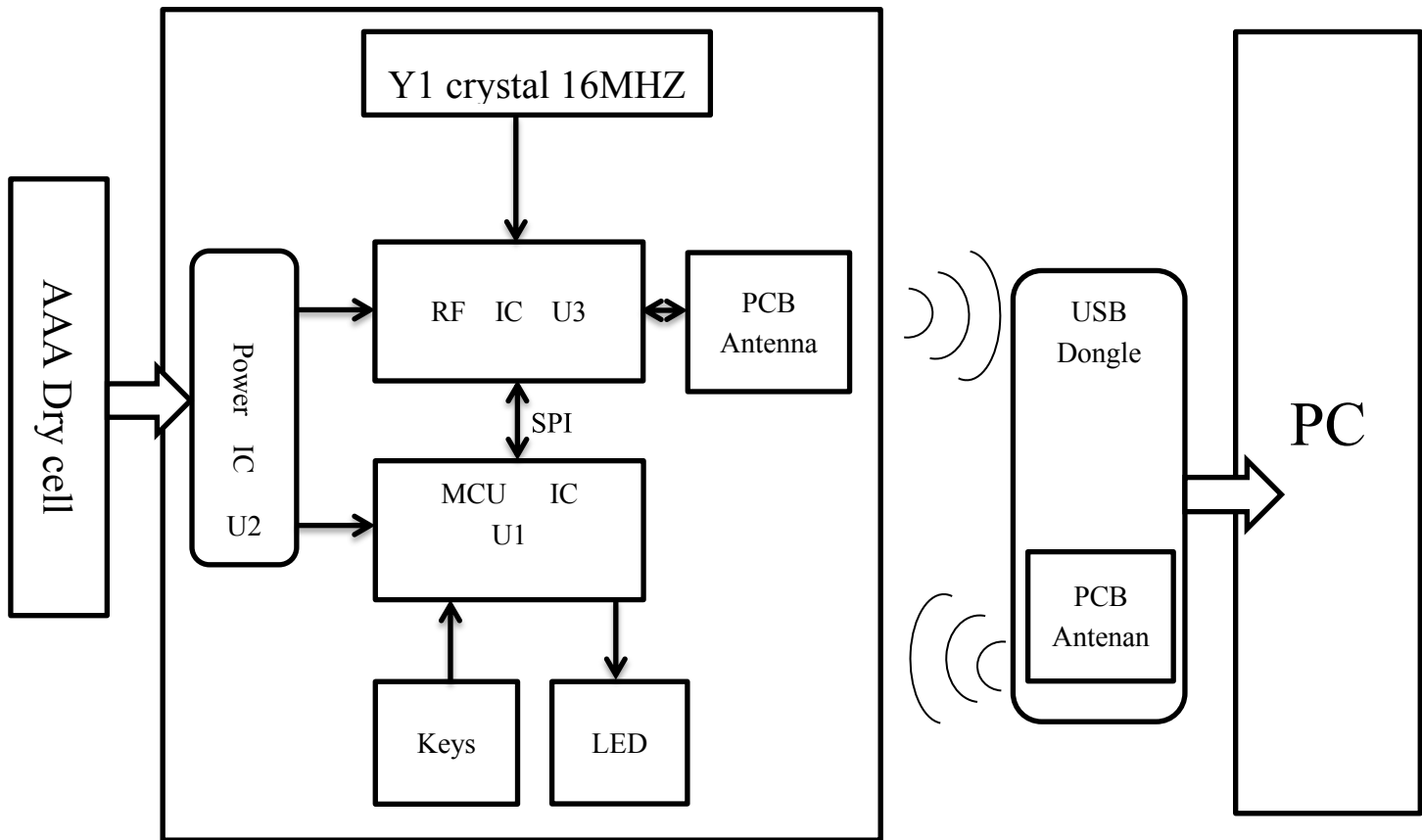


DK-1101RH

Wireless KeyBoard Block Diagram



2.4G SOC KeyBoard

U3,

TheHS6200 is a single chip 2.4GHz transceiver with an embedded baseband protocol engine

U2

The XT1871B252VR Tis DC/DC 2.5V power IC

U1

The YSM2145 Is a 8 Bit General Purpose OTP MCU

Y1

16MHZ crystal for U3 Work clock;