

1. Applications:

Near Field Communication (NFC)、RFID

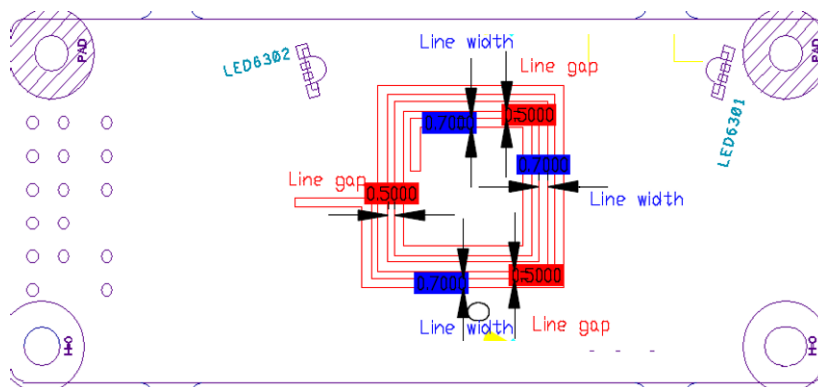
2. Electrical Specification:

Center Frequency (MHz) : 13.56MHz

Frequency Range (MHz) : 12~15

Dimension(mm) : 15X15(L x W)

3. Dimensions:



Width(Blue) : 0.7mm

Line Gap(Red) : 0.5mm

廠商：ASUS

型號：G35CZ

料號：59PD0340-NF0A01S