

1

2

3

4

A

A

B

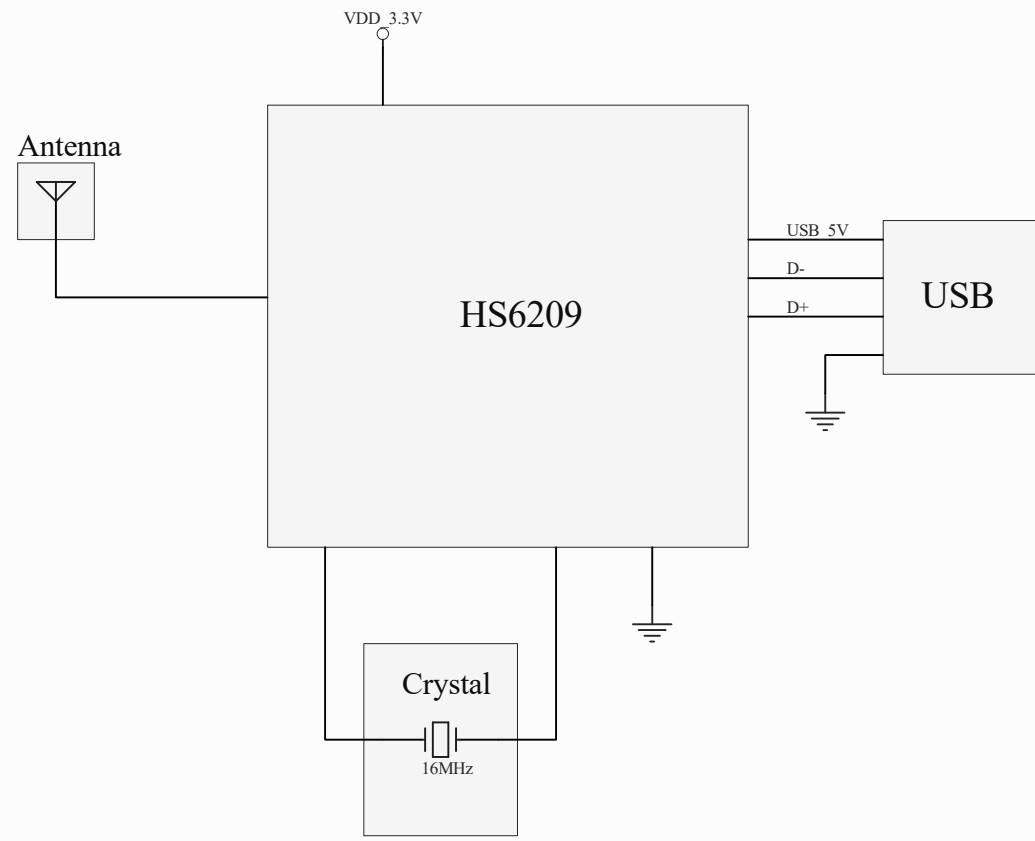
B

C

C

D

D



Title			DR-1112R VER01 Block		
Size	Number		Revision		
A4					
Date:	2021/6/15		Sheet of		
File:	D:\Hugo\...\Backup of HTM2920 Block.Sch Drawn By:				

1

2

3

4