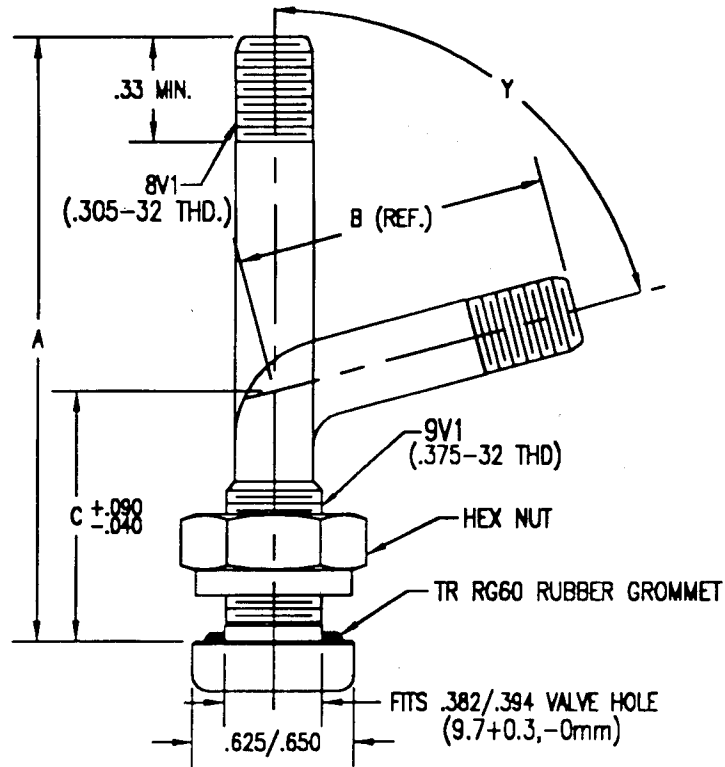


**RIM VALVES**  
**TIRE AND RIM ASSOCIATION STANDARD**  
 (See page 9-35 for valve thread details)



VALVE TR NO.	A	B REF.	C	Y°	NUT TR NO.
542	1.26	--	--	0	HN21
543	2.31	--	--	0	HN21
543C	2.31	1.38	0.93	45	HN22
543D	2.31	1.38	0.98	60	HN21
543E	2.31	1.38	0.98	75	HN21
544	2.86	--	--	0	HN21
544D	2.86	1.94	0.98	60	HN21
545	3.50	--	--	0	HN21
* 545D	3.50	2.60	0.98	60	HN21
545E	3.50	2.60	0.98	75	HN21
546	4.27	--	--	0	HN21
546-36	4.27	3.35	0.98	36	HN21
546D	4.27	3.35	0.98	60	HN21
546E	4.27	3.35	0.98	75	HN21
547D	4.70	3.78	0.98	60	HN21

\* *New*

- NOTES**
- 1: Valve core: TR C1
  - 2: For rim thickness of .218-.410 at valve hole.
  - 3: Sealing surface on tire side of rim to be flat and smooth.  
No radial tool marks permitted.
  - 4: Recommended torque: 80-125 inch-pounds.

**BILL OF MATERIALS**

Subsystem: **Schrader TRUCK**  
 Component: **Transmitter**  
 Car Model/Year: **Dana (Alloy gen1B)**

Internal Part No: **70803006**  
 Customer Part No: **70803006**  
 Drawing No: **90818006**

Date Issued: **3/03/2000**  
 ECN Reference: **TBA**  
 Revision: **A**

Item	Part No.	Qty Per	Location	Identification No.	Chg. No.	Part Name	Manu. Crit.
1	30506004	1	C3	0805,+/-10%,X7R	A	CAP 100nF	
2	30508001	1	C8	0805,+80%,-20%,Y5V	A	CAP 1uF	
3	30510005	2	C6,7	C, +/-20%,10V,TANT	A	CAP 100uF	
4	30591002	2	C12,C16	0603,+/-0.25pF,COG	A	CAP 1.0pF	
5	30591004	1	C10	0603,+/-0.25pF,COG	A	CAP 3.9pF	
6	30591007	1	C15	0603,+/-0.25pF,COG	A	CAP 1.8pF	
7	30595001	1	C2	0603,+/-5%,COG	A	CAP 100pF	
8	30595004	1	C17	0603,+/-5%,COG	A	CAP 12pF	
9	30595006	1	C19	0603,+/-5%,COG	A	CAP 150pF	
10	30595009	1	C11	0603,+/-5%,COG	A	CAP 22pF	
11	30595013	1	C20	0603,+/-5%,COG	A	CAP 68pF	
12	30596001	2	C4,5	0603,+/-10%,X7R	A	CAP 4.7nF	
13	30596003	4	C13,14,18,21	0603,+/-10%,X7R	A	CAP 1.0nF	
14	30586001	1	R3	0603,+/-1%,0.1W	A	RES 11K	
15	30588001	1	R7	0603,+/-5%,0.1W	A	RES 680R	
16	30588002	5	R5,6,10,12,15	0603,+/-5%,0.1W	A	RES 4.7K	
17	30588003	4	R4,18,19,22	0603,+/-5%,0.1W	A	RES 10K	
18	30588004	1	R2	0603,+/-5%,0.1W	A	RES 12K	
19	30588005	1	R16	0603,+/-5%,0.1W	A	RES 0R	
20	30588007	1	R14	0603,+/-5%,0.1W	A	RES 6.8K	
21	30588008	1	R11	0603,+/-5%,0.1W	A	RES 27R	
22	30588040	1	R17	0603,+/-5%,0.1W	A	RES 47R	
23	30588041	1	R13	0603,+/-5%,0.1W	A	RES 1.2K	
24	30531002	1	ASIC	SSSM115	A	ASIC SOIC 28	
25	30534003	1	XTAL	MS1V-TK, +/- 100ppm	A	XTAL, 32.768kHz	
26	30551003	1	D1	BAS16	A	Diode, SOT23	
27	30552001	1	Q3	BCW31	A	Trans, NPN, SOT23	
28	30553002	1	Q4	BSR15	A	Trans, PNP, SOT23	
29	30555002	2	Q1,2	BFR35APE6327	A	RF Tran. SOT 23	
30	30571002	1		BR2477A	A	BATTERY	PANASONIC
31	30577002	1	L1	0805,+/-10%	A	IND. 27nH	COILCRAFT
32	30577005	1	L3	0805,+/-10%	A	IND. 39nH	COILCRAFT
33	30577017	1	L2	0805,+/-10%	A	IND. 180nH	COILCRAFT
34	30577020	1	L4	INA22722, +/-5%	A	IND. 7.2mH	PREDAN
35	30580010	1	SW1	BALLSPRING	A	Roll Switch	
36	30881001	1		90803001	A	PCB	
37	30582002	1	SENSOR	NPP-301A-700A (100 PSI)	C	Pres. Sen. SO8	
38	30584001	1		RO2073A	A	Res. 315.00 MHz	RFM
39	10542001	1		90501001	C	Sensor Seal	
40	10561001	1		Par 96002	I	Adhesive Pad	
41	20525001	1	T1	90502003	D	Stem Tag	
42	20562001	2		M2.0 * 4 BT3PBBC	A	PCB/Tag Screw	
43	20565003	10g		ER2193A	2	Pot. Compound	Electrolube

BILL OF MATERIALS

Subsystem:	Schrader TRUCK	Internal Part No:	70803006	Date Issued:	3/03/2000
Component:	Transmitter	Customer Part No:	70803006	ECN Reference:	TBA
Car Model/Year:	Dana (Alloy gen1B)	Drawing No:	90818006	Revision:	A

Item	Part No.	Qty Per	Location	Identification No.	Chg. No.	Part Name	Manu. Crit.
44	20565004	1.8g		ER2193B	2	Hardener	Electrolube
45	20846001	1		90802003	C	Barcode Label	
46	20846004	1		90802006	A	FCC Label	
47	20859002	1		90802002	A	Insert	NEW *
48	40801005	1		90804002	D	Enclosue S.A.	NEW *
49	20546008			90502011	B	Shipping Label	
50	20547001	1		AXR7+(RIBBON)	A	Thermal Trans Ink	
51	20549001	2.5ml		Safe Wash 2000J	A	Safe Wash	
52	30543006	0.185g		SN62 RP11AG S89.5	A	Solder Cream	
53	30543007	0.16g		60 EN ECO SOL 105	A	No clean solder wire	
54	30543008	0.135g		ECO SOL 105	A	No clean solder wire	
55	80517001			S116/2	A	Shipping Box Base	
56	80517002			S116/1	A	Shipping Box Lid	
57	80517003			S116/4	A	4 Way Divider	
58	80517004			S116/3	A	11 Way Divider	

NOTE - For capacitors, unless otherwise stated, voltages in the range 16V - 100V are acceptable.

For resistors, capacitors and inductors tolerances tighter than specified are acceptable.

P.C.B. ASSEMBLY DRAWING:      Drawing Number:      90812001  
    Drawing Change Level:      B  
    Board Reference:      Eaton v8

CIRCUIT SCHEMATIC:      Drawing Number:      90809001  
    Drawing Change Level:      B

PRODUCTION TEST SPEC.:      Specification Number:      90814006  
    Spec. Change Level:      A

ELECTRICAL ASSEMBLY:      Drawing Number      90807003  
    Drawing Change Level:      B

Rim Fitment Assembly      Drawing Number      90806001  
    Drawing Change Level      C

ISSUED : \_\_\_\_\_

APPROVED : \_\_\_\_\_