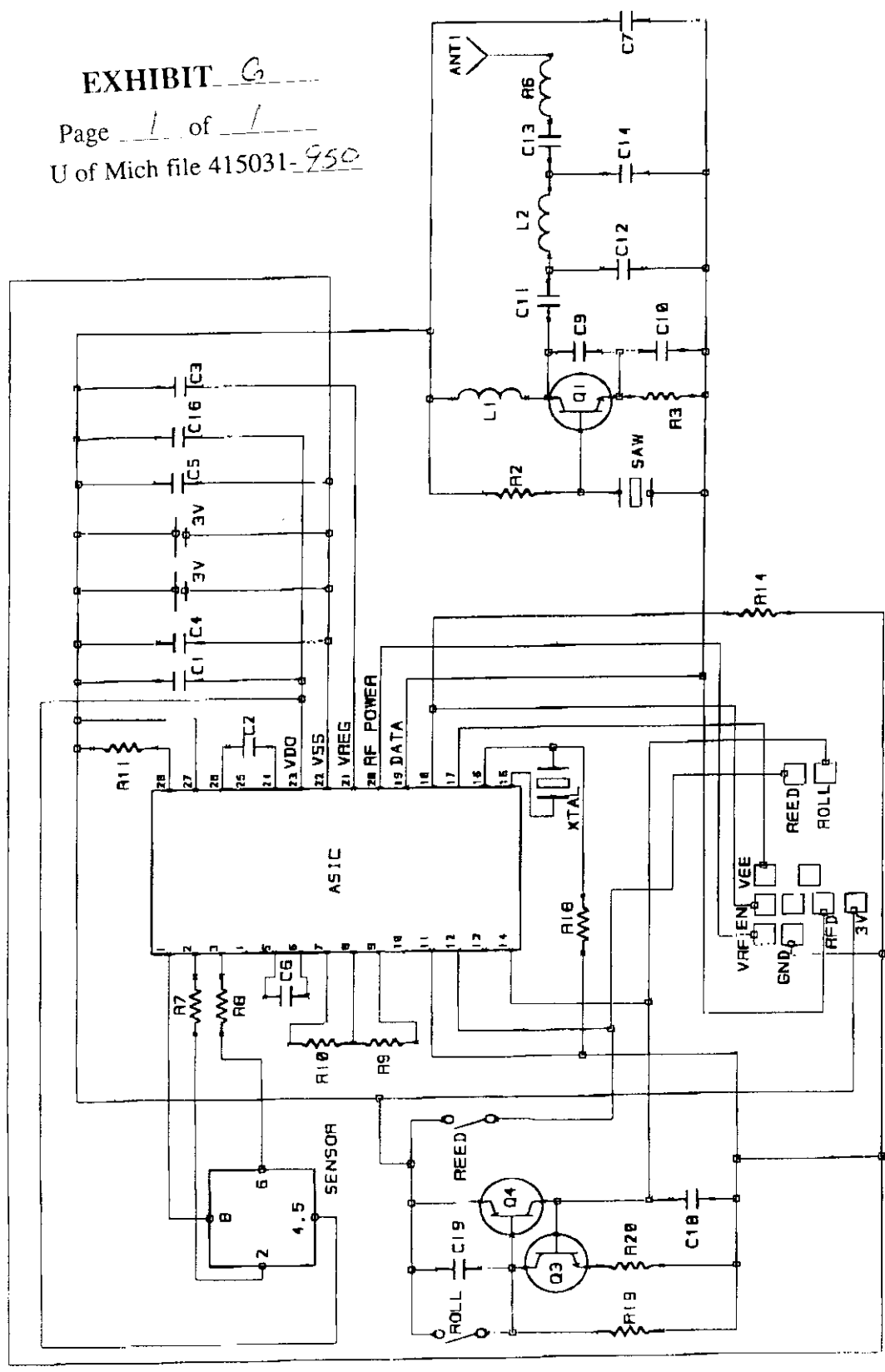


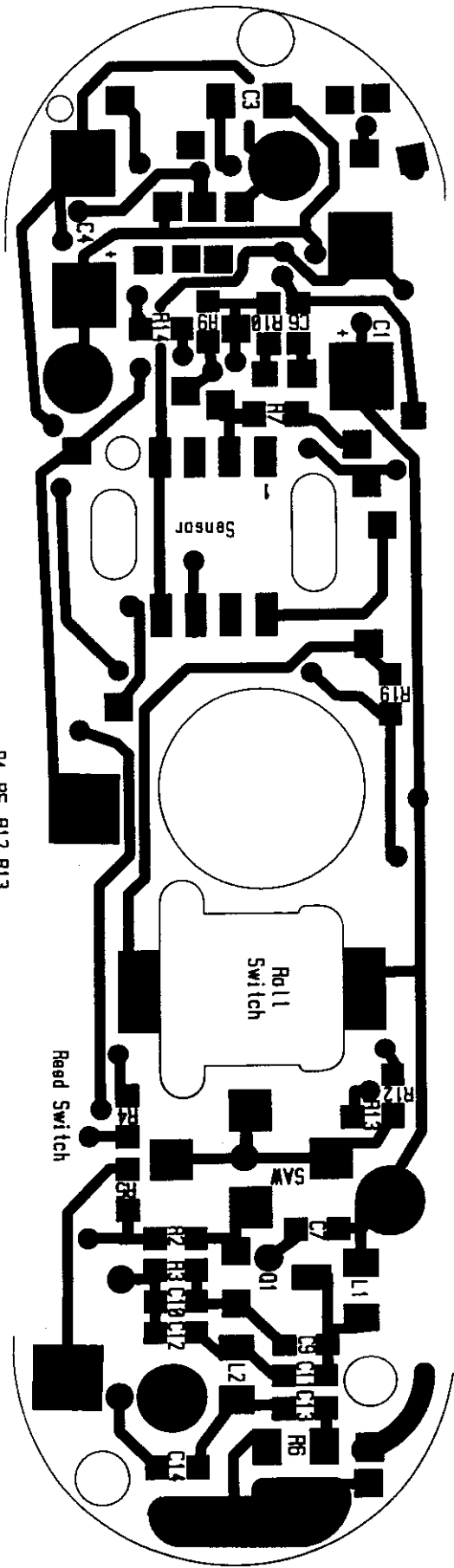
EXHIBIT G

Page 1 of 1
 U of Mich file 415031-950



ISSUE	DESCRIPTION	ECN	DATE	TITLE	DRAWN	CHECKED	APPROVED	DATE
A	INITIAL SNAP IN TX DESIGN	N.A.	28/4/98	CIRCUIT SCHEMATIC Snap in transmitter Slow data rate	W STEWART			
B	RF & ROLL SW CCT MODS	N.A.	29/5/98					
C	More Roll & Reed SW Mods	N.A.	18/6/98					

DRAWING No. UNCONTROLLED



R4 R5 R12 R13
 1.8KHz N Y Y N
 7.2KHz Y N N Y

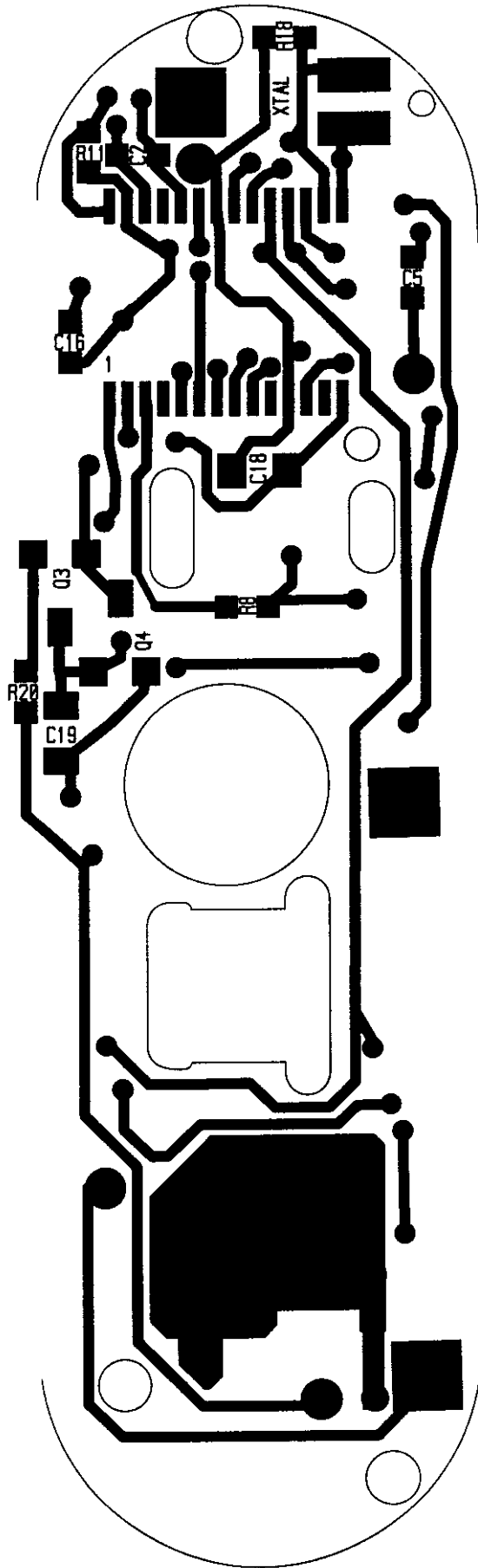


EXHIBIT F

Page 2 of 3

U of Mich file 415031-950