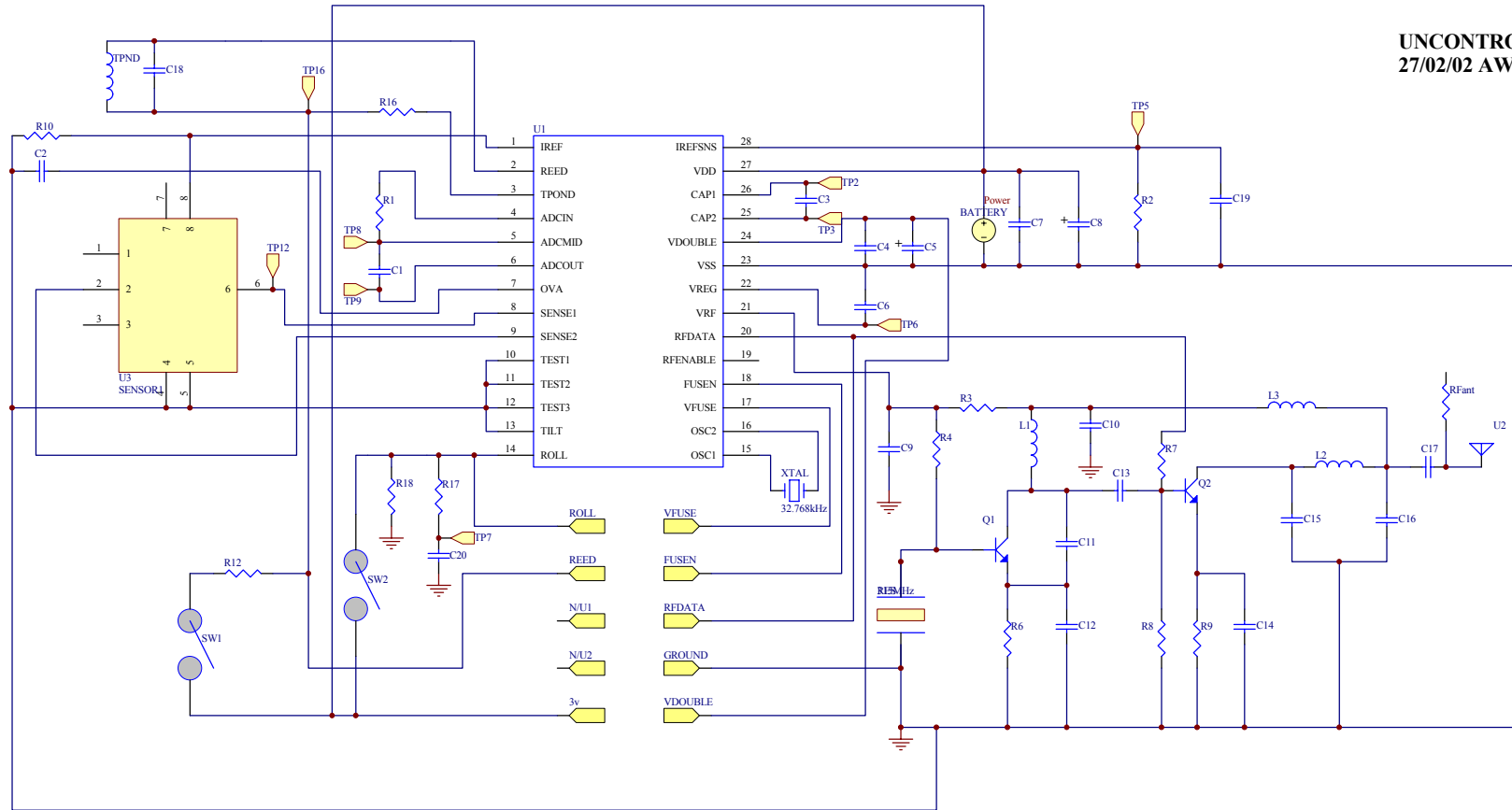


UNCONTROLLED COPY
27/02/02 AW



ISSUE	DESCRIPTION	ECN	DATE	NissPro	TITLE CIRCUIT SCHEMATIC	DRAWN	CHECKED	APPROVED	DATE	
C						DRAWING No. <u>90509025</u>				
B										
A	Initial Release To Production	0444	21/02/02							