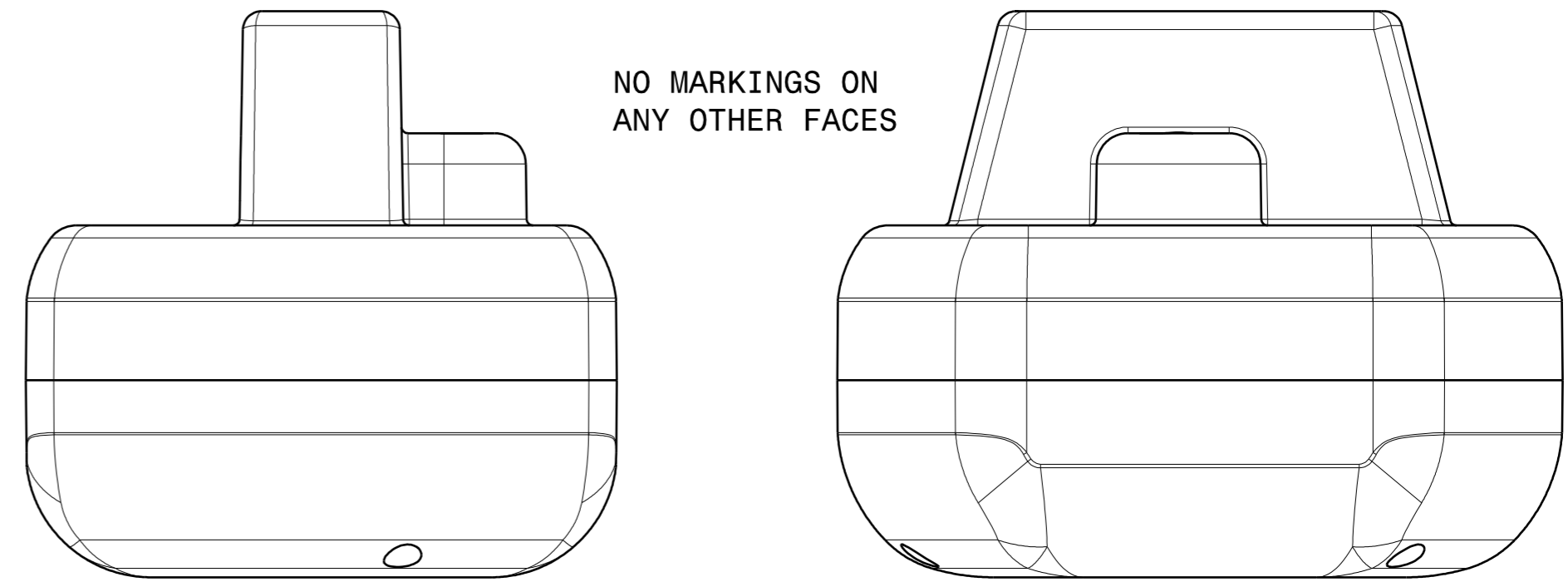
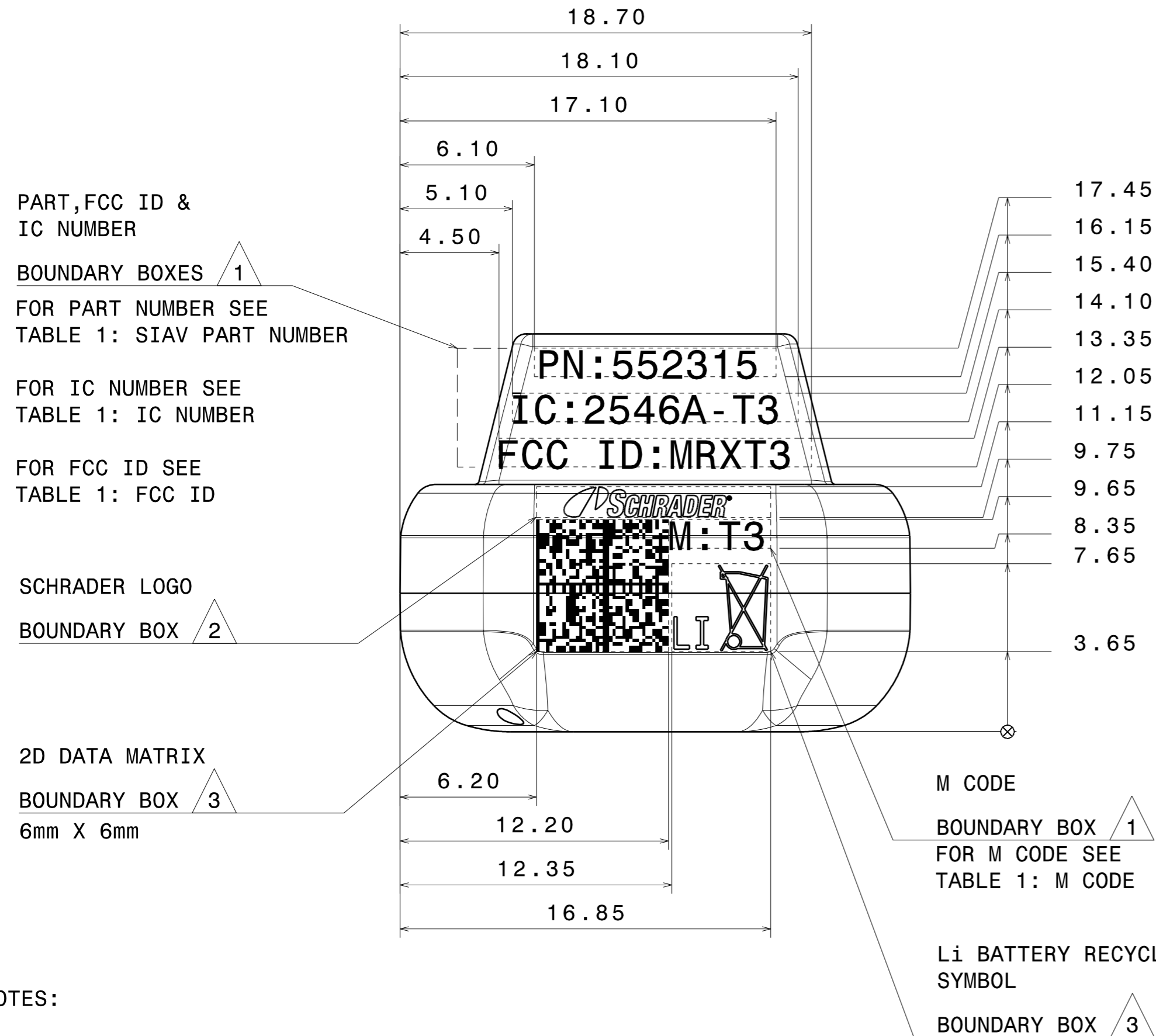


TABLE 1					
DESCRIPTION	SIAV PART NUMBER	FCC ID	IC NUMBER	M CODE	SEL PART NUMBER
EZ TIRE SENSOR 315 MHz	552315	MRXT3	2546A-T3	T3	90518515



NOTES:

- 1 TEXT FONT - OCR A EXTENDED. MINIMUM TEXT HEIGHT 1.3mm.
- PART NUMBER IS SIX NUMBERS PRECEDED BY PN:  
IC NUMBER IS ALPHA NUMERIC IN THE FORMAT SHOWN PROCEDED BY IC:  
FCC ID IS ALPHA NUMERIC PRECEDED BY FCC ID:  
M CODE IS ALPHA NUMERIC PRECEDED BY M:  
CENTRE JUSTIFY ALL TEXT WITHIN BOUNDARY BOX
- 2 TEXT FONT - NEUE HELVETICA STD 87 HEAVY CONDENSED OBLIQUE. LOGO SCALED TO FIT BOUNDARY BOX HEIGHT  
CENTRE JUSTIFY LOGO WITHIN BOUNDARY BOX
- 3 SCALED TO FIT BOUNDARY BOX

**DRAFT**

01	INITIAL RELEASE			XXXX	XXXX	XX/XXX/XXXX
ISSUE	DESCRIPTION			BY	ECN	DATE
NO. OF KCC ON DRAWING 00	THIRD ANGLE PROJECTION	THIS DRAWING IS CONFIDENTIAL AND PROPRIETARY TO SCHRADER ELECTRONICS LIMITED. THE INFORMATION CONTAINED WITHIN IT MAY NOT BE USED, DISCLOSED OR REPRODUCED IN WHOLE OR IN PART, WITHOUT THE EXPRESSED WRITTEN CONSENT OF SCHRADER ELECTRONICS LIMITED. NO RIGHT IS GRANTED TO DISCLOSE OR USE ANY INFORMATION CONTAINED WITHIN THIS DRAWING.				
DESIGNED BY CHRIS ARNOLD	DATE 13/AUG/2012	PART NO. 70503540		 CAD FORMAT CATIA V5.XX THIS IS A CAD PRODUCED DRAWING. DO NOT MANUALLY ALTER		
DRAWN BY CHRIS ARNOLD	DATE 13/AUG/2012	MATERIAL N/A		GENERAL TOLERANCE UNLESS OTHERWISE SPECIFIED .X ±0.2 .XX ±0.05 .XXX ±0.01 ANGULAR ±1° DO NOT SCALE		
CHECKED BY	DATE	FINISH N/A		SIZE A2	SHEET NO. 1 OF 1	SCALE 5:1
APPROVED BY	DATE	MASS (g) N/A	TITLE EZ-TIRE LASER MARKINGS			
SOA APPROVAL N/A	DATE N/A	DRAWING NO. 90502060		ISSUE 00F		
PRODUCTION APPROVAL N/A	DATE N/A					