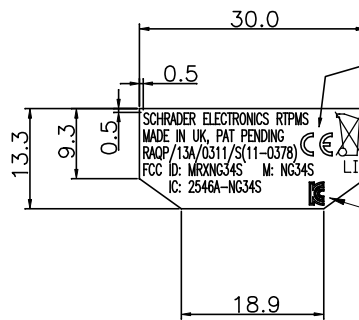


POSITION OF INSERT ON ENCLOSURE

INSERT TEXT

SCHRADER ELECTRONICS RTPMS  
 MADE IN UK, PAT PENDING  
 RAQP/13A/0311/S(11-0378)  
 FCC ID: MRXNG34S M: NG34S  
 IC: 2546A-NG34S



EUROPEAN RF  
 APPROVAL SYMBOL  
 (3mm HEIGHT MIN)

LITHIUM BATTERY SYMBOL  
 (8mm HEIGHT MIN)

 SOUTH KOREA RF  
 APPROVAL SYMBOL  
 (3mm HEIGHT MIN)

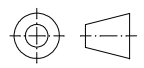
NOTES


UNSPECIFIED TOLERANCES: ±0.2mm

FONT STYLE: ROMANS  
 FONT HEIGHT: 1.5mm  
 CHARACTER HEIGHT AND WIDTH: AS DRAWING  
 LINE THICKNESS: 0.1mm MINIMUM TAPERING AT 45 DEGREES.

TEXT DEPTH: 0.5mm MAX  
 BACKGROUND SURFACE FINISH: POLISHED

|       |  |           |      |             |
|-------|--|-----------|------|-------------|
| 02    | RF APPROVALS INFORMATION ADDED TO INSERT. AUSTRALIAN RF SYMBOL OMITTED | G MCGRORY | 3726 | 08/MAR/2012 |
| 01    | INITIAL DRAWING RELEASE  | R McKEE   | 2775 | 13/SEP/2010 |
| ISSUE | DESCRIPTION  | BY        | ECN  | DATE        |

|  |   |   |
|--|---|---|
| K INDICATES KEY CONTROL CHARACTERISTIC | THIRD ANGLE PROJECTION  | THIS DRAWING IS CONFIDENTIAL AND PROPRIETARY TO SCHRADER ELECTRONICS LIMITED, THE INFORMATION CONTAINED WITHIN IT MAY NOT BE USED, DISCLOSED OR REPRODUCED IN WHOLE OR IN PART, WITHOUT THE EXPRESSED WRITTEN CONSENT OF SCHRADER ELECTRONICS LIMITED. NO RIGHT IS GRANTED TO DISCLOSE OR USE ANY INFORMATION CONTAINED WITHIN THIS DRAWING |
|  |  |   |
| NO. OF KCG ON DRAWING                  | 0   |   |



**SCHRADER ELECTRONICS**

CAD FORMAT PROGECAD 2010  
 THIS IS A CAD PRODUCED DRAWING. DO NOT MANUALLY ALTER

|                     |                 |      |  |   |        |
|---------------------|-----------------|------|--|---|--------|
| DESIGNED BY         | RUSSELL MCKEE   | DATE | 13/SEP/2010  | PART NO.  | N/A    |
| DRAWN BY            | GARETH MC GRORY | DATE | 08/MAR/2012  | MATERIAL  | N/A    |
| CHECKED BY          |                 | DATE |  | FINISH  | N/A    |
| APPROVED BY         |                 | DATE |  | MASS (g)  | N/A    |
| SQA APPROVAL        | N/A             | DATE | N/A  | SIZE  | A4     |
| PRODUCTION APPROVAL | N/A             | DATE | N/A  | SHEET NO.   | 1 OF 1 |
|                     |                 |      |  | SCALE   | 1:1    |
|                     |                 |      |  | DO NOT SCALE  |        |
|                     |                 |      |  | ALL DIMENSIONS IN MILLIMETERS UNLESS OTHERWISE STATED |        |
| TITLE               |                 |      | NISSAN 40700 1AY0A GEN 3.1 433 ENCLOSURE MARKING DETAILS |   |        |
| DRAWING NO.         |                 |      | 90513054   |   | ISSUE  |
|                     |                 |      |  |   | 02     |