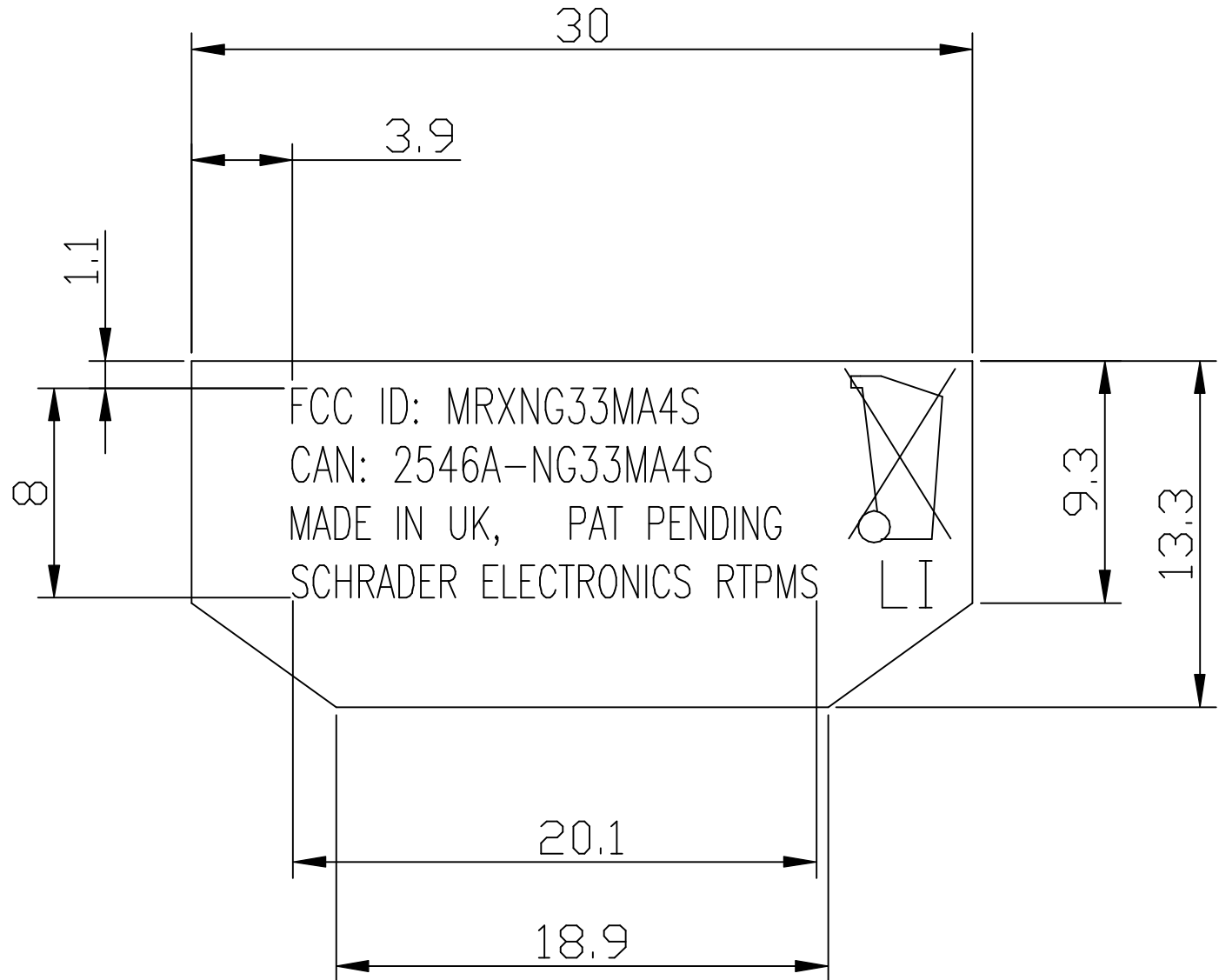


GEN2 ENCLOSURE  
MARKINGS

NISSAN 1AA0A



FONT - ROMANS  
FONT HEIGHT - 1.5MM  
TEXT DEPTH - 0.5MM MAX





Joseph Brunett &lt;jdbrunett@gmail.com&gt;

---

## One-time Exemption request on behalf of Schrader Corporation

---

Desmarais, Nicolas: DEB Lab &lt;Desmarais.Nicolas@ic.gc.ca&gt;

Tue, Feb 26, 2008 at 4:55 PM

To: jbrunett@umich.edu

Dear Mr. Brunett,

We will allow Schrader Electronics to keep their current labelling until their labelling process can be revised.

Best regards,

**Nicolas DesMarais**

Acting Manager, Certification and Market Surveillance  
Industry Canada  
Certification & Engineering Bureau  
Spectrum Engineering  
3701 Carling Avenue, Bldg.94, P.O. Box 11490, Station H  
Ottawa, Ontario K2H 8S2  
(613) 990-5329 Fax: (613) 990-4752  
E-mail: [desmarais.nicolas@ic.gc.ca](mailto:desmarais.nicolas@ic.gc.ca)

Web: <http://strategis.ic.gc.ca/certification>

---

**From:** Joseph Brunett [<mailto:jdbrunett@gmail.com>]**Sent:** Monday, February 25, 2008 11:45 AM**To:** Desmarais, Nicolas: DEB Lab**Subject:** One-time Exemption request on behalf of Schrader Corporation

Mr. Desmarais,

Attached is a one-time exemption request from Schrader Electronics with regard to a minor error in labeling.

They have provided us with samples for a new application. However, we need to resolve this labeling issue before we can forward the application to the TCB. Please let us know if you have any further questions or concerns.

thank you,

Joe Brunett

--

Joseph D. Brunett  
Univ. of Michigan  
NCE# EMC-002790-NE  
351 E. Sherwood Rd.  
Williamston, MI 48895  
Phone: (517) 214-4192  
Fax: (630) 214-4193

---



Manufacturer: Schrader Electronics

IC: 2546A-NG33MA4S

Apparatus: 40700 1AA0A

Dear Sir/Madam

It has come to our attention that Schrader has made a mistake in the Canadian RF approval labelling of the products outlined above. We have used "CAN:" from the old requirement instead of "IC" as outlined by the latest RSS specifications.

We currently have our Canadian approval number moulded into the enclosure and to change the tooling but be a very significant cost to Schrader. Schrader will make the proper modification to the design when the tooling is next revised.

I would appreciate if you could consider our mistake and allow us to continue sale with the products as outlined above.

Regards

A handwritten signature in black ink, appearing to read "Adrian Condon".

---

Adrian Condon  
Schrader Electronics