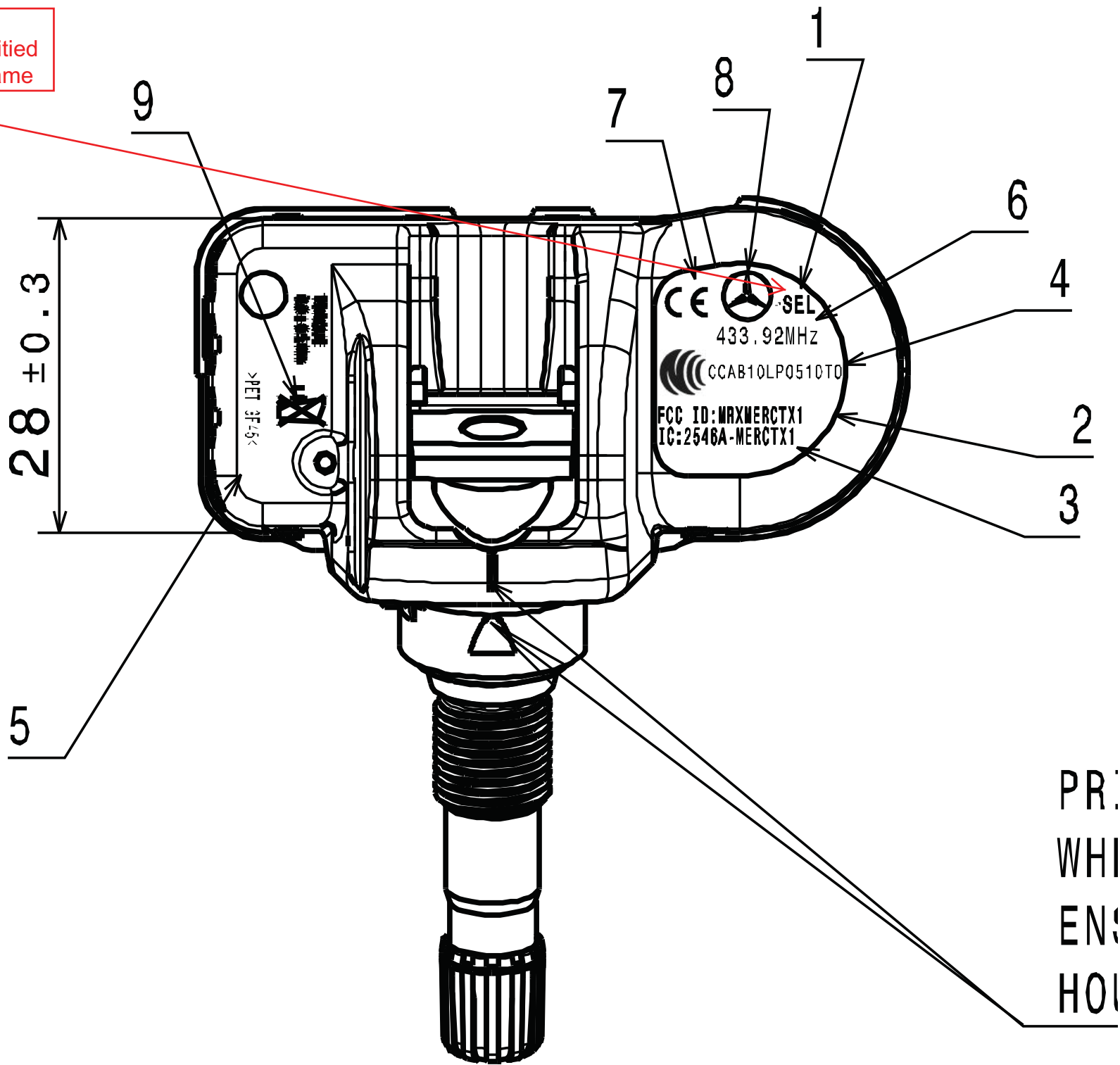


Schrader
Electronics Limited
(SEL) Trade Name



PR:
WHI
ENS
HOU

