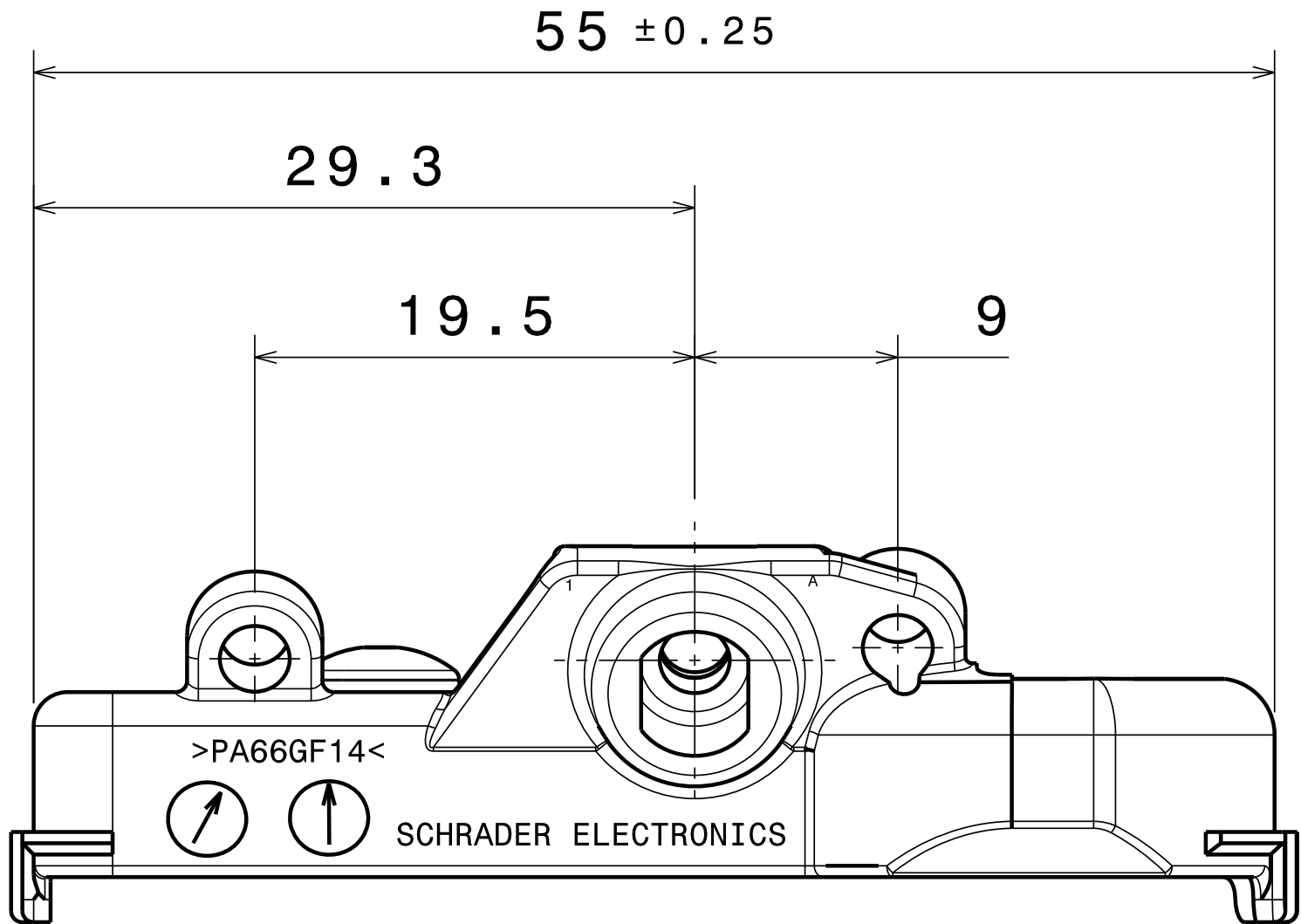


USA & Canada  
Approval Codes  
Model No. and Frequency



ITEMS 1 & 4 OMITTED FROM  
THIS VIEW FOR CLARITY

X