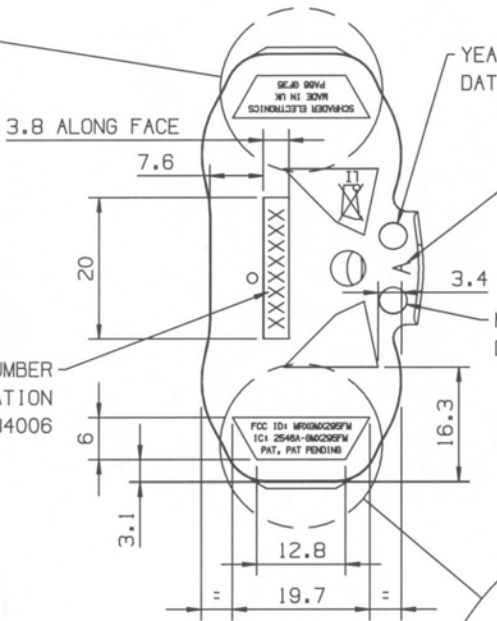


DO NOT SCALE

PAGE 1 OF 1

DRG. No. 90513003

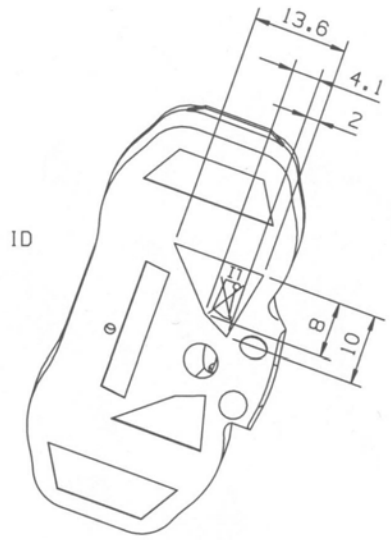


OPTION FOR 8 CAVITY TOOL
 OPTION FOR 4 CAVITY TOOL

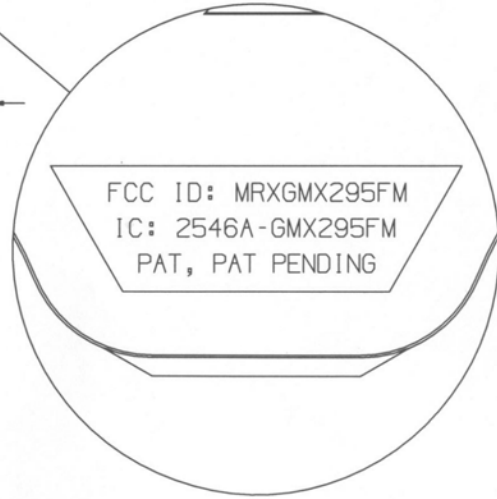
CAVITY NUMBER
 TO BE IN EITHER
 OF THESE LOCATIONS

VIEW A

VALVE STEM CARRIER ID
 TO BE ON THIS FACE



VIEW A
 (NON-RECYCLE SYMBOL ONLY
 SHOWN ON THIS VIEW)



CUSTOMER PART NUMBER
 TEXT DETAILS ON INFORMATION
 MATRIX 90534006

NOTES

- UNSPECIFIED TOLERANCES ±0.2
- FONT STYLE - PATHTRACE STANDARD NUMBERS
- CHARACTER HEIGHT AND WIDTH - AS DRAWING
- LINE THICKNESS - 0.10MM MINIMUM TAPERING AT 45 DEGREES.
- 0.5MM MINIMUM FOR CUSTOMER PART NUMBER TEXT
- TEXT DEPTH - 0.20±0.05MM
- MARKING WINDOW DEPTH - 0.30±0.05MM
- BACKGROUND SURFACE FINISH = POLISHED

ISSUE	DESCRIPTION	ECN	DATE	PART NUMBER	TITLE	DRAWN	CHECKED	APPROVED	DATE	
02	IC INFO CHANGED	0814	13/01/04	N/A	GENJ ENCLOSURE MARKING DETAILS GMX295 DOMESTIC	Jill Will	G. Keathy	S. Stahan	13/1/04	
01	FIRST RELEASE	0809	06/01/04							
						DRAWING No.		90513003		

1 2 3 4 5 6 7 8 9 10