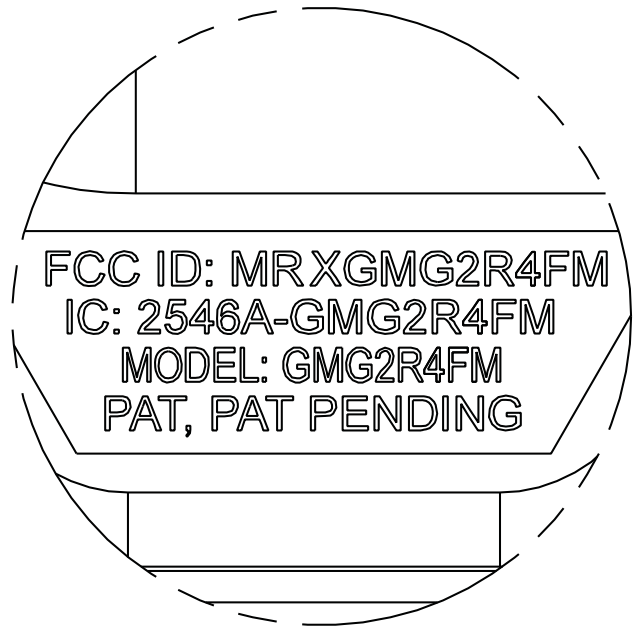
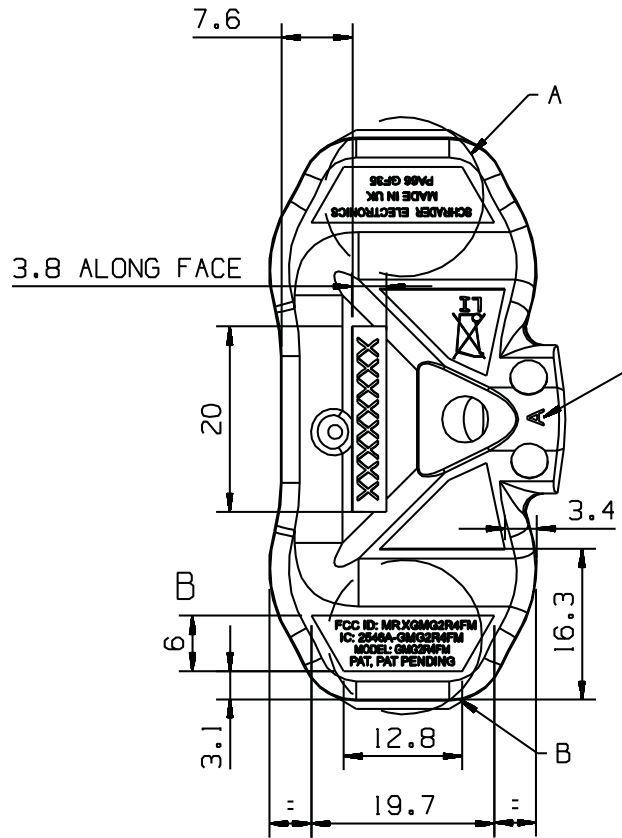




DETAIL A



DETAIL B

NOTES

FRONT STYLE - PATHTRACE STANDARD NUMBERS