

7.6

A



SCHRODER ELECTRONICS
MADE IN UK
PAB3 GPS3S

3.8 ALONG FACE

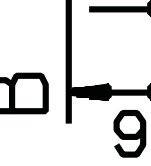


ÚP KÁ Ě Ě F Ě

20

3.4

B



16.3

FCC ID: MFXGANGR3PM
IC: 2548A-GANGR3PM
PAT. PAT PENDING

3.1

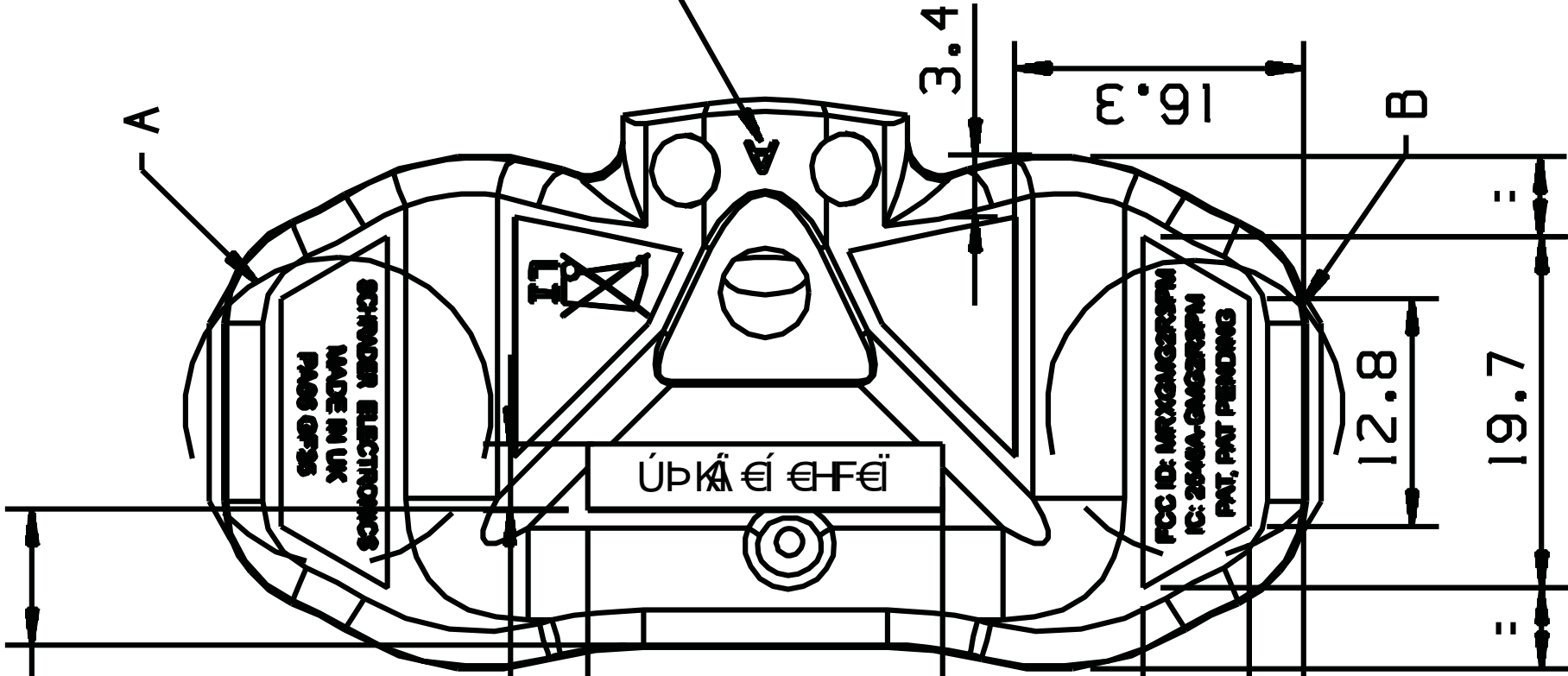
12.8

B

19.7

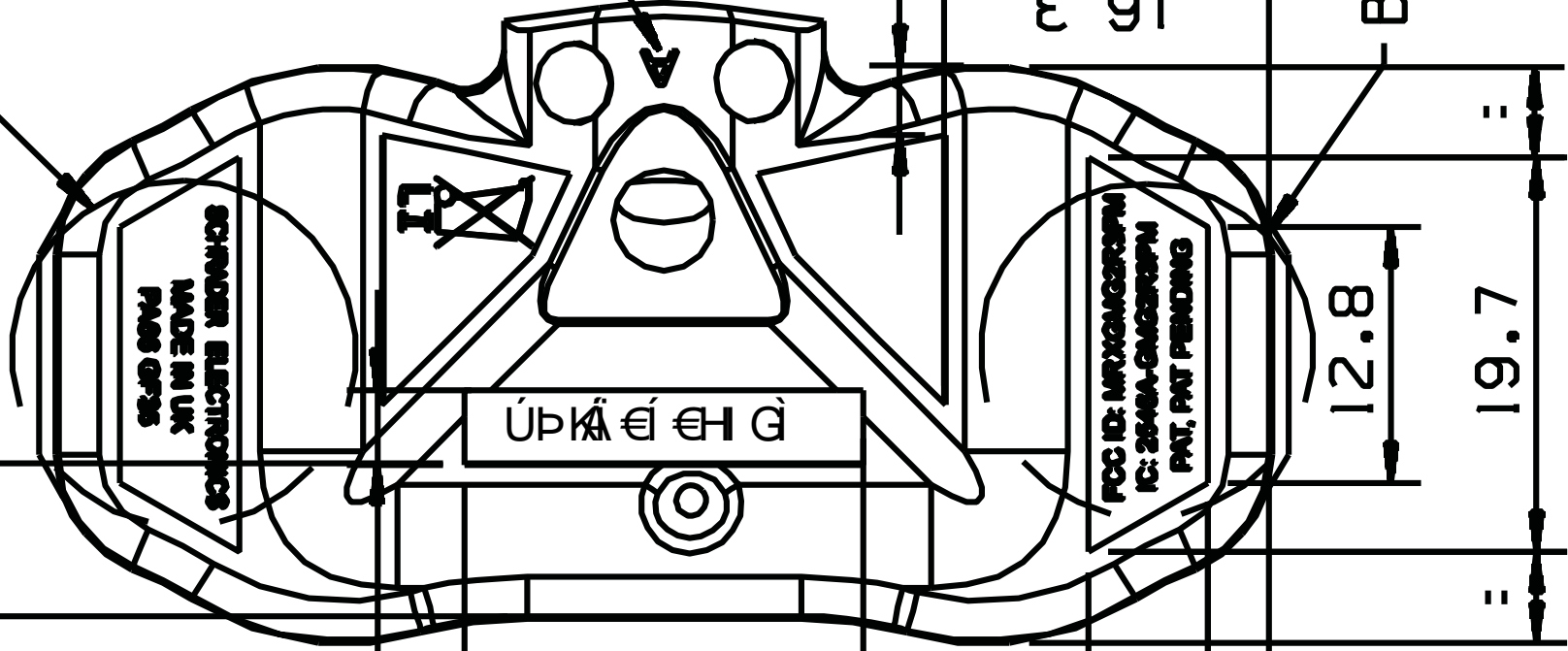
=

=



7.6

A



SCHMIDT ELECTRONICS
MADE IN UK
PASS GPS

ÚP KÁ Ě Ě H Ě

FCC ID: MFXGANGZSPM
IC: 25MBA-GANGZSPM
PAT, PAT PENDING

3.4

16.3

12.8

19.7

3.8 ALONG FACE

20

B

3

3

B

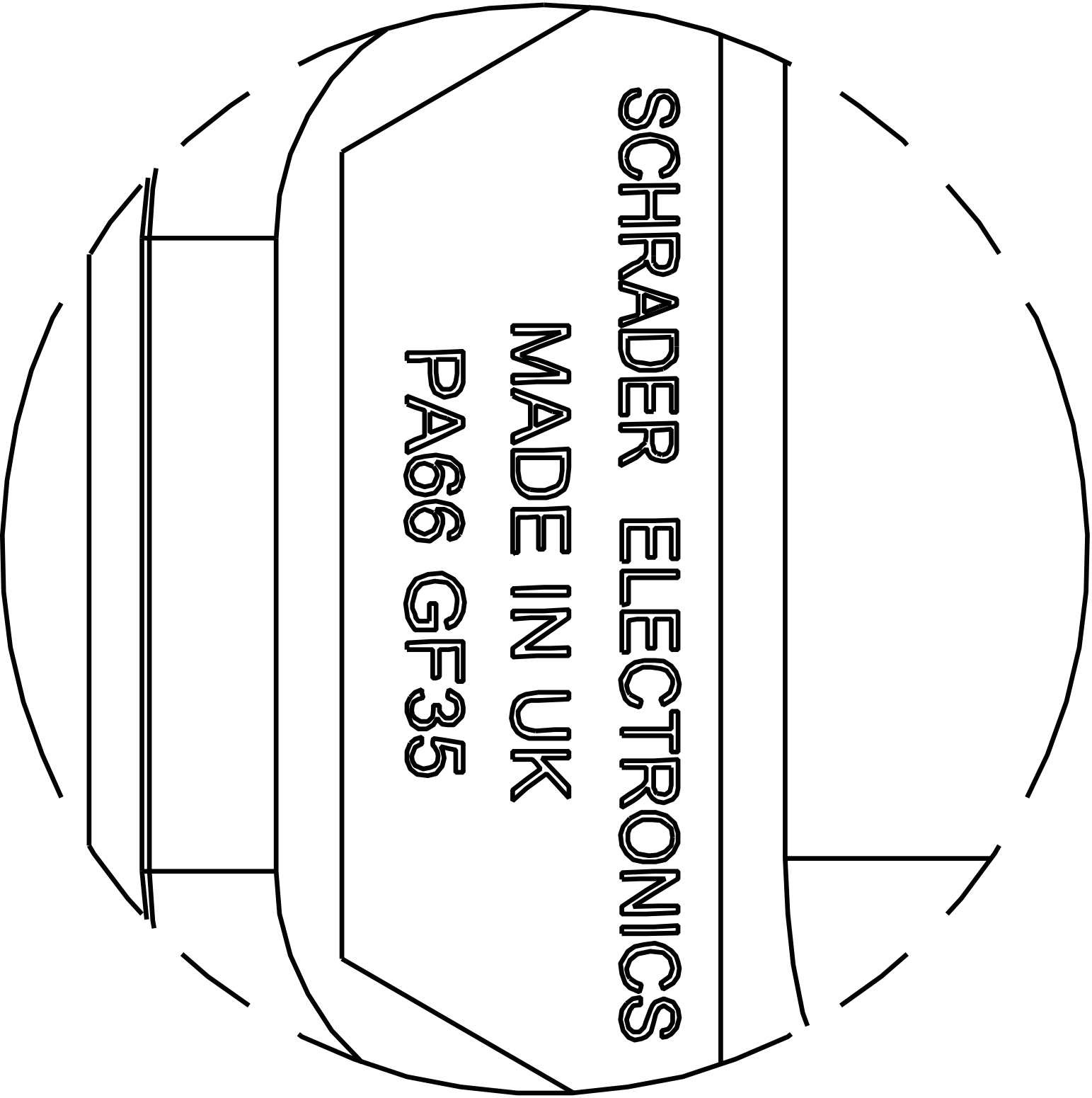
=

=

SCHRADER ELECTRONICS

MADE IN UK

PAGE GF35





FCC ID: MRXGMG2R3PM

IC: 2546A-GMG2R3PM

PAT, PAT PENDING