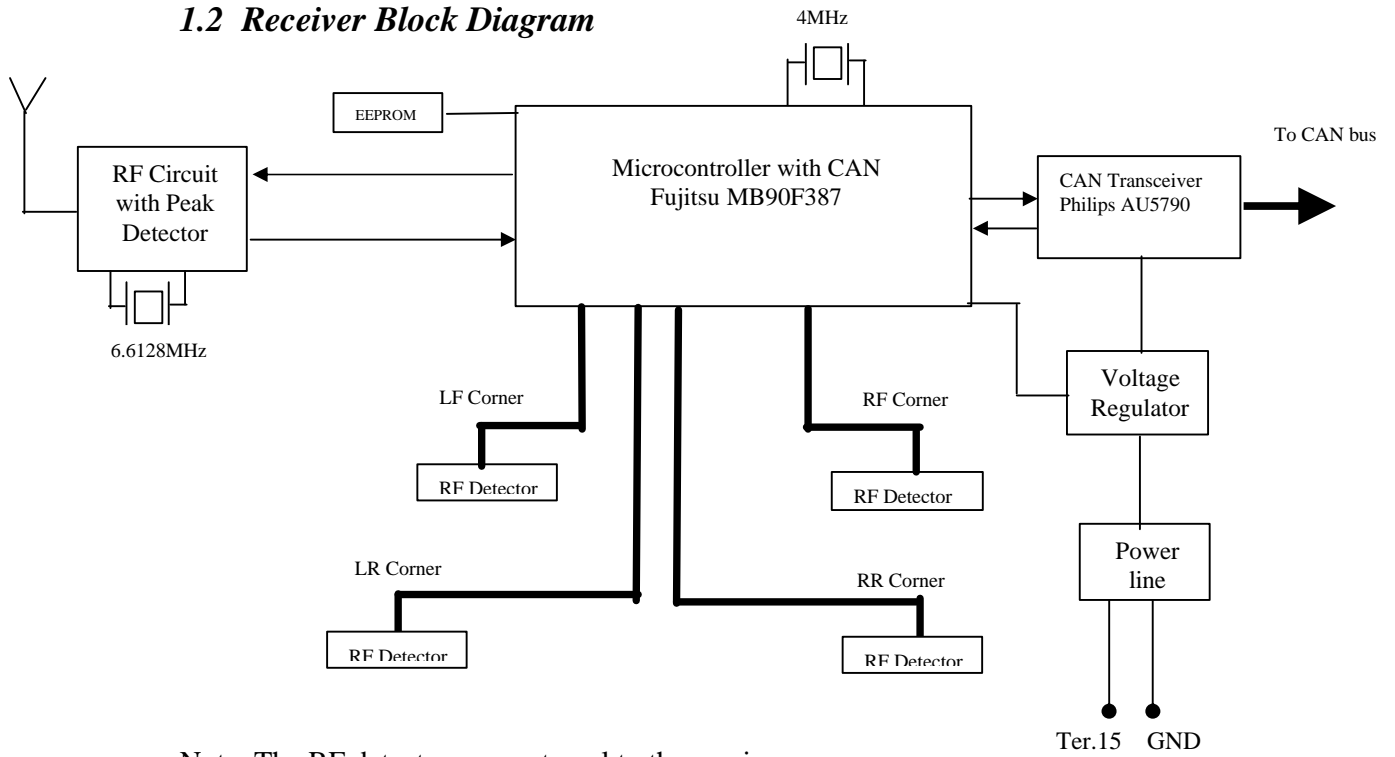


## 1.2 Receiver Block Diagram



Note: The RF detectors are external to the receiver.