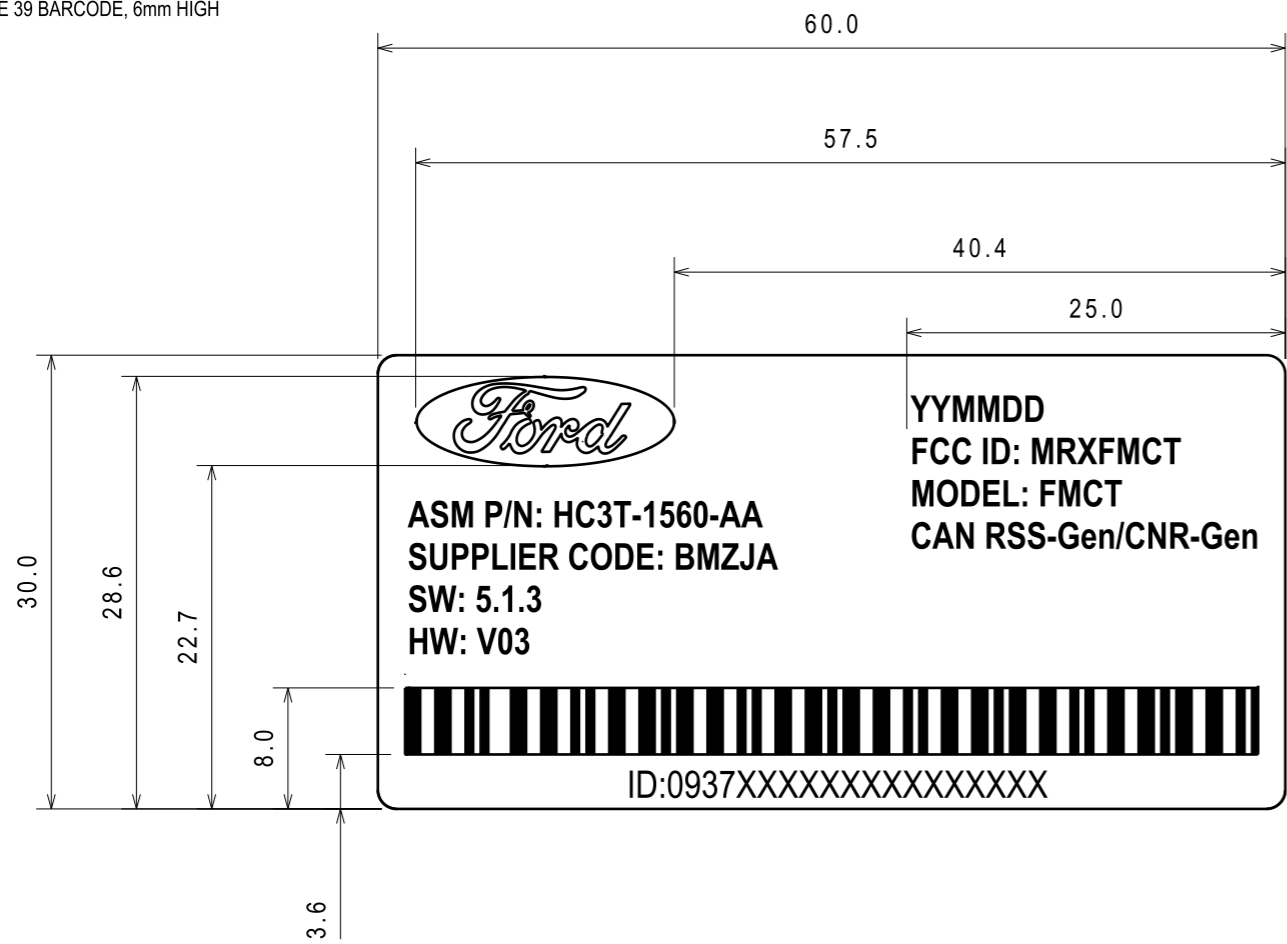
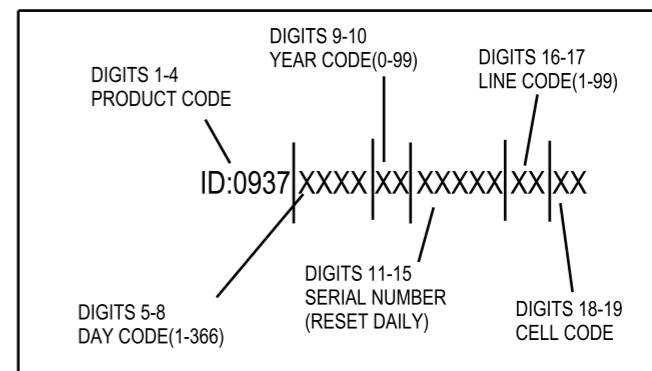


- NOTES:  
 1. ALL DIMENSIONS IN mm  
 2. GENERAL TOLERANCE ±0.25mm  
 3. FONT SIZE TOLERANCES: ±5%  
 4. TYPE 39 BARCODE, 6mm HIGH



ID No. FORMAT



FONT INFORMATION

SIZE	FONT	SIZE mm
ASM P/N: HC3T-1560-AA	ARIAL NARROW - BOLD	1.8
SUPPLIER CODE: BMZJA	ARIAL NARROW - BOLD	1.8
SW: 5.1.3	ARIAL NARROW - BOLD	1.8
HW: V03	ARIAL NARROW - BOLD	1.8
YYMMDD	ARIAL NARROW - BOLD	1.8
MODEL: FMCT	ARIAL NARROW - BOLD	1.8
FCC ID: MRXFMCT	ARIAL NARROW - BOLD	1.8
CAN RSS-Gen/CNR-Gen	ARIAL NARROW - BOLD	1.8

MATERIAL INFORMATION

BLANK LABEL No.: 20546564
MATERIAL: WOODFREE PAPER
FINISH: GLOSS WHITE POLYESTER FILM
COLOUR : WHITE
TEXT: BLACK
INK DETAILS: 64mm x 360m TR6070 GRADE RESIN RIBBON

**DRAFT**

04	SW UPDATED FROM 4.3.0 TO 5.1.3. HW UPDATED FROM V02 TO V03	MM	6489	20/JAN/2016					
ISSUE	CHANGE DESCRIPTION	BY	ECN	DATE					
REFER TO PLM FOR CONTROLLED DATA, CHANGE HISTORY AND APPROVALS									
	THIS DRAWING IS CONFIDENTIAL AND PROPRIETARY OF SCHRADER ELECTRONICS LIMITED. THE INFORMATION CONTAINED WITHIN IT MAY NOT BE USED, DISCLOSED OR REPRODUCED IN WHOLE OR IN PART, WITHOUT THE EXPRESSED WRITTEN CONSENT OF SCHRADER ELECTRONICS LIMITED. NO RIGHT IS GRANTED TO DISCLOSE OR USE ANY INFORMATION CONTAINED WITHIN THIS DRAWING.	THIRD ANGLE PROJECTION	TOTAL CONTROL CHARACTERISTICS REF DOCUMENT: D100079		GENERAL TOLERANCE UNLESS OTHERWISE SPECIFIED .X ±0.2 .XX ±0.05 .XXX ±0.01 ANGULAR ±1°				
			<table border="1"> <tr> <td>K</td> <td>0</td> <td>CC</td> <td>0</td> </tr> <tr> <td>SC</td> <td>0</td> <td>VD</td> <td>0</td> </tr> </table>	K		0	CC	0	SC
K	0	CC	0						
SC	0	VD	0						
HARD COPY IS UNCONTROLLED PRINTED FOR REFERENCE ONLY		PART NO.		PART ISSUE	DO NOT SCALE				
SEE NOTES		20546101261		N/A					
FINISH		TITLE							
SEE NOTES		FORD TRAILER ECU MODULE LABEL							
MASS (g)	SIZE	SHEET NO.	SCALE	DRAWING NO	DRAWING ISSUE				
N/A	A3	1 OF 1	1:1	00003442	04				

LABEL LOCATION



FCC ID:MRXFMCT  
MODEL:FMCT  
CAN RSS-Gen/CNR-Gen