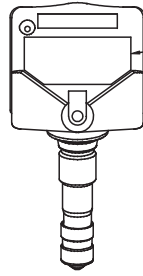
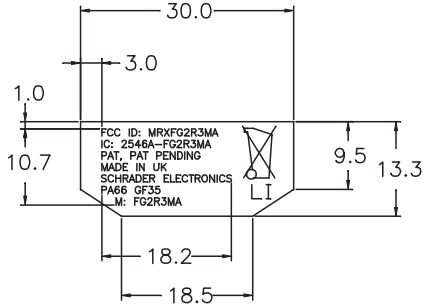


DRAFT



POSITION OF INSERT ON ENCLOSURE



LABEL TEXT  
 FCC ID: MRXFG2R3MA  
 IC: 2546A-FG2R3MA  
 PAT, PAT PENDING  
 MADE IN UK  
 SCHRADER ELECTRONICS  
 PA66 GF35  
 M: FG2R3MA

NOTES

UNSPECIFIED TOLERANCES ±0.2 MM

FONT STYLE - ROMANS  
 FONT HEIGHT - 1.5 MM  
 CHARACTER HEIGHT AND WIDTH - AS DRAWING  
 LINE THICKNESS - 0.10MM MINIMUM TAPERING AT 45 DEGREES.

TEXT DEPTH - 0.5 MM MAX  
 BACKGROUND SURFACE FINISH = POLISHED

02		ADDITION OF MODEL NUMBER (M) TO LABEL TEXT		R McKEE	XXXX	22/APR/2011
01		INITIAL RELEASE		R McKEE	2976	11/FEB/2011
ISSUE		DESCRIPTION		BY	ECN	DATE
(K) INDICATES KEY CONTROL CHARACTERISTIC NO. OF KCC ON DRAWING <b>0</b>		<b>THIRD ANGLE PROJECTION</b> 		THIS DRAWING IS CONFIDENTIAL AND PROPRIETARY TO SCHRADER ELECTRONICS LIMITED, THE INFORMATION CONTAINED WITHIN IT MAY NOT BE USED, DISCLOSED OR REPRODUCED IN WHOLE OR IN PART, WITHOUT THE EXPRESSED WRITTEN CONSENT OF SCHRADER ELECTRONICS LIMITED. NO RIGHT IS GRANTED TO DISCLOSE OR USE ANY INFORMATION CONTAINED WITHIN THIS DRAWING		
DESIGNED BY		RUSSELL McKEE	DATE	08/FEB/2011	PART NO.	N/A
DRAWN BY		RUSSELL McKEE	DATE	22/APR/2011	MATERIAL	N/A
CHECKED BY			DATE		FINISH	SEE NOTES
APPROVED BY			DATE		MASS (g)	N/A
SQA APPROVAL		N/A	DATE	N/A	SIZE	A4
PRODUCTION APPROVAL		N/A	DATE	N/A	SHEET NO.	1 OF 1
					SCALE	1:1
					DO NOT SCALE ALL DIMENSIONS IN MILLIMETERS UNLESS OTHERWISE STATED	
					TITLE FORD GEN2 MAXELL 315MHZ ENCLOSURE MARKING DETAILS	
					DRAWING NO. <b>90513068</b>	
					ISSUE <b>02</b>	



CAD FORMAT PROGECAD 2010  
 THIS IS A CAD PRODUCED DRAWING. DO NOT MANUALLY ALTER