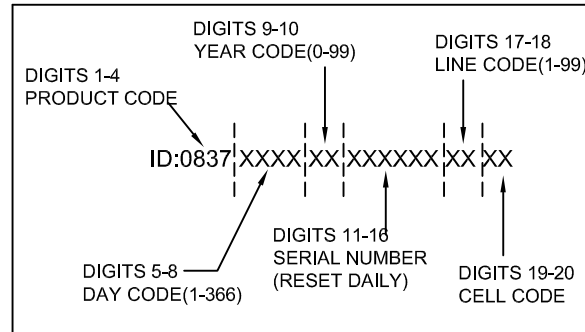


ID No. FORMAT

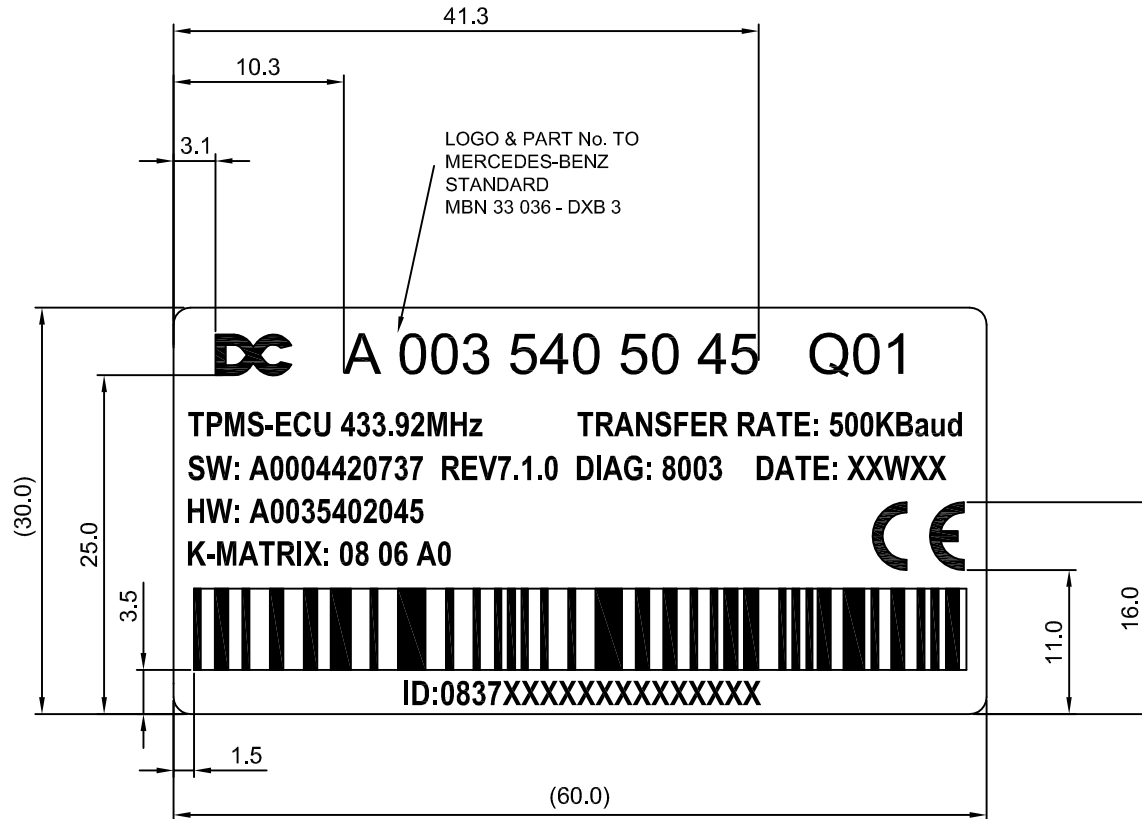


FONT INFORMATION

TEXT	FONT	SIZE mm
A 003 540 50 45 Q01	ARIAL	3.0
TPMS-ECU 433.92MHz	ARIAL NARROW - BOLD	1.8
TRANSFER RATE: 500KBaud	ARIAL NARROW - BOLD	1.8
DATE: YY W WW	ARIAL NARROW - BOLD	1.8
HW:A0035402045	ARIAL NARROW - BOLD	1.8
SW:A0004420737 REV7.1.0	ARIAL NARROW - BOLD	1.8
DIAG: 8003	ARIAL NARROW - BOLD	1.8
K-MATRIX: 08 06 A0	ARIAL NARROW - BOLD	1.8
Tested to comply with FCC standards	ARIAL	1.2

MATERIAL INFORMATION

BLANK LABEL No.: 20546564
MATERIAL: WOODFREE PAPER
FINISH: GLOSS WHITE POLYESTER FILM
COLOUR : WHITE
TEXT: BLACK
INK DETAILS: 64mm x 360m TR6070 GRADE RESIN RIBBON

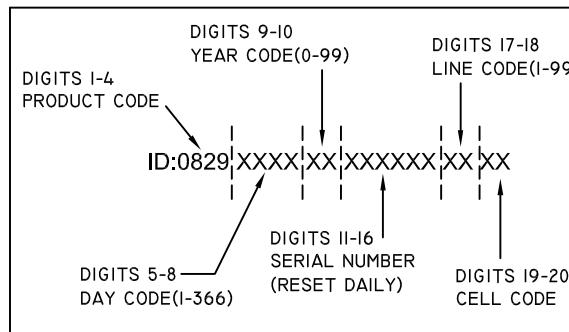


NOTES:

1. ALL DIMENSIONS IN mm
2. GENERAL TOLERANCE  $\pm 0.25$ mm
3. FONT SIZE TOLERANCES:  $\pm 5\%$
4. TYPE 39 BARCODE, 6mm HIGH

04	FCC SYMBOL REMOVED	1777	02-04-08	PART NUMBER  20546648	TITLE MERCEDES BR212 CORAX ECU LABEL	DRAWN SMCG	CHECKED	APPROVED	DATE 02-04-08	
03	SW RELEASE CHANGE	1749	22/02/08							
02	SW RELEASE CHANGE	1733	08/02/08							
01	INITIAL RELEASE	1695	18/12/07							
ISSUE	DESCRIPTION	ECN	DATE							
						DRAWING No.		20546648		

ID No. FORMAT



FONT INFORMATION

TEXT	FONT	SIZE mm
56029401AD	ARIAL	4.0
TPMS-ECU 433.92MHz	ARIAL NARROW - BOLD	1.8
TRANSFER RATE: 500KBaud	ARIAL NARROW - BOLD	1.8
DATE: DDMMYY	ARIAL NARROW - BOLD	1.8
HW: YYWW PATCH No.	ARIAL NARROW - BOLD	1.8
SW:56029401AD - 07 00 00	ARIAL NARROW - BOLD	1.8
DIAG: 0102	ARIAL NARROW - BOLD	1.8
VMM: YYWW PATCH No.	ARIAL NARROW - BOLD	1.8
Tested to comply with FCC standards	ARIAL	1.2

MATERIAL INFORMATION

BLANK LABEL No.: 20546564
MATERIAL: WOODFREE PAPER
FINISH: GLOSS WHITE POLYESTER FILM
COLOUR : WHITE
TEXT: BLACK
INK DETAILS: 64MM x 360M TR6070 GRADE RESIN RIBBON

LOGO TO DAIMLERCHRYSLER  
STANDARD MBN 33 036 - DXB 4

**DC 56029401AD**


TPMS-ECU 433.92MHz      TRANSFER RATE: 500KBaud  
 SW: 56029401AD - 07 00 00      DIAG:0102      DATE:XXXXXX  
 HW: 0736 03  
 VMM: 0729 FF

**ID:0829XXXXXXXXXXXXXXXXXX**

- NOTES:
1. ALL DIMENSIONS IN mm
  2. GENERAL TOLERANCE ±0.25mm
  3. FONT SIZE TOLERANCES: ±5%
  4. TYPE 39 BARCODE, 6mm HIGH

07	FCC SYMBOL REMOVED	1777	02/4/08
06	SOFTWARE UP-ISSUED TO 56029401AD	1767	17/3/08
05	SW, HW, VMM AND DIAG DETAILS ADDED	1712	15/1/08
04	SOFTWARE UP-ISSUED TO 56029401AC REV 6.0	1695	08/1/08
03	SOFTWARE UP-ISSUED TO 56029401AB	1616	25/9/07
02	CUSTOMER PART No. CHANGED. 2D DATA MATRIX REMOVED	1576	02/8/07
01	INITIAL RELEASE	1559	27/6/07
ISSUE	DESCRIPTION	ECN	DATE

PART NUMBER	TITLE	DRAWN	CHECKED	APPROVED	DATE	
		SMCG			02/04/08	
20546563		DCA CORAX		ECU LABEL		
DRAWING No.				20546563		

A black, rectangular electronic component, possibly a sensor or actuator, is shown from a top-down perspective. The component has a textured surface and several features: a circular hole on the top-left corner, a larger circular hole on the bottom-right corner, and a cylindrical protrusion on the bottom-left side. A white rectangular box is drawn on the top surface, indicating the location for a label. The text "Label Location" is centered within this box. The component is resting on a light-colored, textured surface.

Label Location

