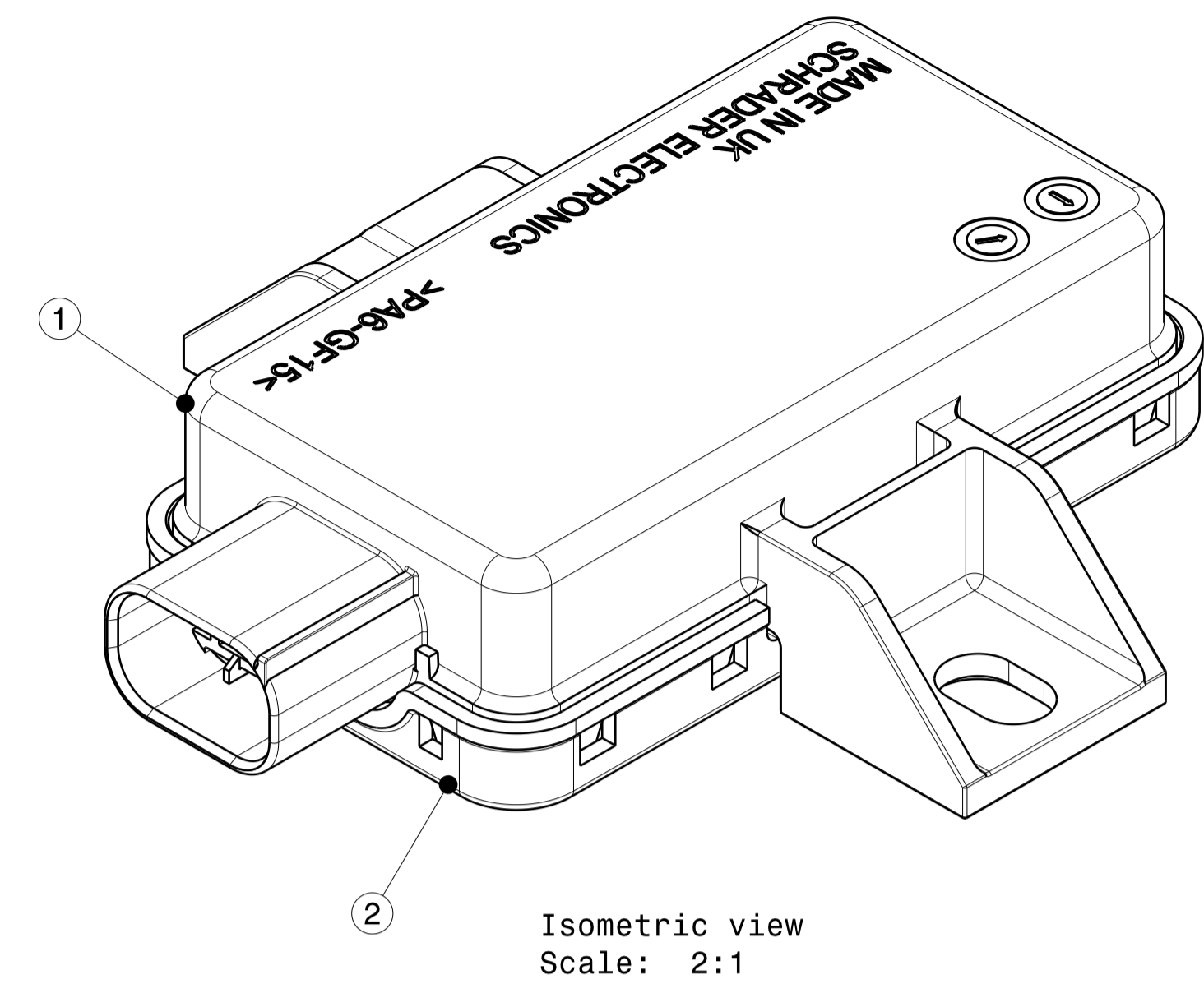


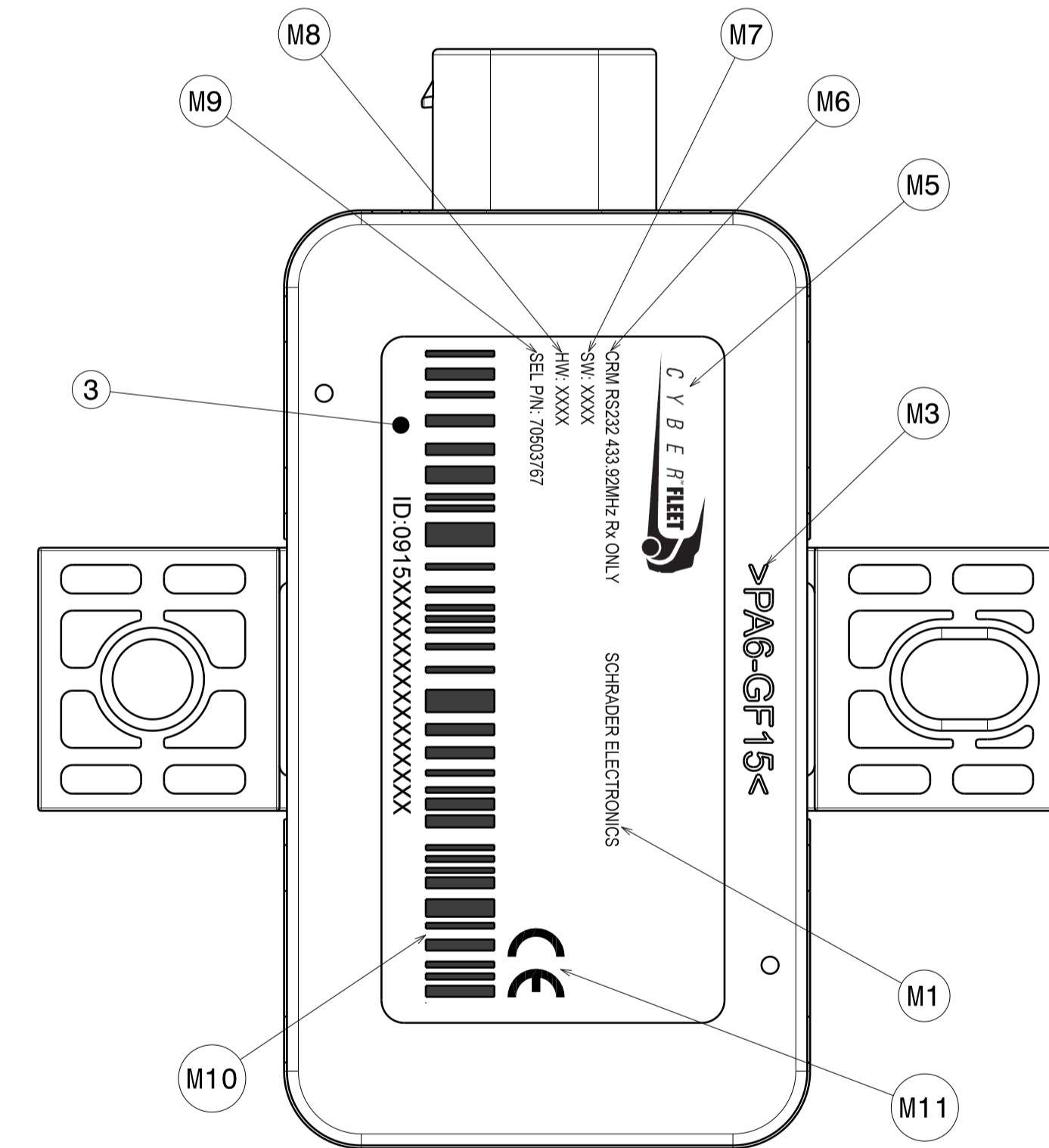
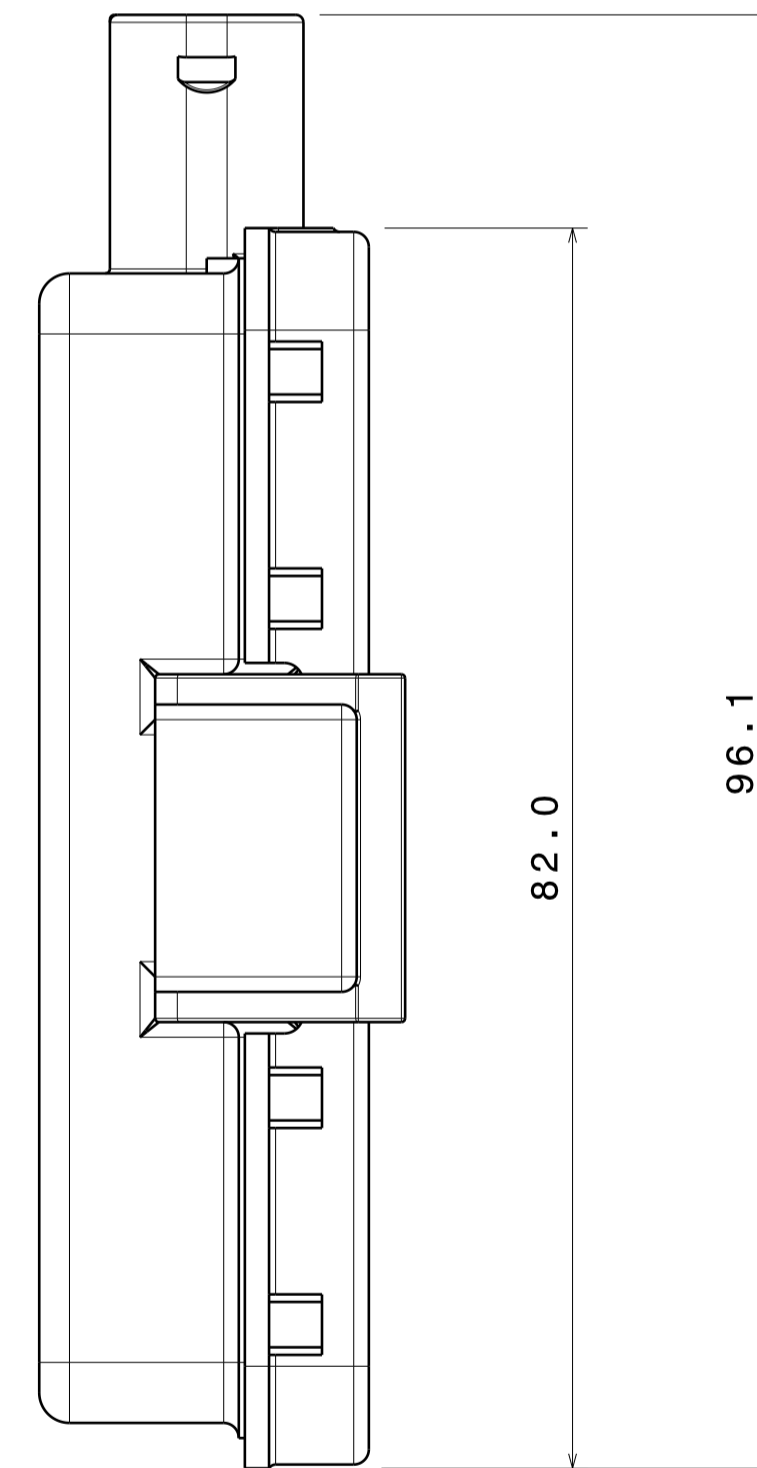
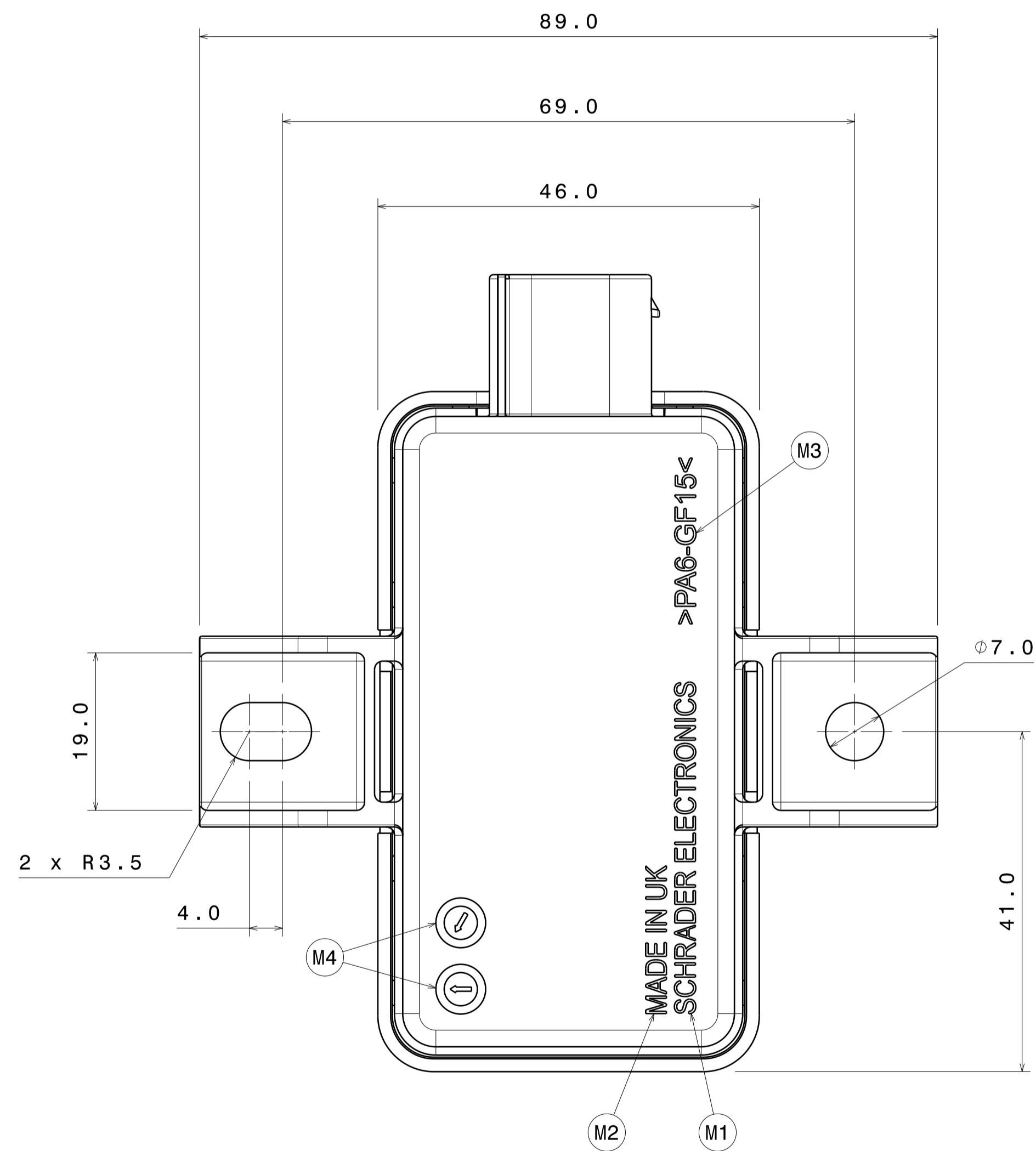
CONNECTOR SOCKET TO SUIT
AMP PART No. 1-967670-1
DELPHI PART No. 13542816

PIN	DESCRIPTION
1	BATTERY +ve
2	GROUND
3	CAN HIGH
4	CAN LOW



Isometric view
Scale: 2:1

DRAFT



NOTES:

- UNMARKED DIMENSIONS AND RADII MAY BE MEASURED FROM THE 3D MODEL - APPLY GENERAL TOLERANCES AS SPECIFIED.
- ALL COMPONENT SURFACES WILL HAVE A SURFACE FINISHED OF SPI GRADE B1.
- KCC (KEY CONTROLL CHARACTERISTICS) SHOULD BE CHECKED IN ACCORDANCE WITH SQA SCHEDULES.
- MAXIMUM OPERATING TEMPERATURE +105°C.
- MODULE TO BE FITTED ON A FLAT PLANAR SURFACE, MAXIMUM VERTICAL OFFSET 2mm.
- MINIMUM NUT ASSEMBLY TORQUE 4.5Nm.
- REFERENCE SCHRADER TPMS INSTALLATION GUIDELINES: ENG-WI-023.
- MODULE MUST PASS END OF LINE TESTS DETAILED IN SCHRADER PRODUCTION TEST SPECIFICATION: 90514310.

TABLE 1: CORAX PART LIST

ITEM	DESCRIPTION	MATERIAL	NOTES
3	LABEL	PAPER	WHITE
2	CORAX LID & SEAL Moulding	SEAL:TPE	BLACK
		LID:PA6-GF15	BLACK
1	CORAX ENCLOSURE ASSEMBLY	ANTENNAE:BRASS	PLATING:TIN OVER NICKEL
		CONNECTOR PINS:BRASS	PLATING:TIN OVER NICKEL
		ENCLOSURE:PA6-GF15	BLACK

TABLE 2: CORAX MARKINGS

M11	EUROPEAN APPROVAL	(CE SYMBOL)
M10	BARCODE (inc READABLE ID No.)	-
M9	SEL PART NUMBER	70503767
M8	HARDWARE NUMBER	XXXX
M7	SOFTWARE NUMBER	XXXX
M6	FREQUENCY	CRM RS232 433.92MHz Rx ONLY
M5	CYBER FLEET TRADE MARK	(CYBER FLEET SYMBOL)
LABEL INFORMATION		
M4	DATE CLOCKS	-
M3	MATERIAL (ENCLOSURE & LID)	>PA6-GF15<
M2	PLACE OF MANUFACTURE	MADE IN UK
M1	MANUFACTURER	SCHRADER ELECTRONICS
ITEM	DESCRIPTION	CHARACTERS

01	INITIAL RELEASE	JC	XXXX	15/MAY/2014
ISSUE	DESCRIPTION	BY	ECH	DATE
0	THIS DRAWING IS CONFIDENTIAL AND PROPRIETARY TO SCHRADER ELECTRONICS LIMITED. THE INFORMATION CONTAINED HEREIN IS NOT TO BE USED, REPRODUCED OR REPRODUCED IN WHOLE OR IN PART, WITHOUT THE EXPRESS WRITTEN CONSENT OF SCHRADER ELECTRONICS LIMITED. NO RIGHT IS GRANTED TO DISCLOSE OR USE ANY INFORMATION CONTAINED HEREIN FOR ANY PURPOSE.			
DESIGNED BY	JONATHAN CALVERT	DATE	14/MAY/2014	PART NO.
DRAWN BY	JONATHAN CALVERT	DATE	14/MAY/2014	70503767
CHECKED BY		DATE		SEE TABLE
APPROVED BY		DATE		SEE TABLE
SA APPROVAL	N/A	DATE	N/A	48 ± 2
PRODUCTION APPROVAL	N/A	DATE	N/A	A1 1 OF 1 5:1
TITLE				DO NOT SCALE
CYBER FLEET CORAX ASSEMBLY				ALL DIMENSIONS IN MILLIMETERS UNLESS OTHERWISE SPECIFIED
DRAWING NO. 70503767				GENERAL TOLERANCE
				ANGULAR ±1°
				SCALE
				SIZE
				SHEET NO.
				DATE
				ISSUE
				01